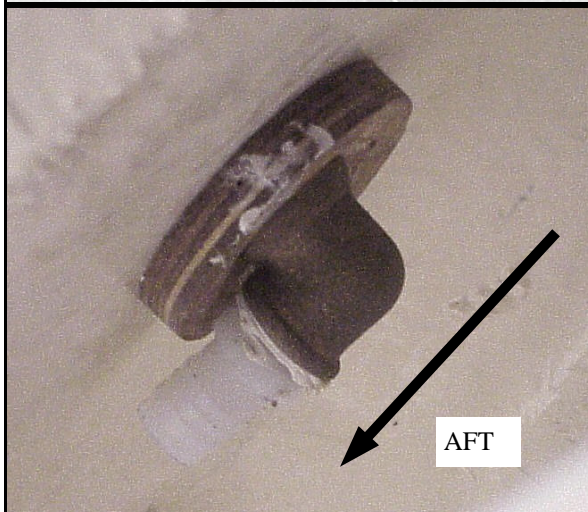
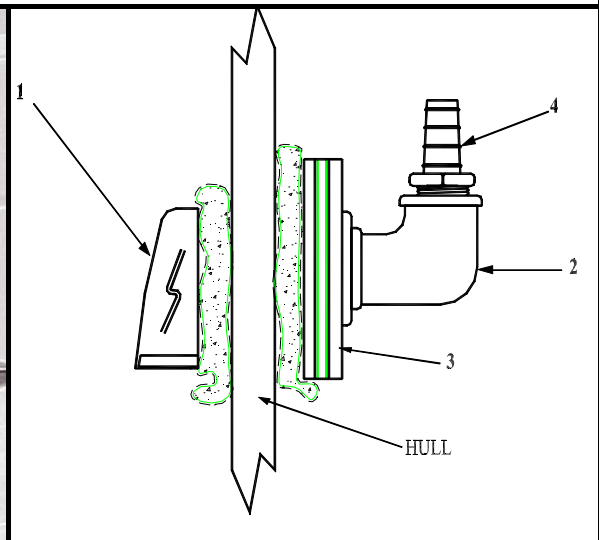
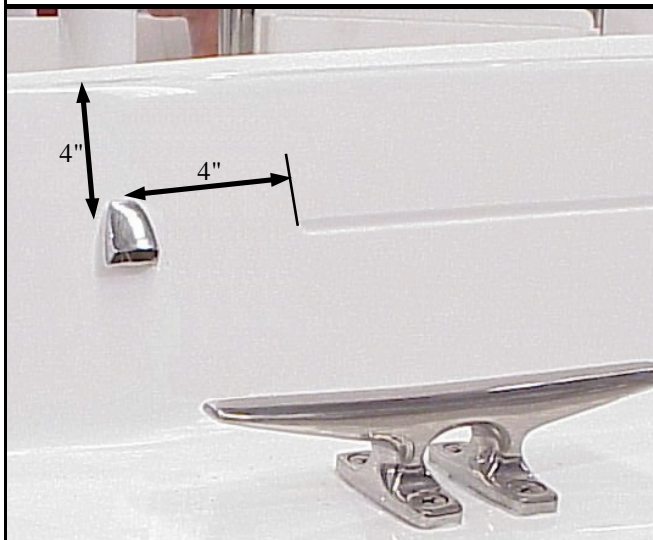


356 SOP WASTE TANK VENT INSTALLATION



| # | #Ea. | Description | Size | Part # |
|---|------|-------------------|----------------------|--------|
| 1 | 1 | Fuel Tank Vent | #503-4 | 353157 |
| 2 | 1 | Brass Elbow | 3/4" | 353157 |
| 3 | 1 | Wood Doughnut | 1/2" | N/A |
| 4 | 1 | Hose Barb Fitting | 1/2" MPT x 3/4" Barb | 355425 |

1. The waste tank vent will be located on the aft-starboard side of the deck. Measure 4" aft of the end of the decorative embossment on the side of the deck (this would be around the aft end of the aft cleat- see picture) and 4" down from the top of the deck. Mark this location.
2. Drill thru the marked location using a 7/8" hole saw.
3. Clean the area and hardware with alcohol.
4. Caulk around the hole on the outside and inside of the hull with 5200 caulk.
5. From the outside of the deck place the vent in position. The vent opening should face down.
6. From the inside of the deck place the 1/2" thick wood doughnut in position.
7. After applying pipe compound to the male threads on the designated elbow secure the vent in place by attaching the elbow (make sure the elbow end faces aft).
8. Coat the male threads on the hose barb fitting with pipe compound then attach the hose barb fitting to the elbow.
9. Clean up all excess caulk with alcohol.

Revision Dates:

Expected Time: 10 min.