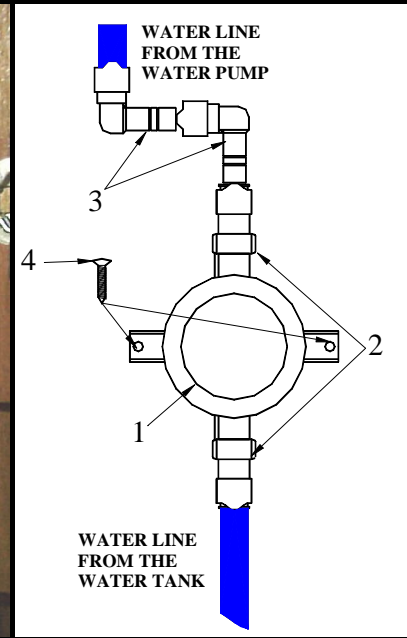


356 SOP WATER STRAINER INSTALLATION



#	#Ea.	Description	Size	Part #
1	1	Water Strainer	36400-1010	352095
2	2	Adapter	1/2"F x 15mm	355237
3	2	Stem Elbow	15mm	355234
4	2	Water Strainer Fastener	#10 x 3/4" P/H	466670

Water Strainer

1. The water strainer will go in the aft-outboard-bottom corner of the cabinet under the galley sink.
2. Apply teflon tape to the male threads on the water strainer then attach the designated adapters to both sides of the water strainer.
3. On the output side of the strainer (there is a water directional arrow on the strainer) connect two stem elbows inline to the adaptor fitting (the drawing shows them for clarity, the picture shows the correct orientation).
4. Connect the water line coming from the fresh water tank to the inlet adapter then connect the stem elbow to the short piece of water line coming from the water pump.
5. The water strainer will not be able to move much because of the rigidity of the water line, mark where the strainer will be mounted on the wall then drill the mounting locations with a 1/8" drill bit and secure the strainer to the wall using the designated fasteners.

Revision Dates:

Expected Time:

Page