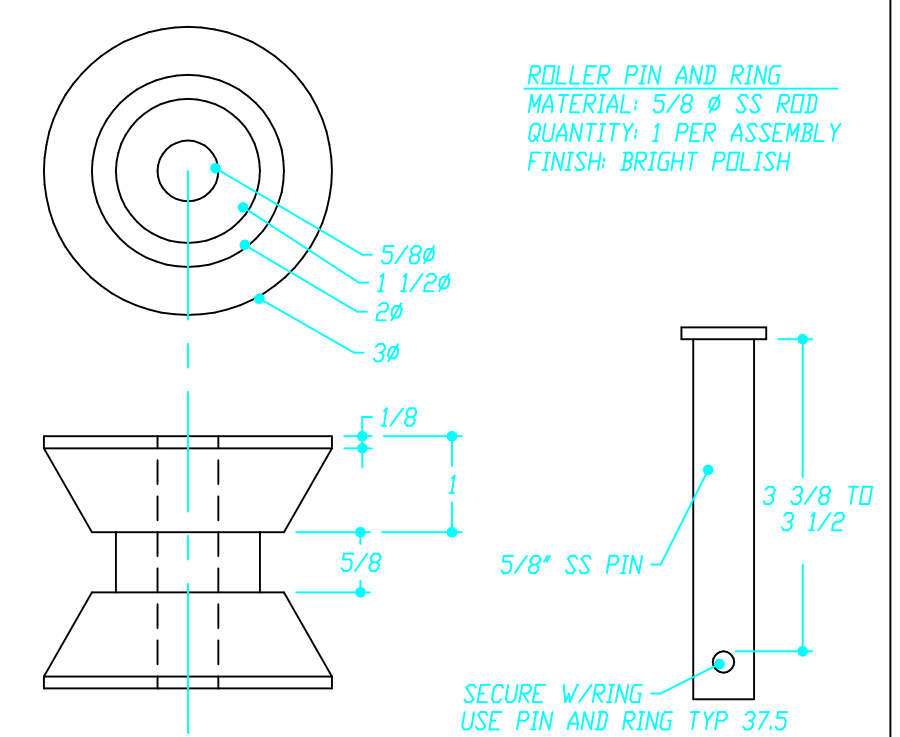


ROLLER
MATERIAL: BELTRIN
QUANTITY: 1 PER ASSEMBLY
FINISH: SMOOTH



ASSEMBLY IS SHOWN AT FULL SCALE — ALL INDIVIDUAL PARTS ARE SHOWN AT 1/2 SCALE —

PROPERTY INFORMATION: This document discloses information for which HUNTER MARINE, LLC, has proprietary rights.		DO NOT SCALE		HUNTER MARINE	
TOLERANCES, UNLESS OTHERWISE SPECIFIED:		FRACTIONAL: ± N/A		DRAWING TITLE: V36 BOW ROLLER	
2 PLACE DECIMAL: ± N/A		3 PLACE DECIMAL: ± N/A		PAPER SIZE: D	
4 PLACE DECIMAL: ± N/A		ANGULAR: ± N/A		DRAWN BY: BRIAN	
BREAK ALL SHARP EDGES, REBAR FINISH: N/A		PLOT SCALE: 1=1		DATE: 4-19-90	
SCALE: 1=1		FINISH: N/A		DRAWING NO: PR3618	
REV. NO.		DATE		SCALE	
A. INCREASE THICK. STRIP 5-15-90				1=1	
B. INCREASE THICK. STRIP 5-15-90				1=1	
C. INCREASE THICK. STRIP 5-15-90				1=1	
D. INCREASE THICK. STRIP 5-15-90				1=1	