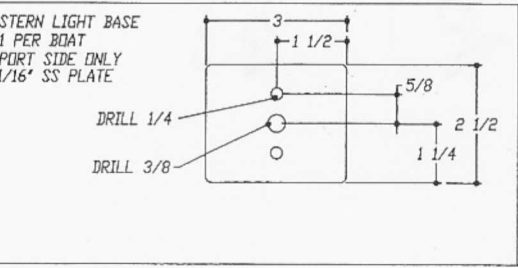
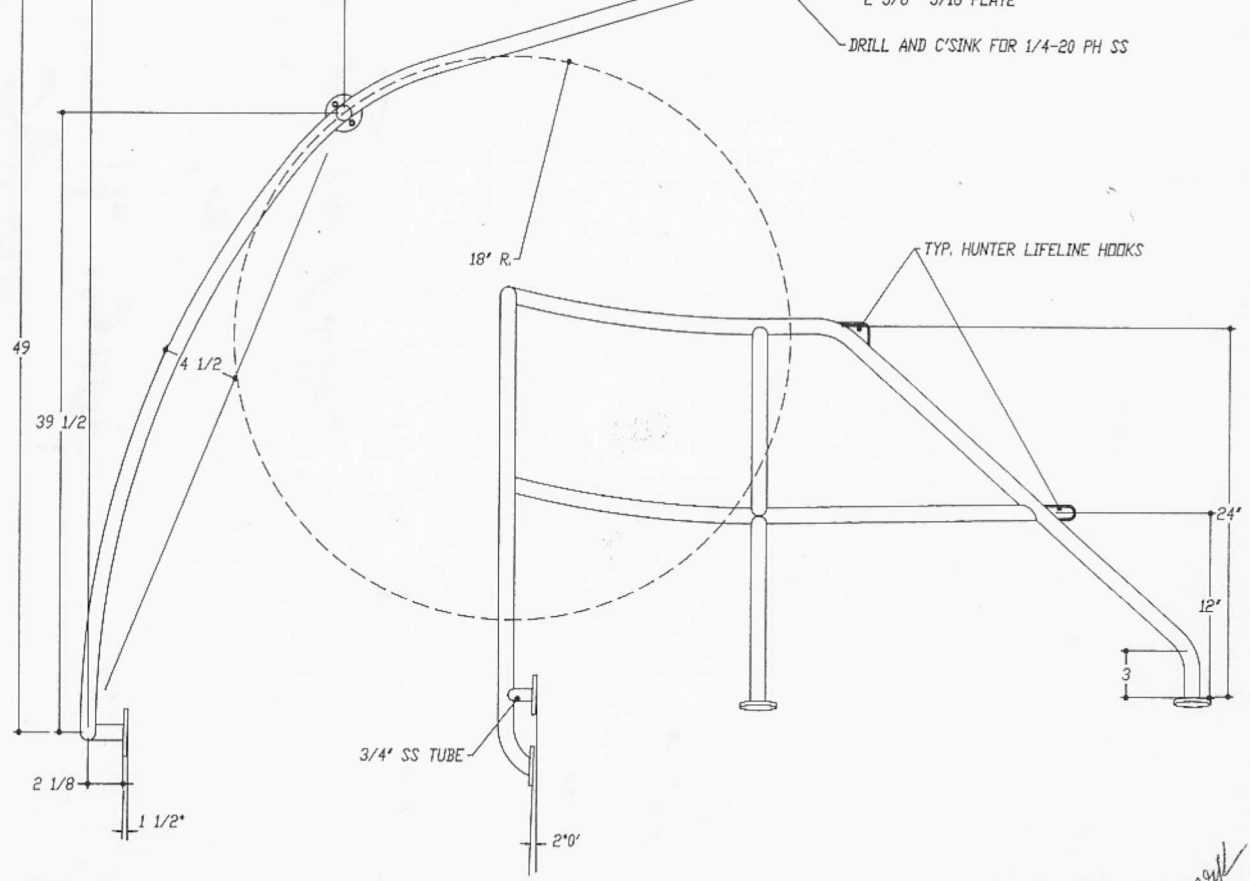
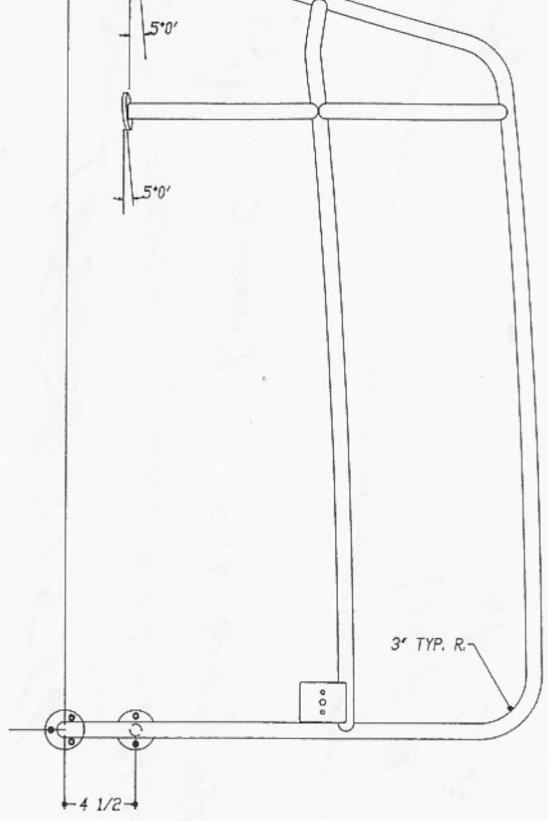



3/16 PLATE
 DRILL AND C'SINK FOR 1/4-20 PH SS



STERN RAIL-V36-PRD0 1 ONLY
 NOTES:
 MATERIALS: 1' 304 SS TUBE
 3/4 304 SS TUBE
 3/16 SS PLATE-2 3/8 Ø
 1/16 PLATE-STERN LIGHT BASE
 1/8 SS ROD-LIFELINE HOLDERS
 QUANTITY: 2 (PORT & STBD) PORT SHOWN-STBD IS
 OPPOSITE HAND
 FINISH: BRIGHT POLISH

PROPRIETARY INFORMATION This document discloses information for which HUNTER MARINE CORP. has proprietary rights.			
DO NOT SCALE		HUNTER 	
DRAWING TITLE V36 STERN RAIL			
PAPER SIZE B	DRAWN BY BRIAN	DATE 5-4-90	SCALE 1 1/2=1
PLOT SCALE 1:25=1	HUNTER PART NO. PR3651	DRAWING NO. V36-B-2011	
SYMBOL	REVISIONS	FINISH N/A	
N/A	PROTOTYPE	N/A	

HW 2301