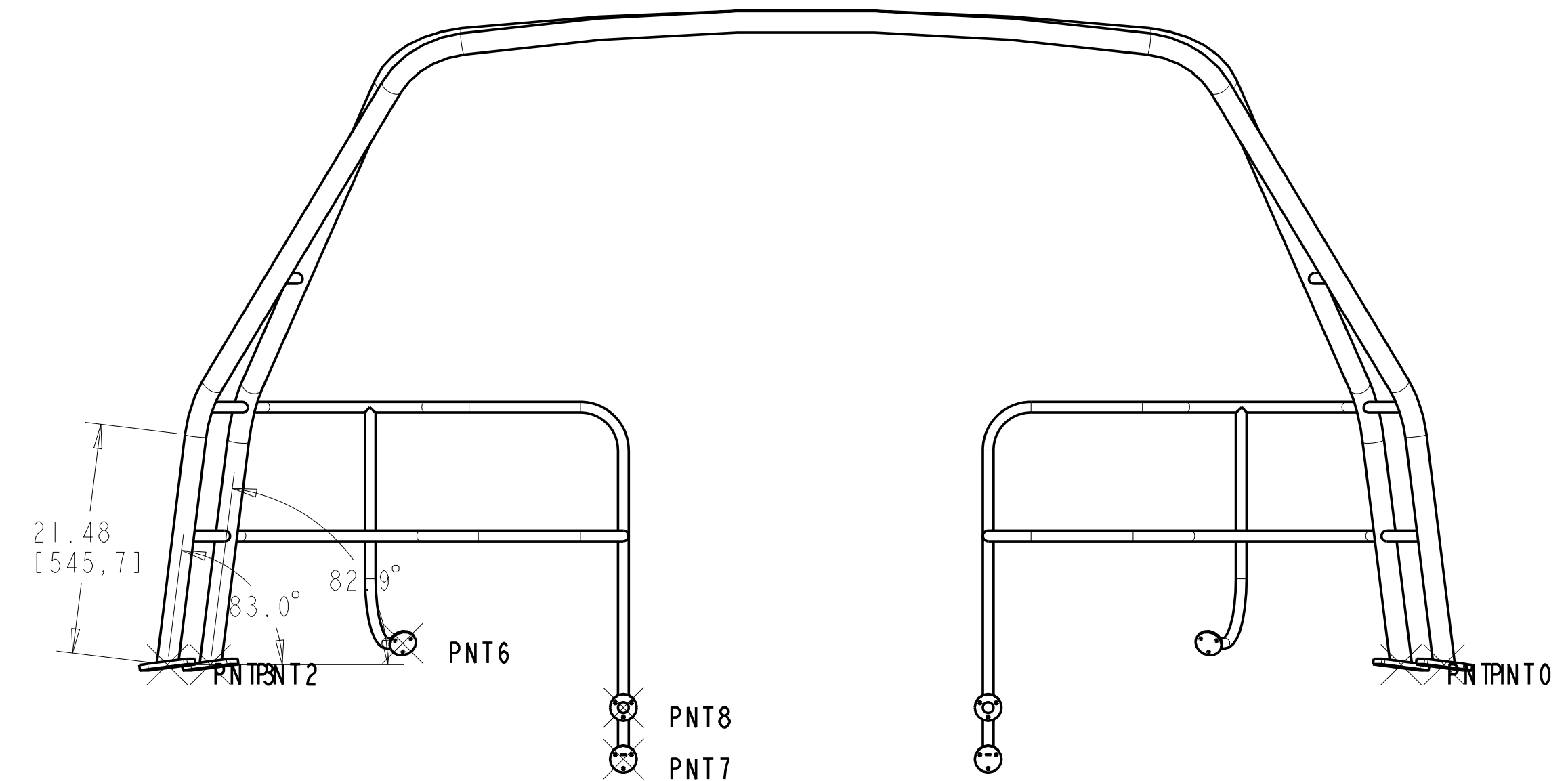
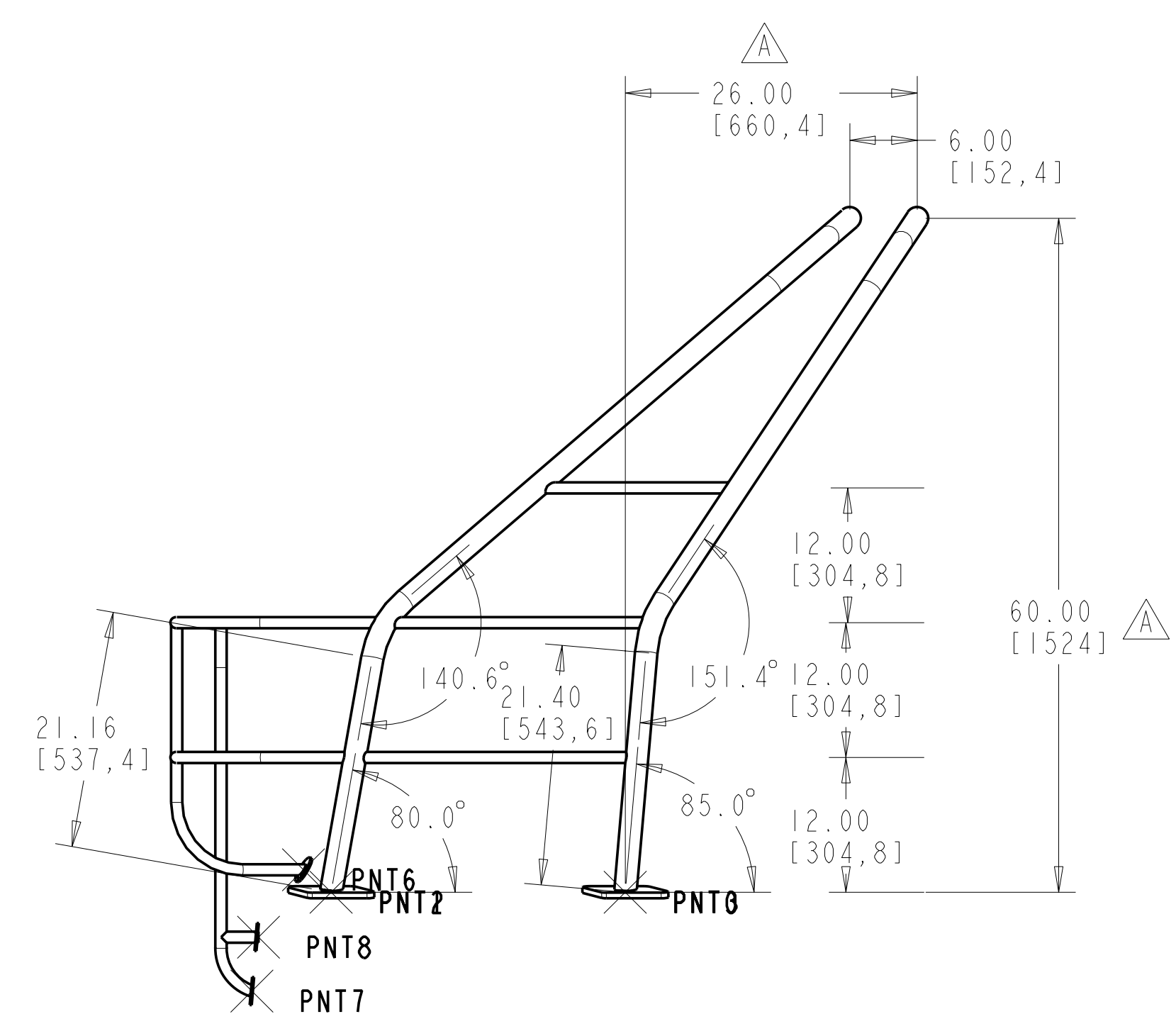
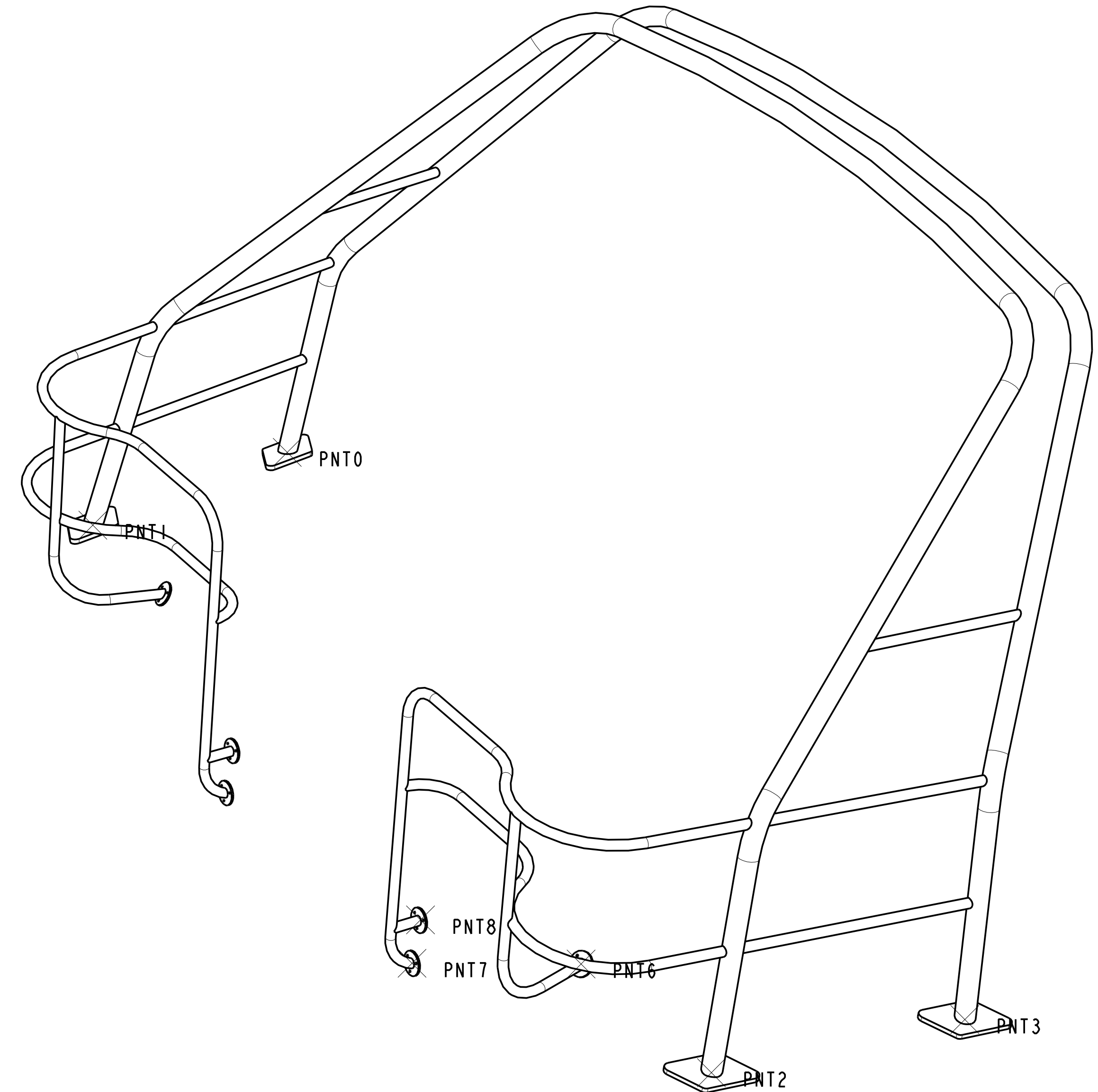
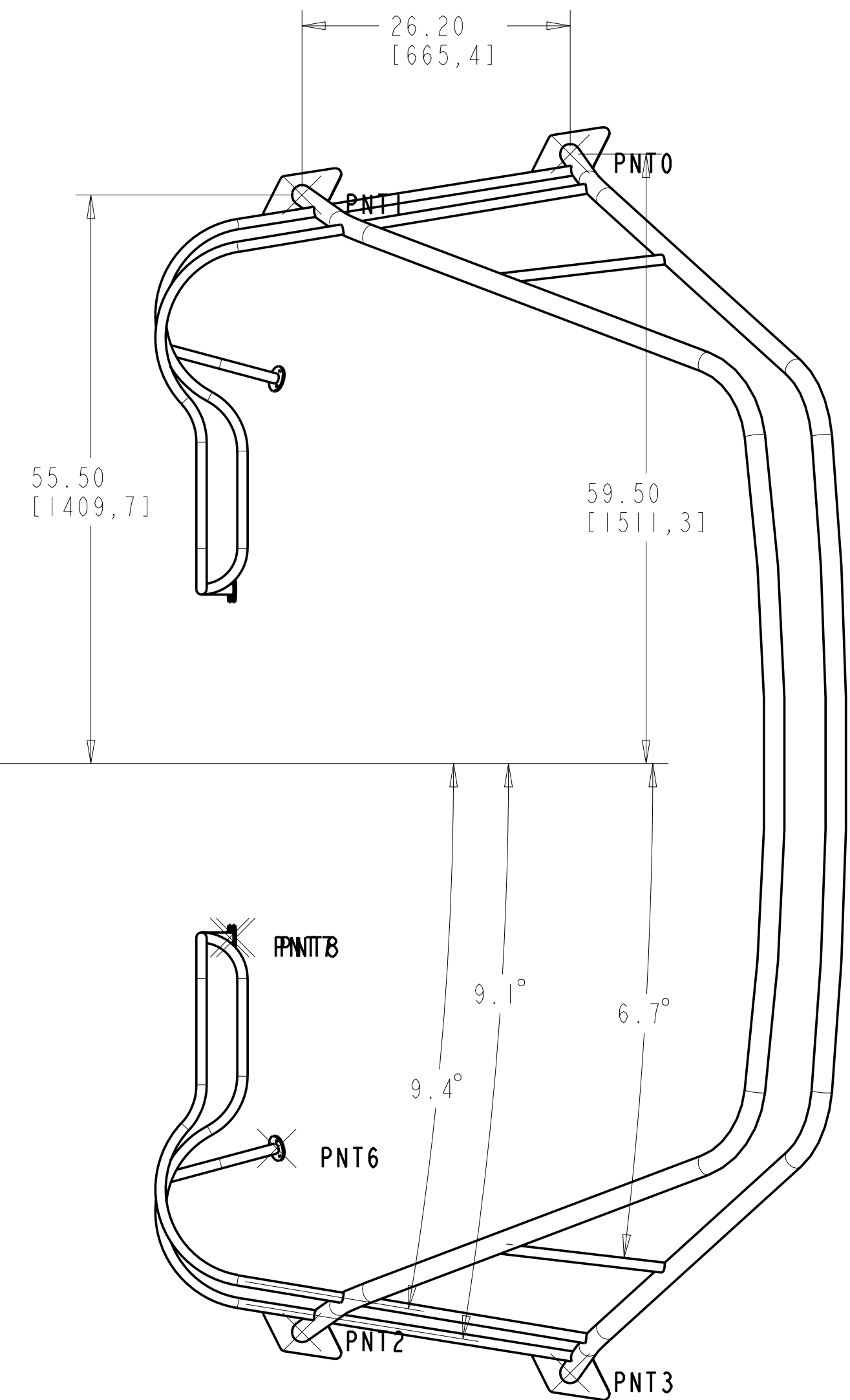



SYMBOL	REVISIONS	DATE	ENG
A	HEIGHT LOWERED FROM 72" to 60" FWD RAKE MOVED FROM 28" to 26"	6/18/03	JTM



- 36 ARCH
 NOTES: SCALE=0.083
 1. MATERIAL: Ø2" x .120" 304 SS TUBING
 Ø1" x .065" 304 SS TUBING
 2. ALL DIMENSIONS ARE INCHES AND DEGREES
 3. ALL WELDS TO MEET AWS STANDARDS.
 4. BREAK AND DEBURR ALL EDGES
 5. BRIGHT POLISH AFTER FABRICATION
 6. REPLACES "35624007.DRW" FOR 2004 MODEL YEAR CHANGE

PROPRIETARY INFORMATION: THIS DRAWING CONTAINS INFORMATION FOR WHICH HUNTER MARINE CORPORATION HAS PROPRIETARY RIGHTS.

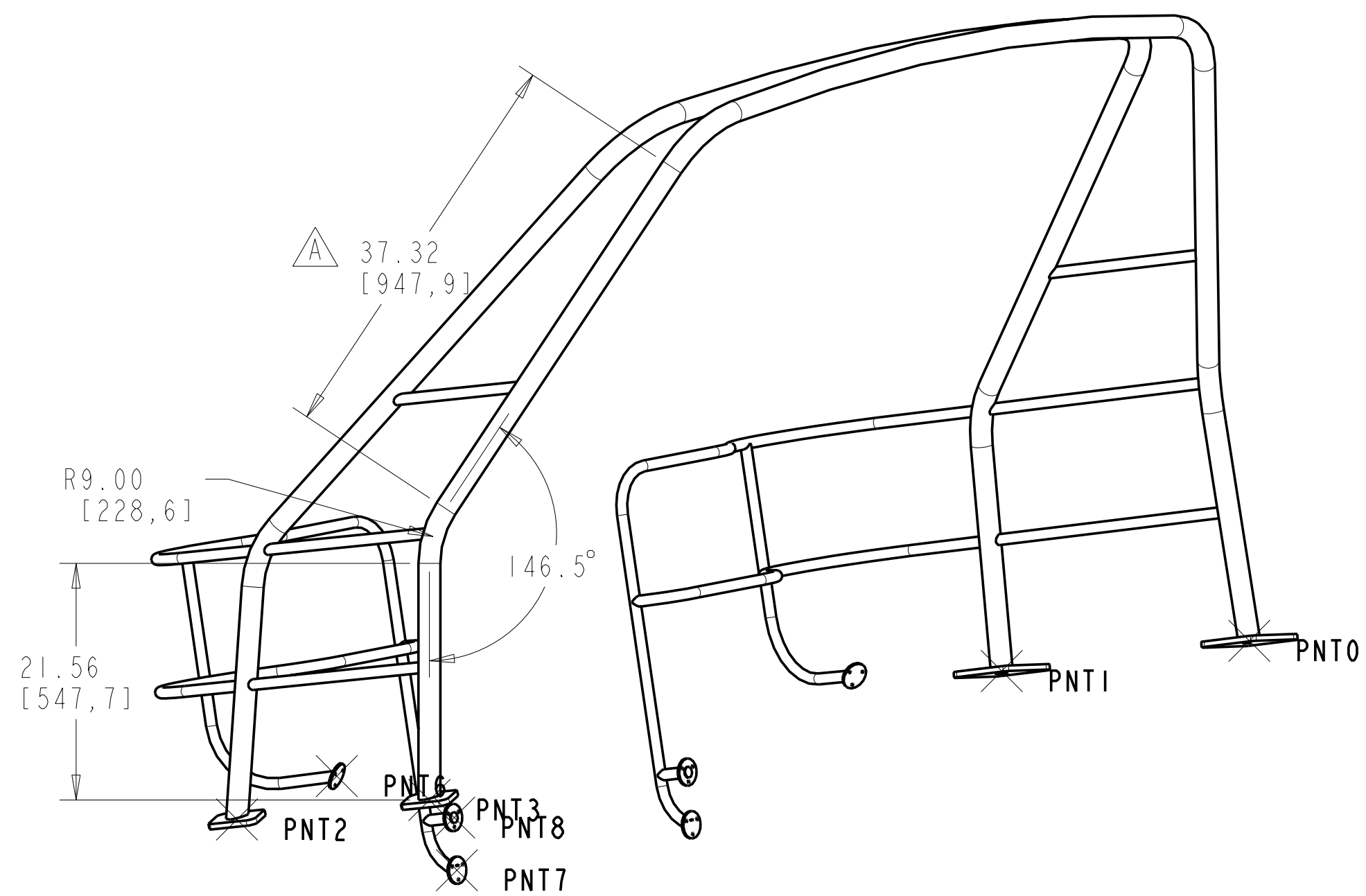
HUNTER  **36**

DRAWING TITLE: **36 Arch**

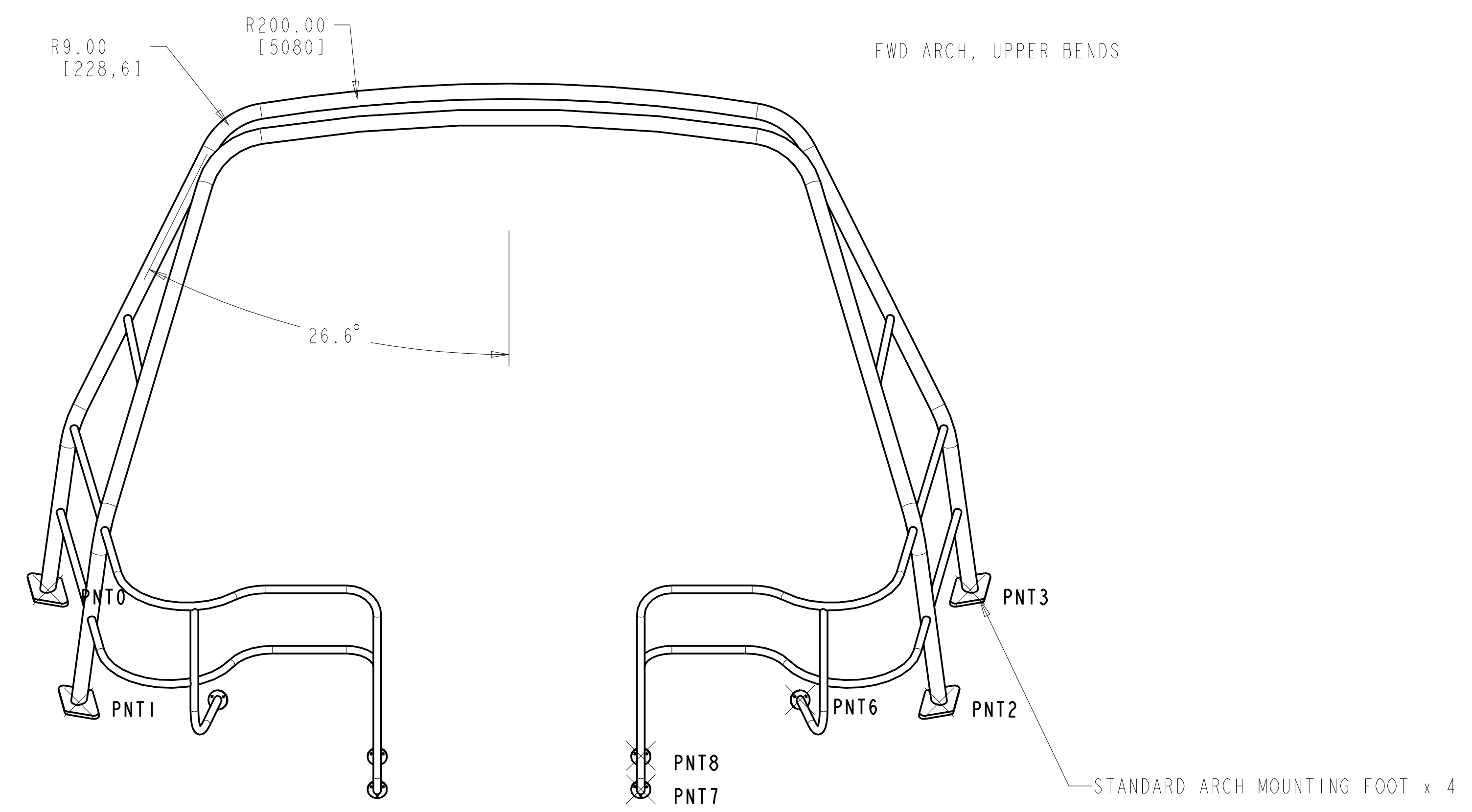
DATE: 05 May 03
 DRAWN BY: JTM
 SCALE: 0.083
 HUNTER PART NO.: TBD
 REVISION: 1
 SHEET: 1 OF 3
 DRAW # 35624011

SYMBOL	REVISIONS	DATE	ENG
A	HEIGHT LOWERED FROM 72" to 60" FWD RAKE MOVED FROM 28" to 26"	6/18/02	JTM

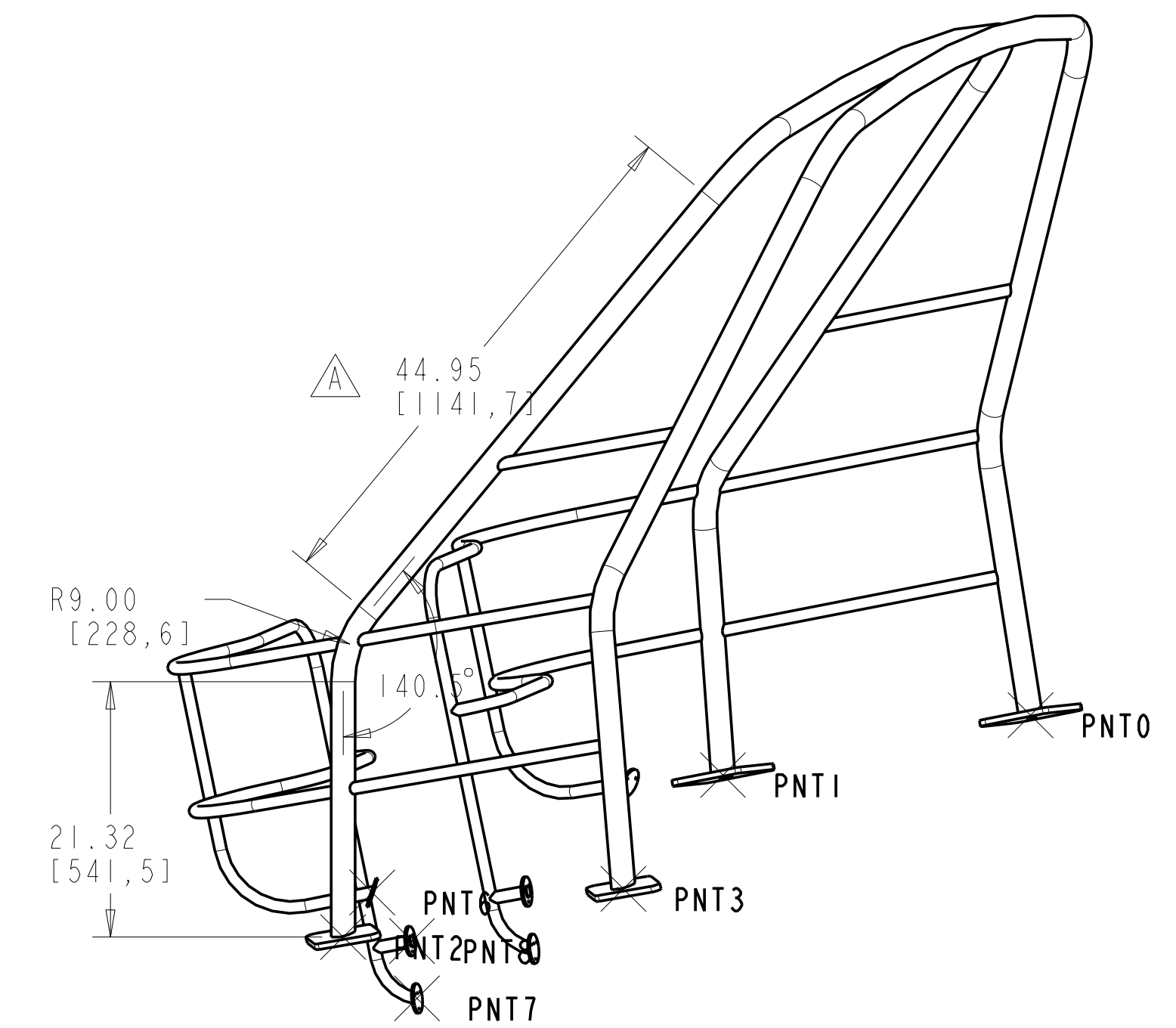
FWD ARCH, LOWER BEND



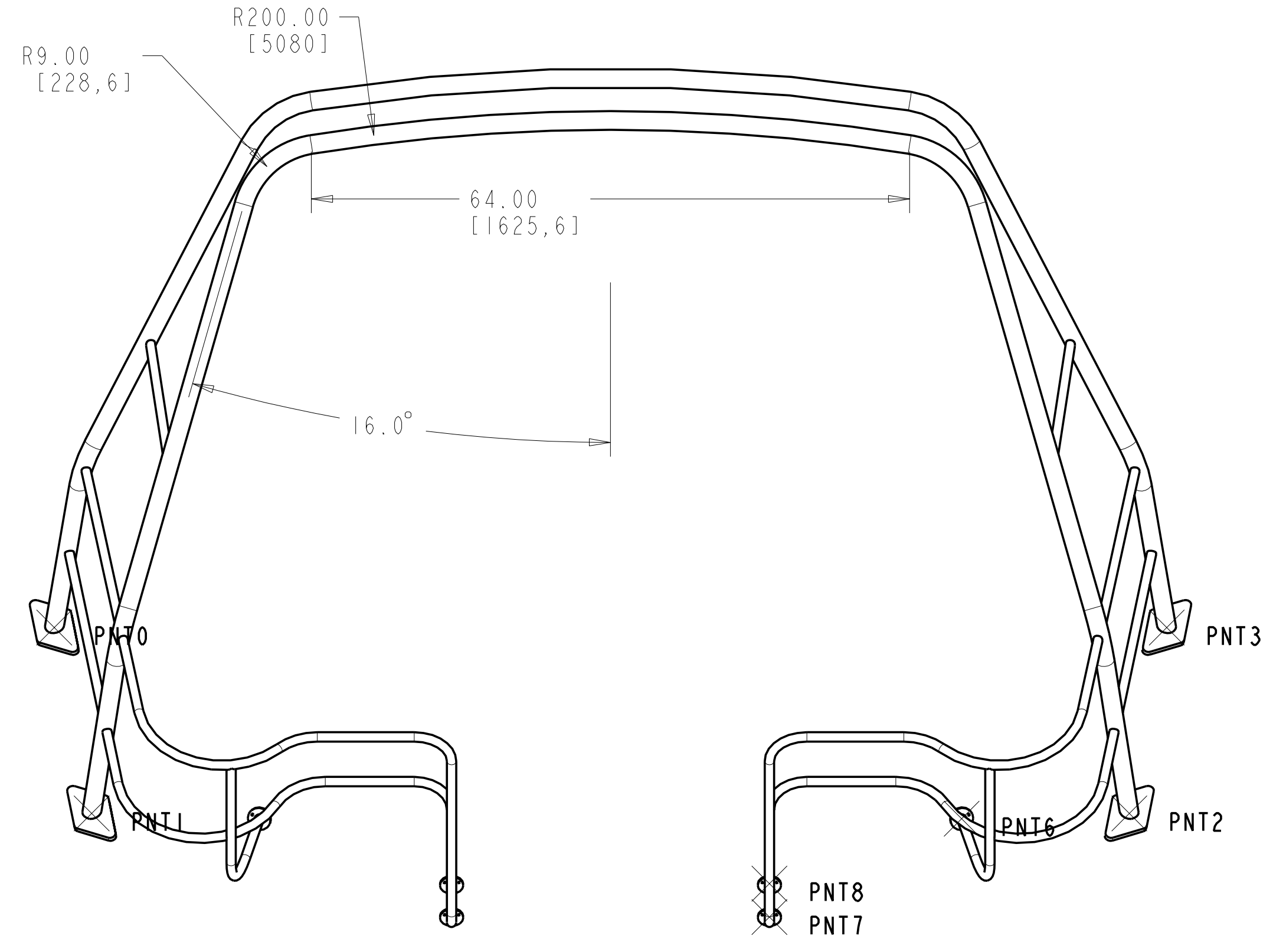
FWD ARCH, UPPER BENDS



AFT ARCH, LOWER BEND




AFT ARCH, UPPER BENDS



- 36 ARCH
 NOTES: SCALE=0.083
 1. MATERIAL: \varnothing 2" x .120" 304 SS TUBING
 \varnothing 1" x .065" 304 SS TUBING
 2. ALL DIMENSIONS ARE INCHES AND DEGREES
 3. ALL WELDS TO MEET AWS STANDARDS.
 4. BREAK AND DEBURR ALL EDGES
 5. BRIGHT POLISH AFTER FABRICATION
 6. REPLACES "35624007.DRW" FOR 2004 MODEL YEAR CHANGE

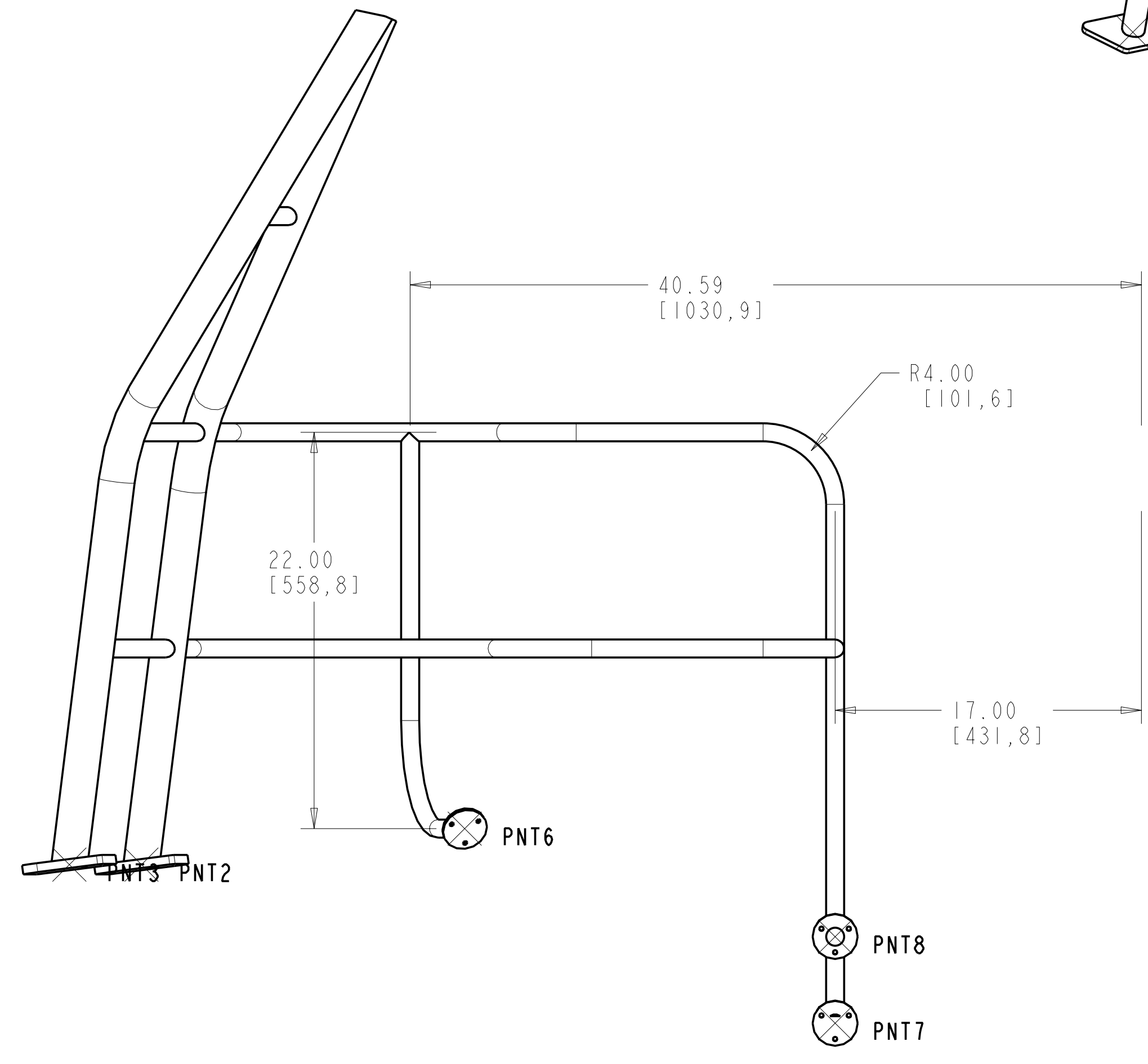
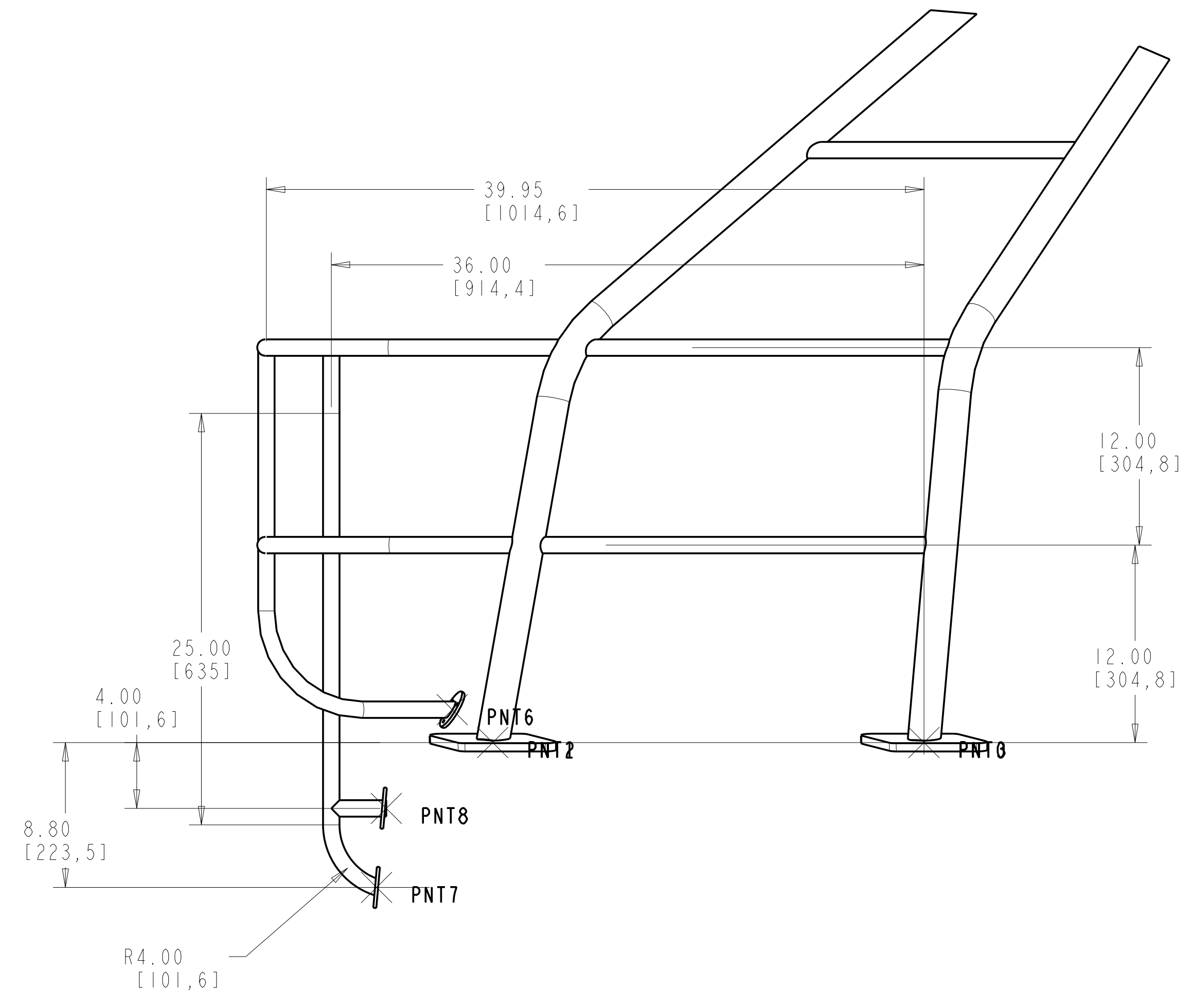
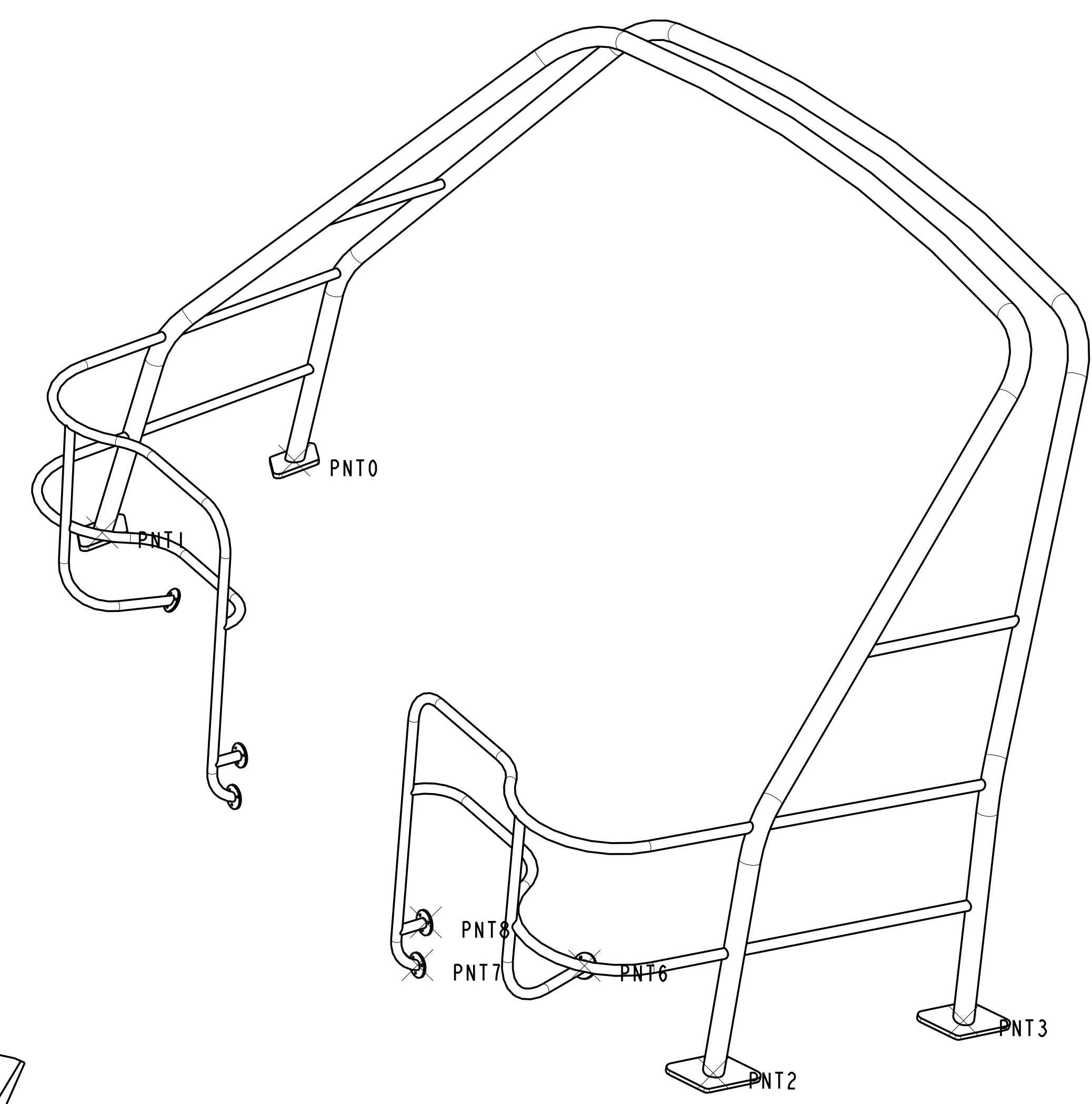
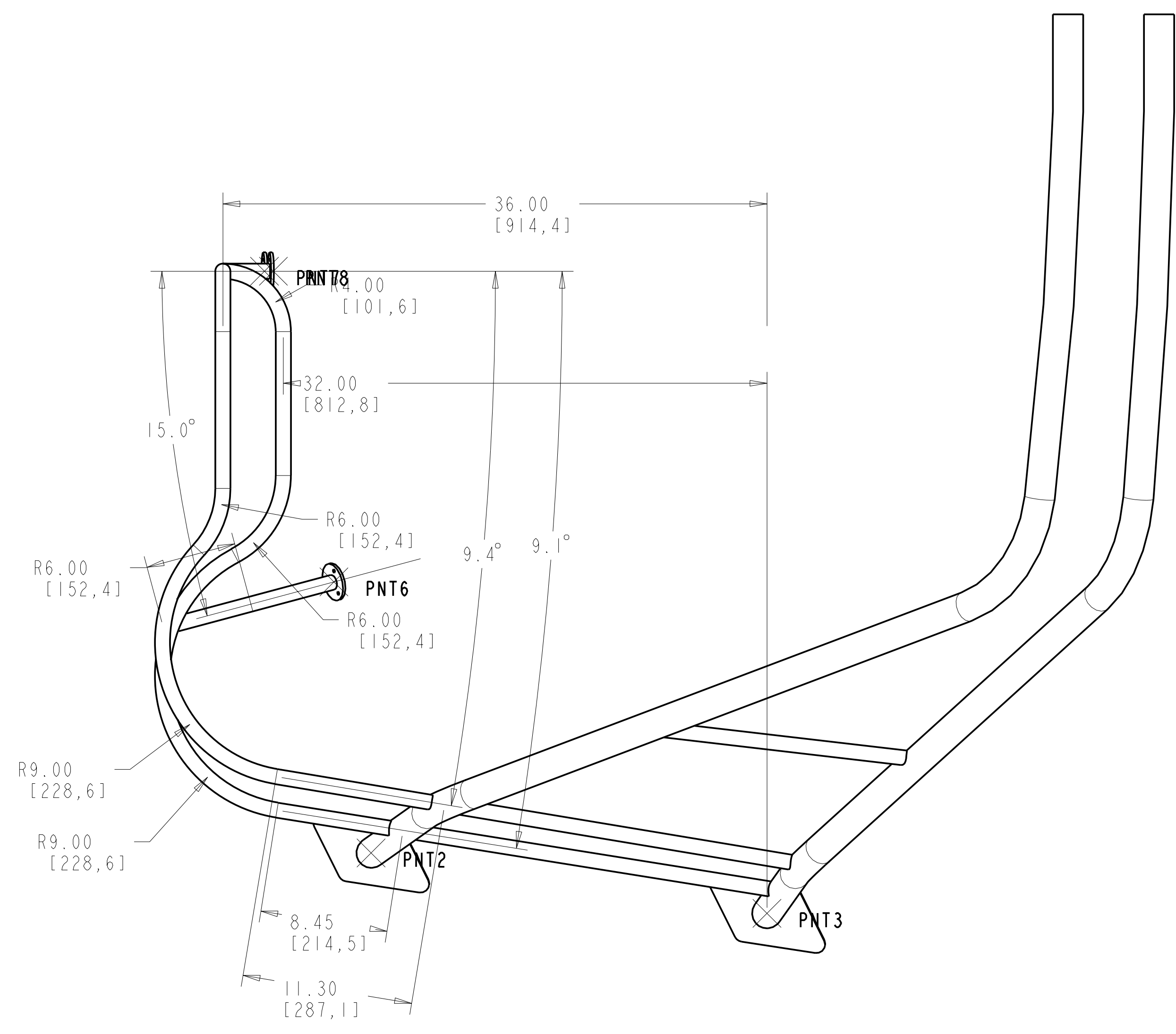
PROPRIETARY INFORMATION: THIS DRAWING CONTAINS INFORMATION FOR WHICH HUNTER MARINE CORPORATION HAS PROPRIETARY RIGHTS.

HUNTER  **36**

DRAWING TITLE: **36 Arch**

DRAWN BY: JTM	DATE: 30 May 03	SHEET: 2	OF: 3
SCALE: 0.083	HUNTER PART NO. 180	REVISION:	DRAW # 35624011

SYMBOL	REVISIONS	DATE	ENG



36 STERNRAIL SEAT- STBD SIDE
(MIRROR FOR PORT SIDE)
NOTES: SCALE=0.167
1. MATERIAL: Ø1" x .065" 304 SS TUBING
2. ALL DIMENSIONS ARE INCHES AND DEGREES
3. ALL WELDS TO MEET AWS STANDARDS.
4. BREAK AND DEBURR ALL EDGES
5. BRIGHT POLISH AFTER FABRICATION
6. REPLACES "35624007.DRW" FOR 2004 MODEL YEAR CHANGE

PROPRIETARY INFORMATION: THIS DRAWING CONTAINS INFORMATION FOR WHICH HUNTER MARINE CORPORATION HAS PROPRIETARY RIGHTS.

HUNTER		36
DRAWING TITLE: 36 Arch		
DRAWN BY: JTM	DATE: 02 Jun 03	SHEET 3 OF 3
SCALE: 0.167	HUNTER PART NO. TBD	REVISION 1 DRAW # 35624011