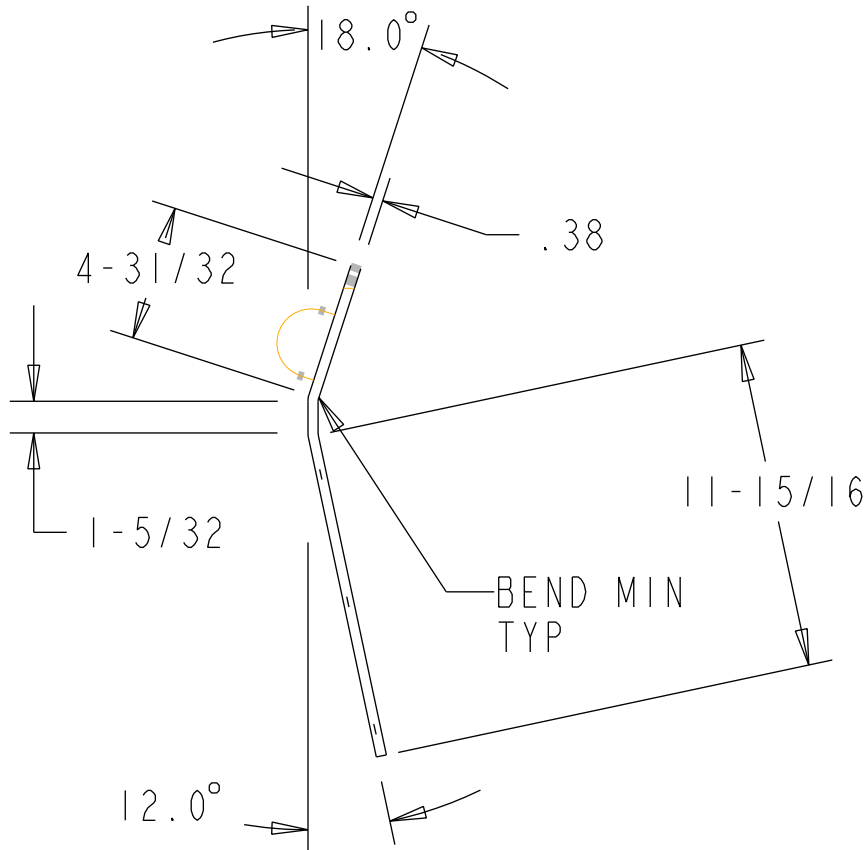
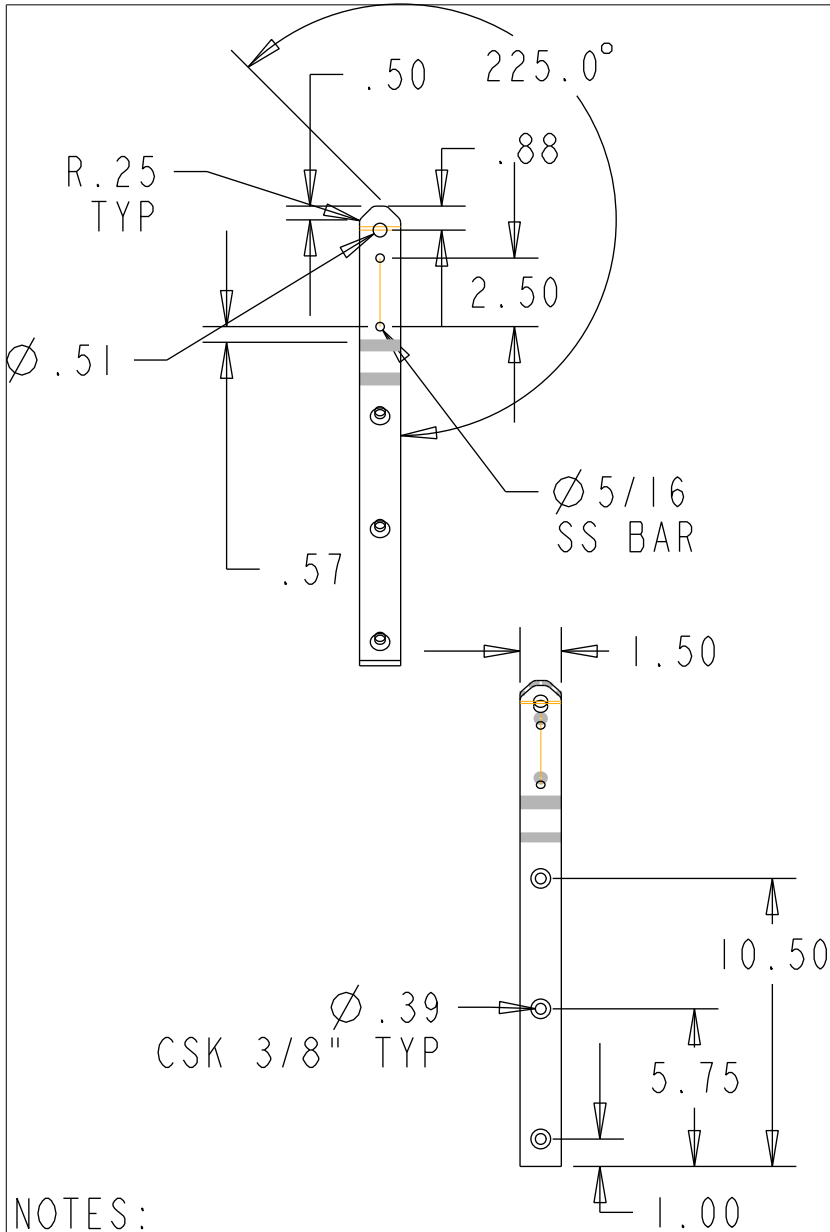


SYMBOL	REVISIONS	DATE	ENG



- NOTES:
1. MATERIAL: 304 SS PLATE POLISHED.
 2. 1 PER BOAT
 3. MAKE ALL WELDS TO AWS STANDARD.

CHECKED:

PROPRIETARY INFORMATION: THIS DRAWING CONTAINS INFORMATION FOR WHICH HUNTER MARINE CORPORATION HAS PROPRIETARY RIGHTS.

HUNTER 36

DRAWING TITLE:
STEMHEAD

DRAWN BY: KREAD	DATE: 16-Mar-10	SHEET 1	OF 1
SCALE: 0.143	HUNTER PART NO.	REVISION ir	DRAW # 36-STEMHEAD-2010