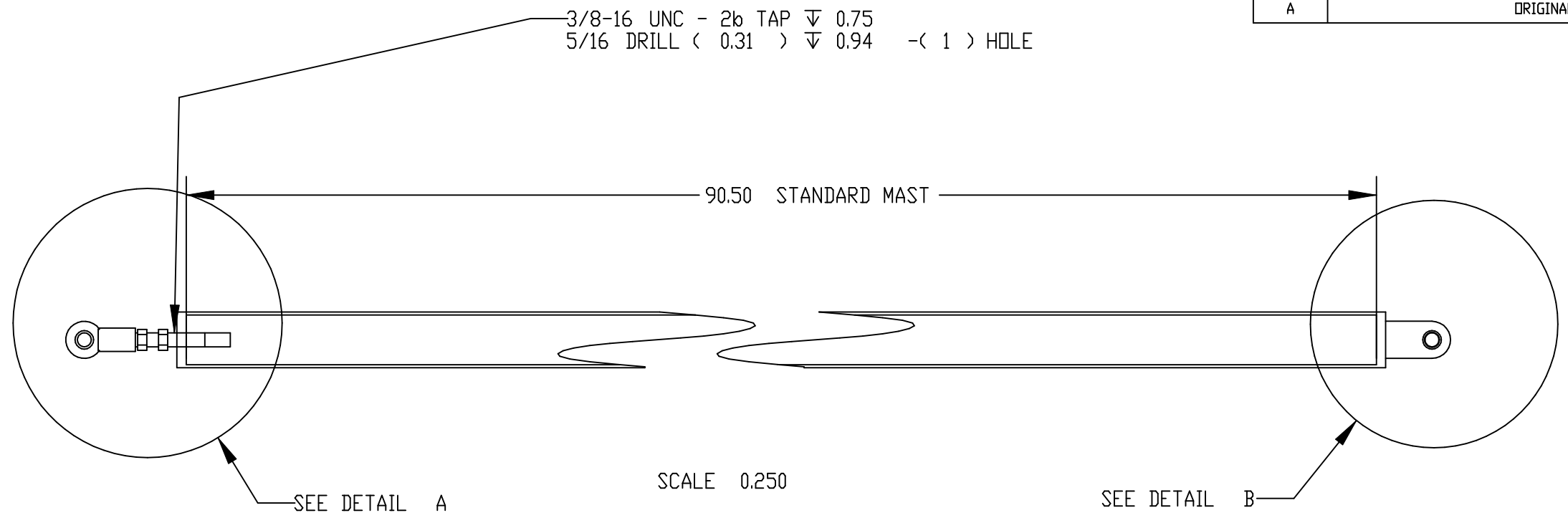
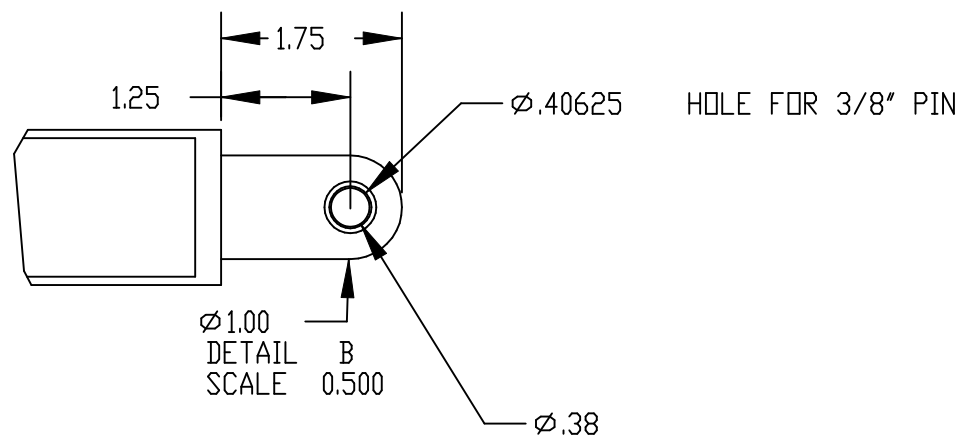
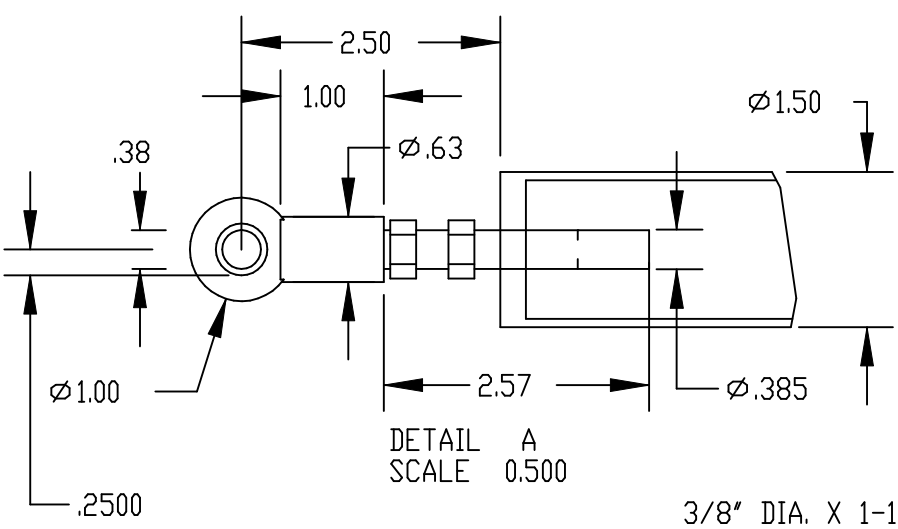


SYMBOL	REVISIONS	DATE	ENG
A	ORIGINAL ISSUE	12-02-03	ESA



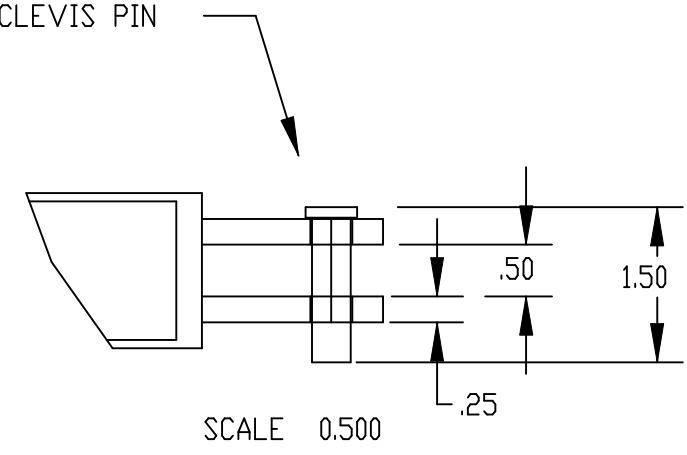
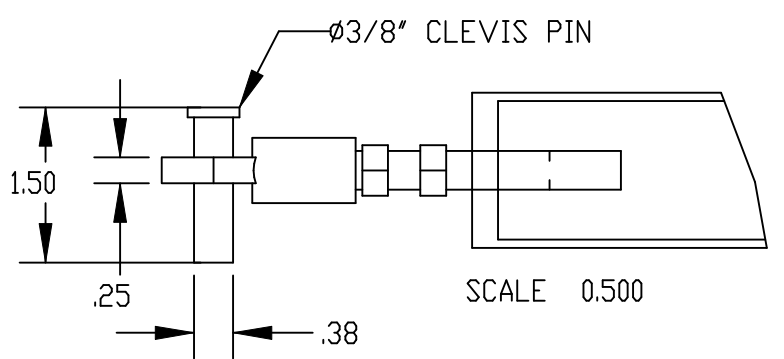
SCALE 0.250




SCALE 0.063

- MAST STRUT POLE
 NOTES: SCALE= 1.000
 1. MATERIAL: 304 ss
 2. ALL DIMENSIONS ARE INCHES AND DEGREES
 3. ALL WELDS TO MEET AWS STANDARDS.
 4. BREAK AND DEBURR ALL EDGES
 5. BRIGHT POLISH AFTER FABRICATION
 6. MAKE TWO PER BOAT

3/8" DIA. X 1-1/2" LONG CLEVIS PIN



PROPRIETARY INFORMATION: THIS DRAWING CONTAINS INFORMATION FOR WHICH HUNTER MARINE CORPORATION HAS PROPRIETARY RIGHTS.



H U N T E R 36

DRAWING TITLE:
 MAST STRUT POLE

DRAWN BY: AFF	DATE: 02-Dec-03	SHEET 1	OF 1
SCALE: 1.000	HUNTER PART NO. TBD	REVISION -	DRAW # 36-STRUT-POLE

CHECKED: