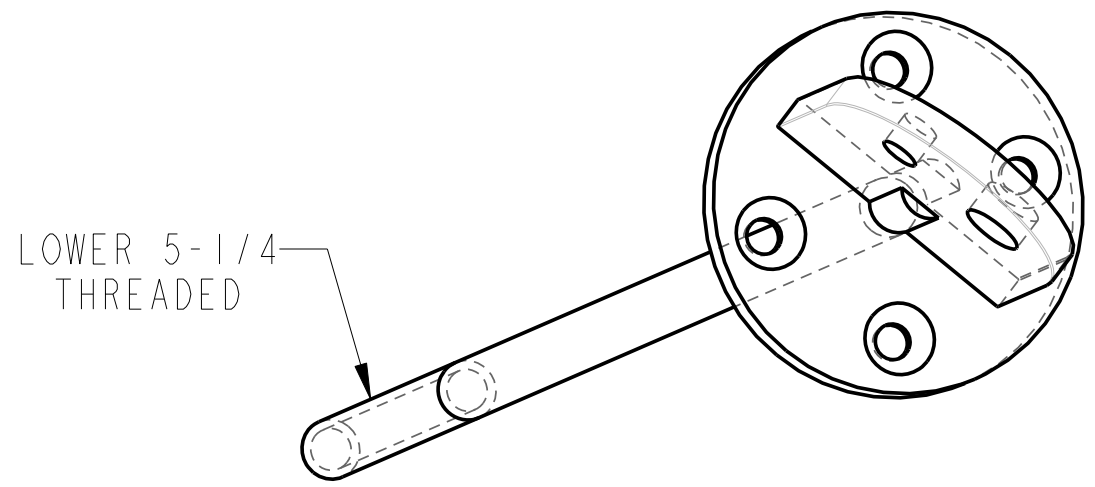
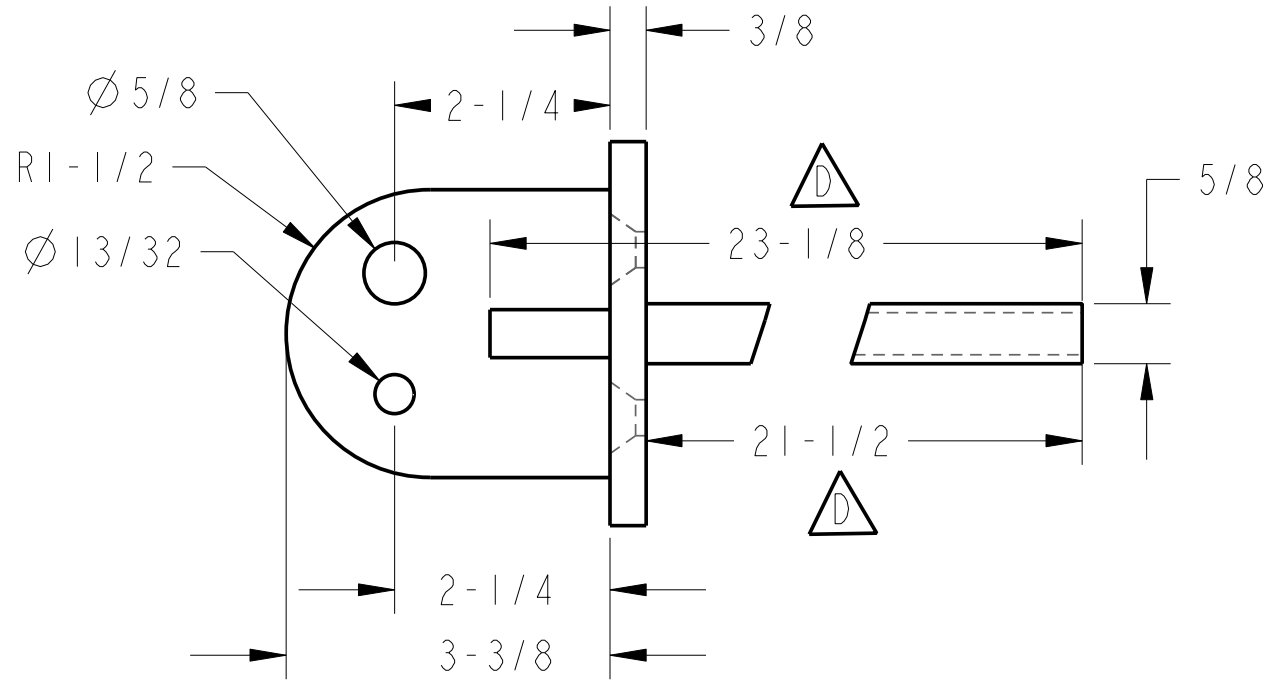
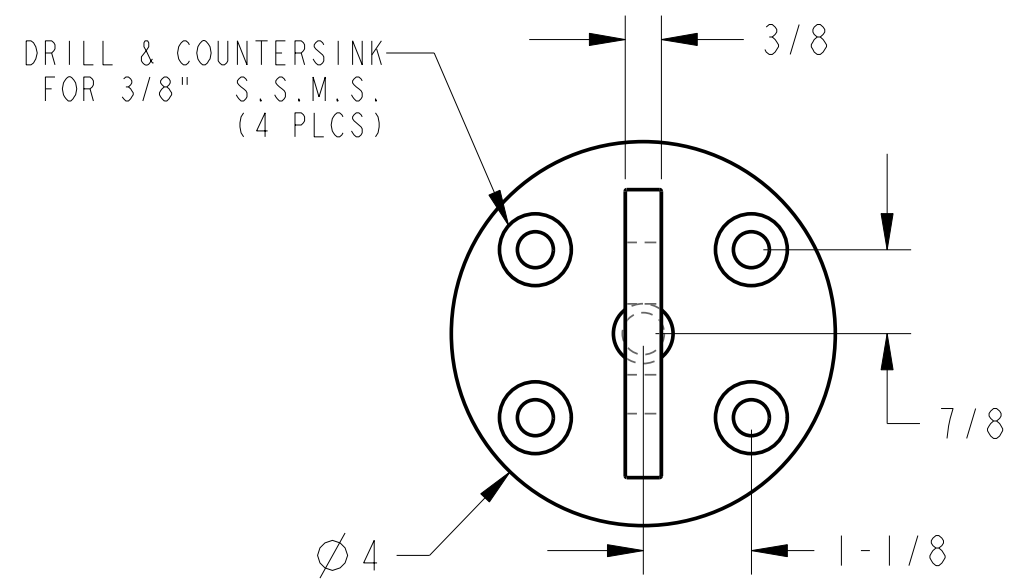



| SYMBOL | REVISIONS                      | DATE      | ENG |
|--------|--------------------------------|-----------|-----|
| A      | ORIGINAL ISSUE                 | 11-Jan-07 | AFF |
| B      | REMOVED 1/2" FROM THREADED END | 07-Oct-08 | AFF |
| C      | ADDED 1/2" BACK TO THREADS     | 07-Oct-08 | AFF |
| D      | REDUCED ROD LENGTH BY 1/2"     | 2/27/2009 | JLK |



INNER CHAINPLATE (2007)  
 NOTES: SCALE=0.500  
 1. MATERIAL: 304 S.S.  
 2. ALL DIMENSIONS ARE INCHES AND DEGREES  
 3. ALL WELDS TO MEET AWS STANDARDS.  
 4. BREAK AND DEBURR ALL EDGES  
 5. BRIGHT POLISH AFTER FABRICATION  
 6. QTY...2 PER BOAT  
 7. CHASE THREAD ON ROD

PROPRIETARY INFORMATION: THIS DRAWING CONTAINS INFORMATION FOR WHICH HUNTER MARINE CORPORATION HAS PROPRIETARY RIGHTS.



H U N T E R **36**

DRAWING TITLE:  
**INNER CHAINPLATE (2007)**

|                         |                               |                        |  |
|-------------------------|-------------------------------|------------------------|--|
| DRAWN BY:<br><b>AFF</b> | DATE:<br><b>11-Jan-07</b>     | SHEET<br><b>1</b>      | OF<br><b>1</b>                           |
| SCALE:<br><b>0.500</b>  | HUNTER PART NO.<br><b>TBD</b> | REVISION<br><b>rev</b> | DRAW #<br><b>36 INNER CHAINPLATE NEW</b> |

CHECKED: