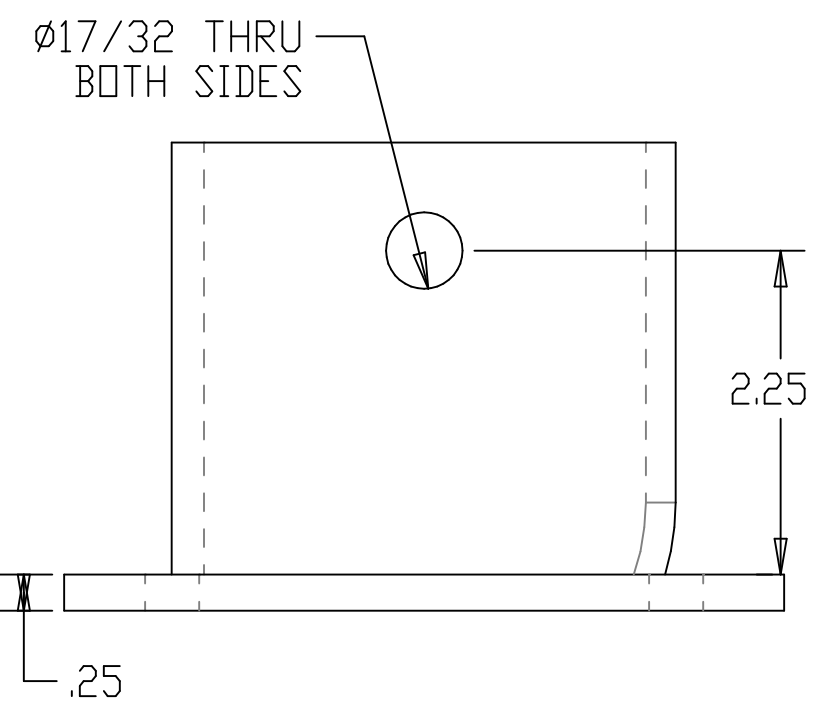
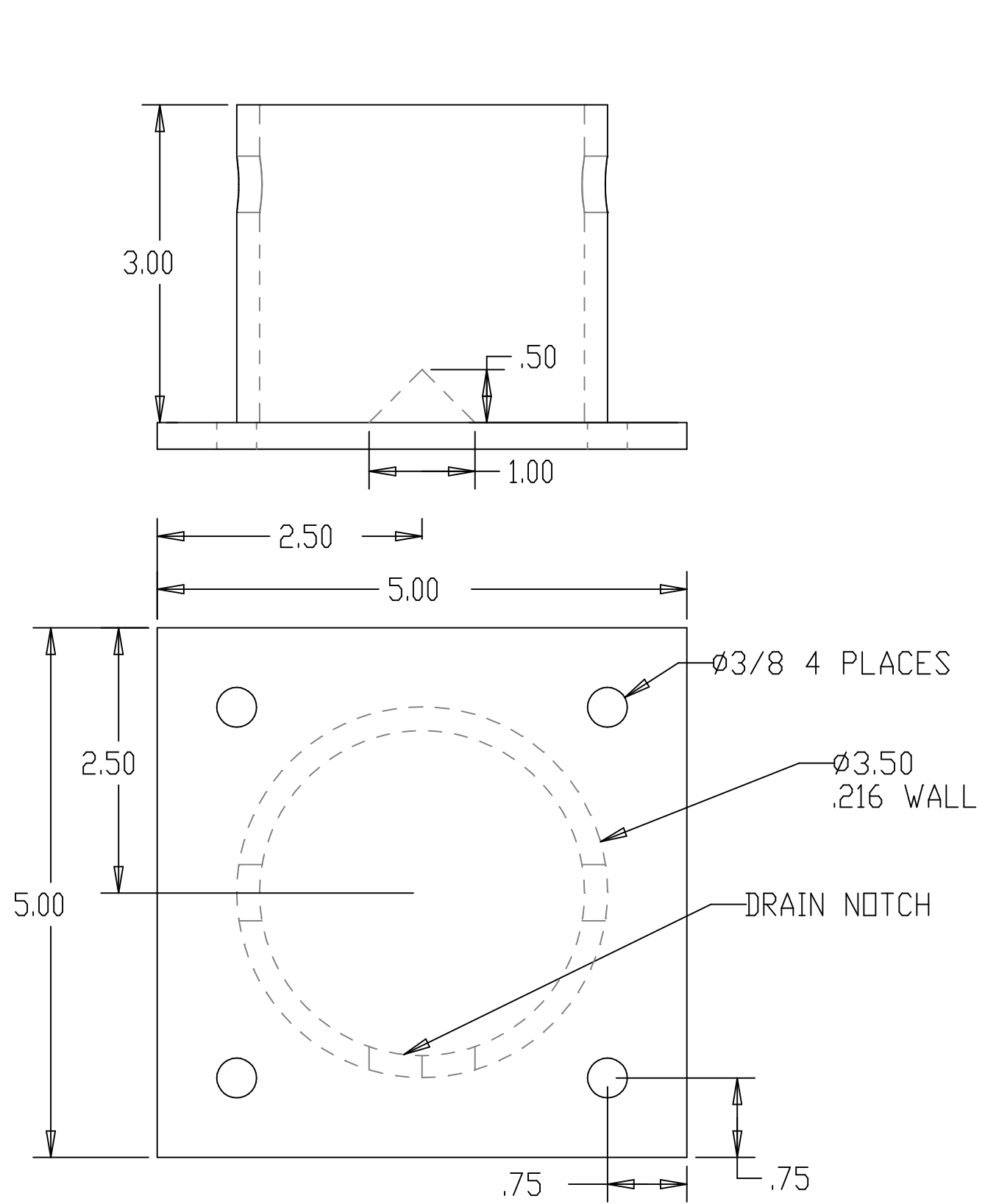



| SYMBOL | REVISIONS | DATE | ENG |
|--------|----------------|---------|-----|
| A | ORIGINAL ISSUE | 6/22/05 | |



COMPRESSION POST CUP
 NOTES: SCALE= 0.750
 1. MATERIAL:
 PLATE IS 1/4" SS
 PIPE IS 3" SCHEDULE 40
 2. ALL DIMENSIONS ARE INCHES AND DEGREES
 3. ALL WELDS TO MEET AWS STANDARDS.
 4. BREAK AND DEBURR ALL EDGES
 5. 1 PER BOAT

PROPRIETARY INFORMATION: THIS DRAWING CONTAINS INFORMATION FOR WHICH HUNTER MARINE CORPORATION HAS PROPRIETARY RIGHTS.



H U N T E R 36

DRAWING TITLE: COMPRESSION POST CUP

DRAWN BY: BMB DATE: 22-Jun-05 SHEET 1 OF 1

SCALE: 0.750 HUNTER PART NO. TBD REVISION DRAW # 36 COMPRESSION POST CUP

CHECKED