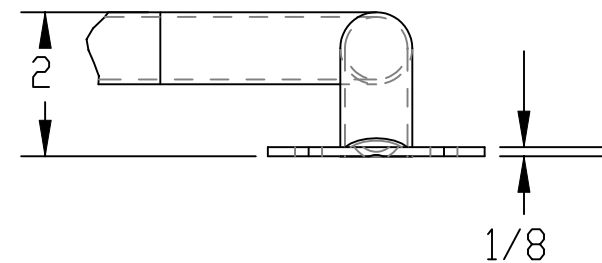
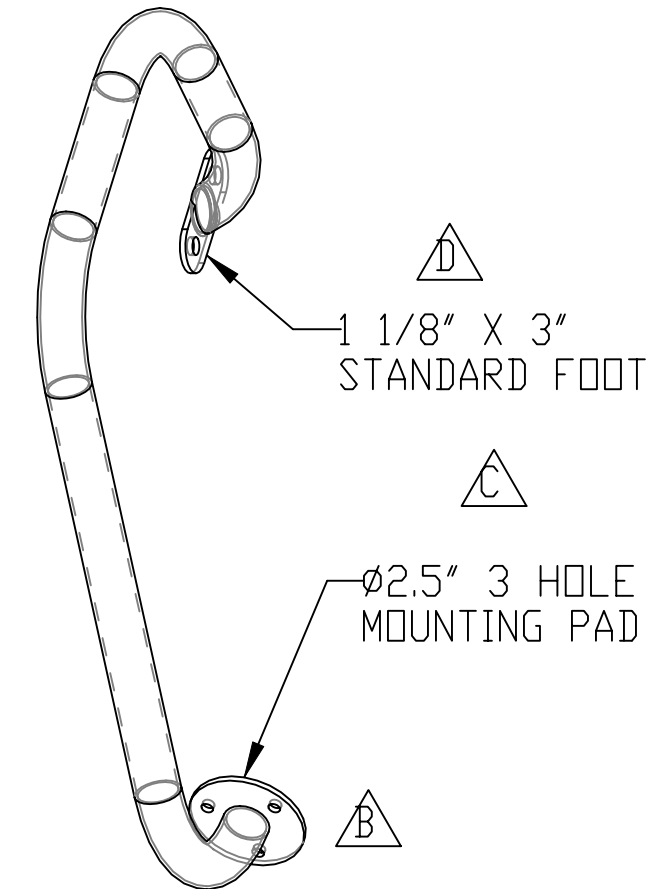
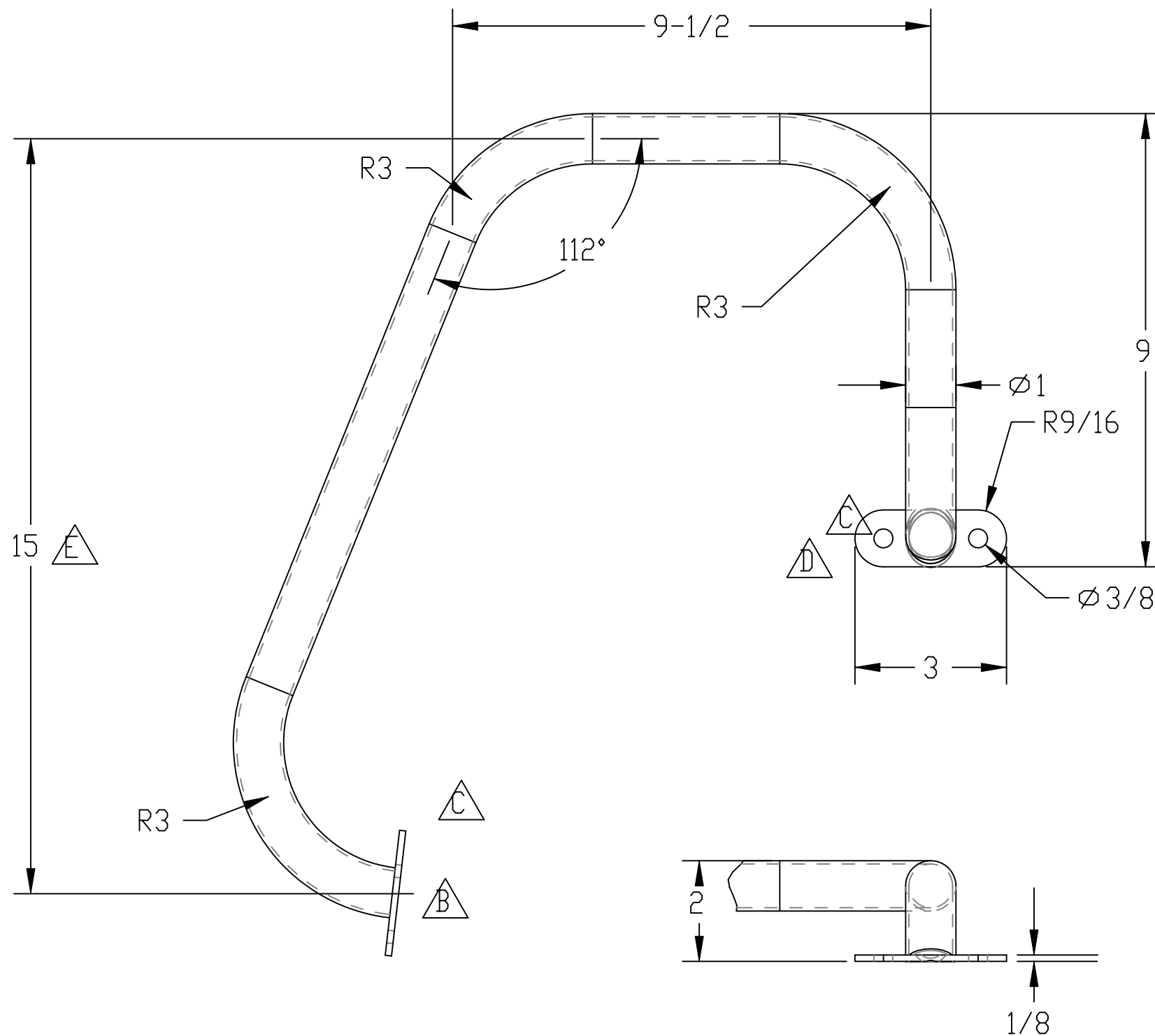


SYMBOL	REVISIONS	DATE	ENG
B	REMOVE STUD AND ADD FOOT	3/08/06	AFF
C	CHANGE TO Ø2.5" FOOT	19-May-06	AFF
D	CHANGE TO 1 1/8" X 3" FOOT	14-Jun-06	AFF
E	CHANGE FROM 13.5" TO 15"	24-May-07	AFF



NOTES:
 MAKE ONE HANDED PAIR PER BOAT
 MATERIAL IS 304 SS 1" x 0.065" TUBE
 POLISHED FINISH, DEBURR ALL EDGES

PROPRIETARY INFORMATION: THIS DRAWING CONTAINS INFORMATION FOR WHICH HUNTER MARINE CORPORATION HAS PROPRIETARY RIGHTS.



H U N T E R 36

DRAWING TITLE: TRANSOM SUPPORT GRAB RAIL			
DRAWN BY: ENG	DATE: 23-May-05	SHEET 1	OF 1
SCALE: NTS	HUNTER PART NO. TBD	REVISION -	DRAW # 36_TRANSOM_SUPPORT_RAIL

CHECKED: