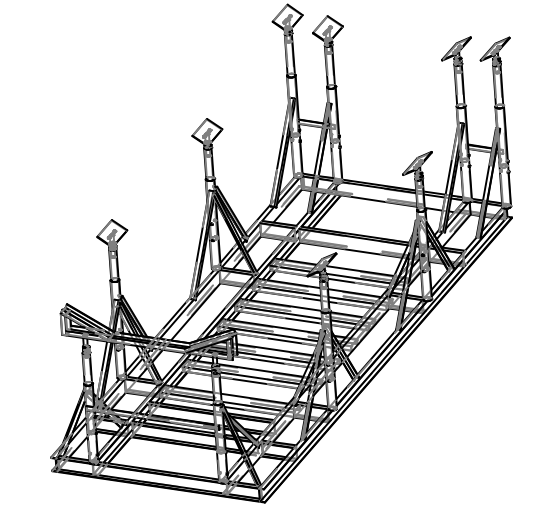
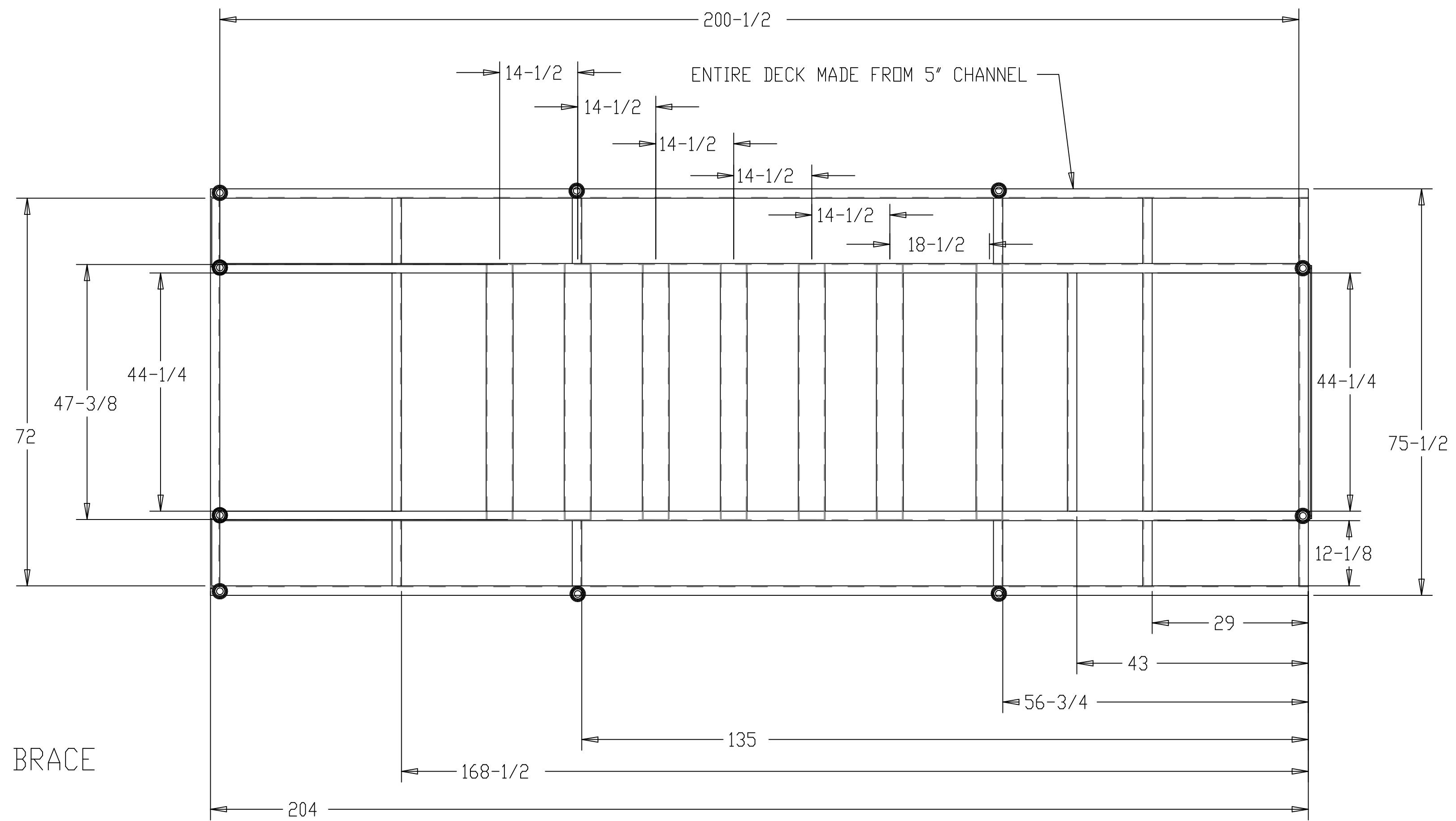
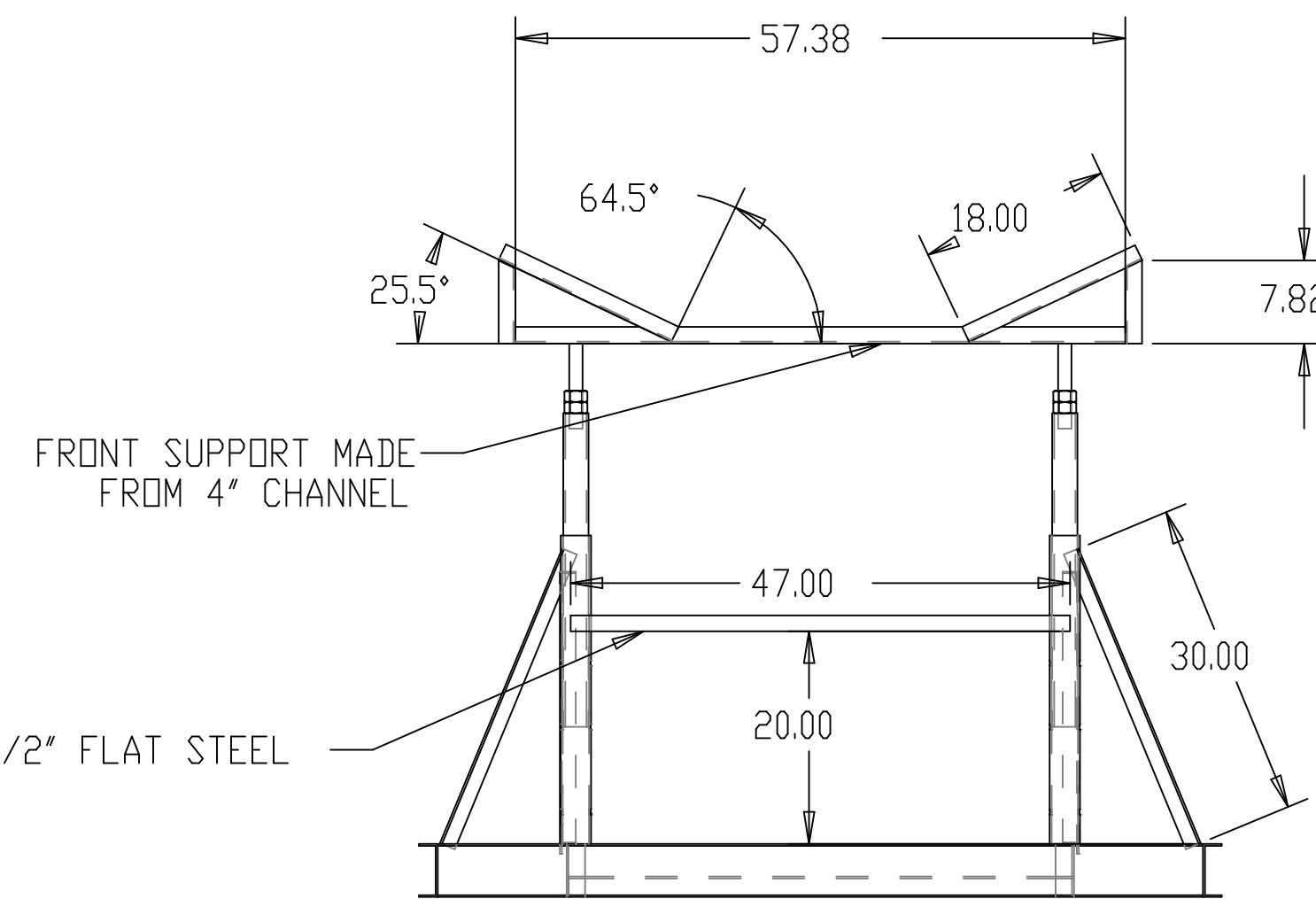
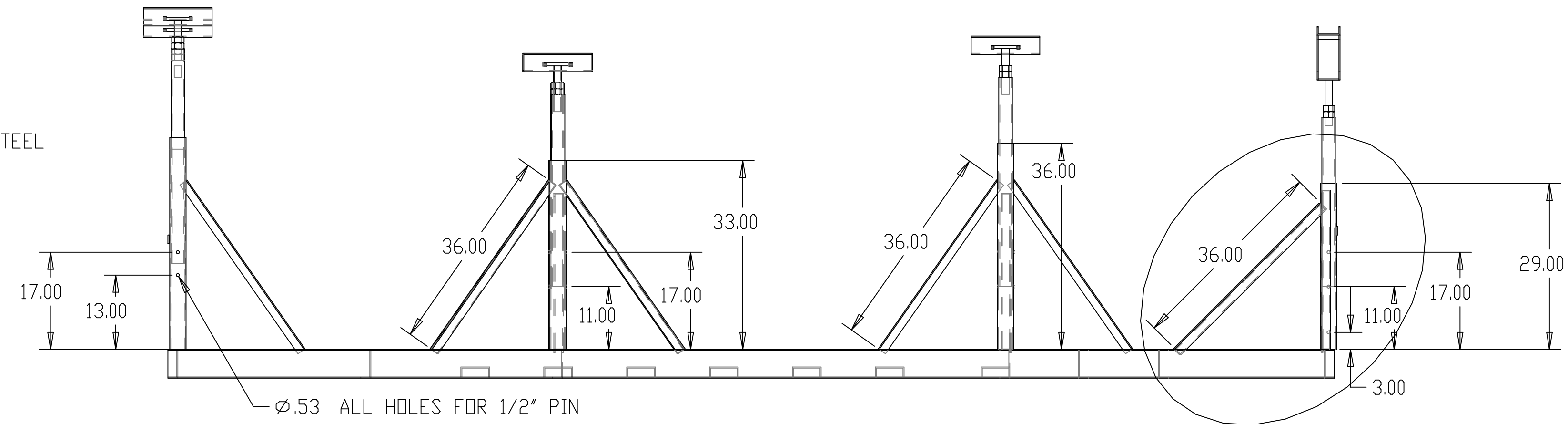
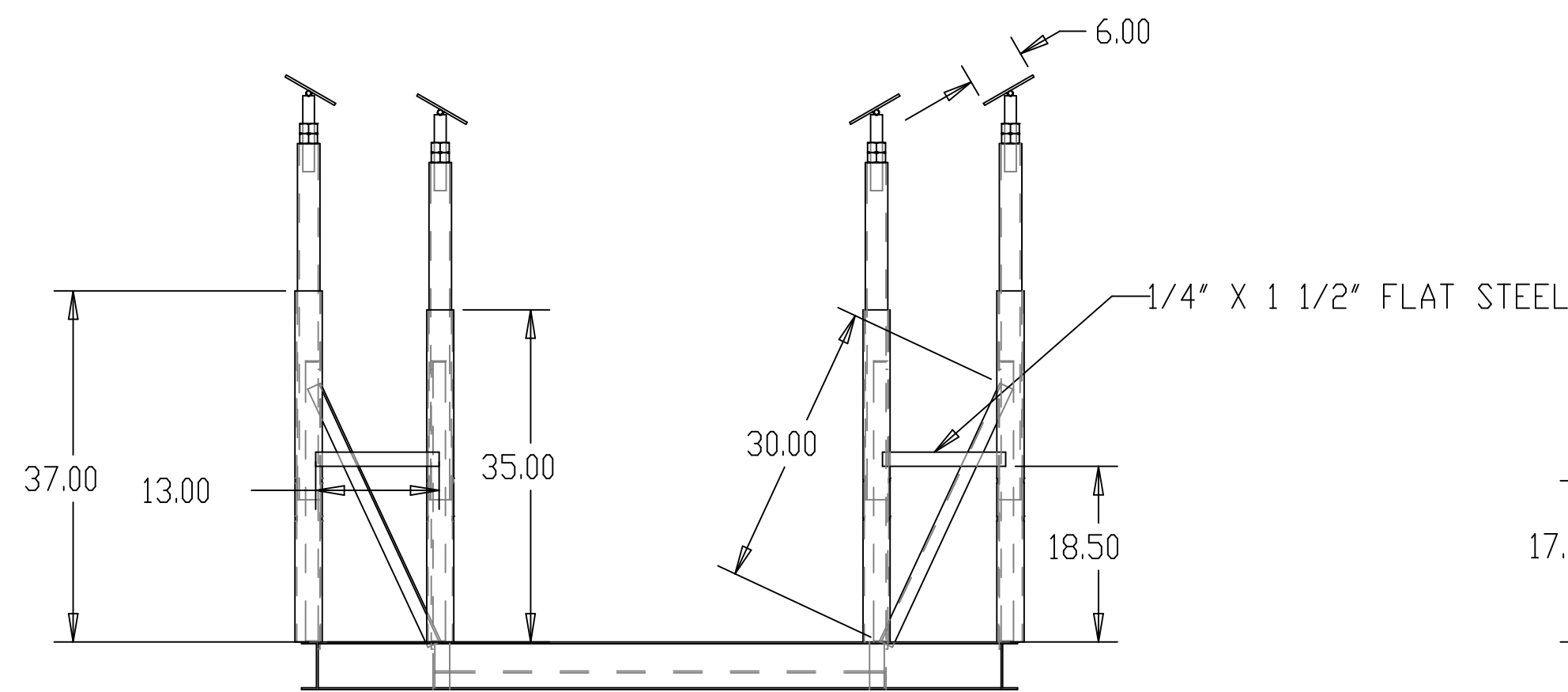
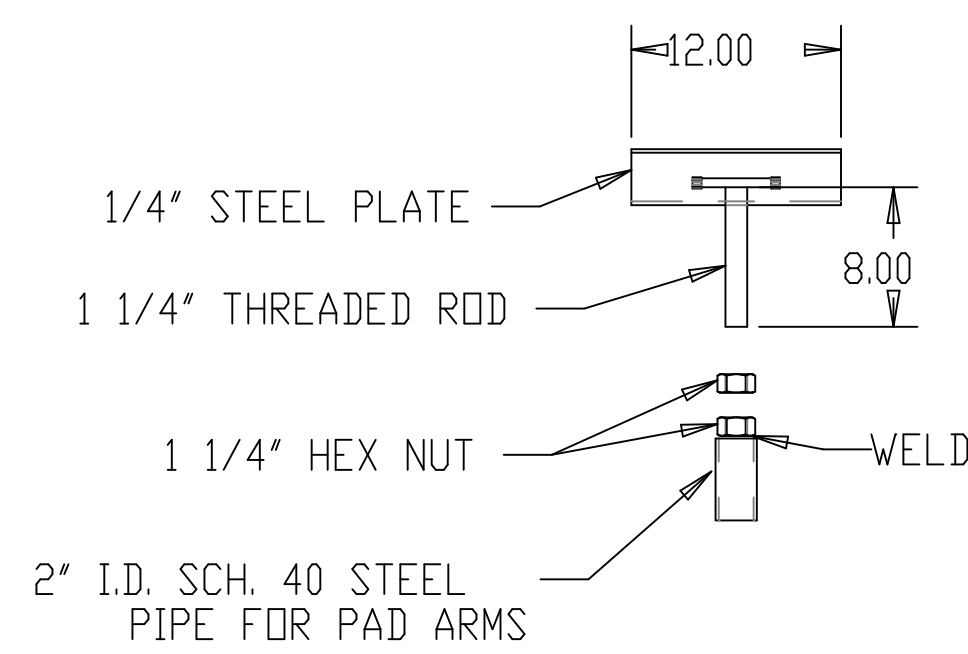


SYMBOL	REVISIONS	DATE	ENG

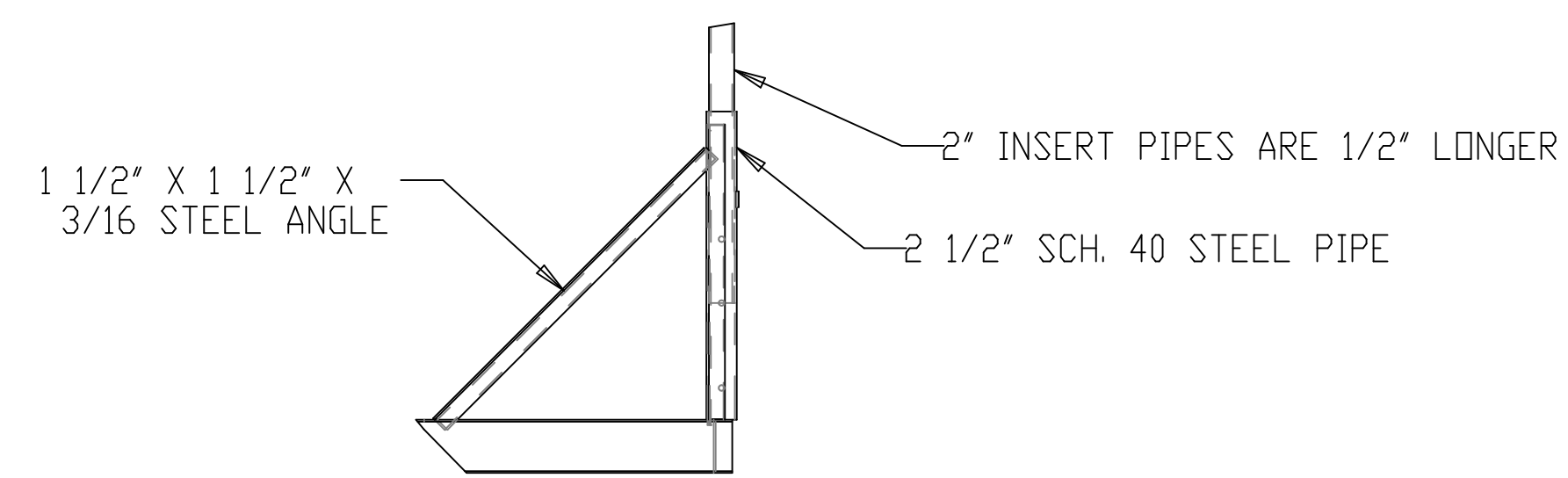


SCALE 0.016

ADJUSTABLE PAD SUPPORT



TYPICAL PAD SUPPORT BRACE



- MATERIALS:
- 5" X .19" X 1.75" STEEL CHANNEL
  - 4" X .18" X 1.58" STEEL CHANNEL
  - 1 1/2" X 1 1/2" X 3/16" STEEL ANGLE
  - 2" I.D. SCH 40 STEEL TUBE
  - 2 1/2" I.D. SCH 40 STEEL TUBE
  - 1/4" X 1 1/4" FLAT STEEL

PROPRIETARY INFORMATION THIS DRAWING CONTAINS INFORMATION FOR WHICH HUNTER WARE CORPORATION HAS PROPRIETARY RIGHTS.

**HUNTER 36**

DRAWING TITLE: 33 36 SHIPPING CRADLE

DRAWN BY: AFT	DATE: 09-Mar-04	SHEET: 1	OF: 1
SCALE: 0.063	HUNTER PART NO: TBD	REVISION:	DRAW # 33 36 SHIPPING CRADLE