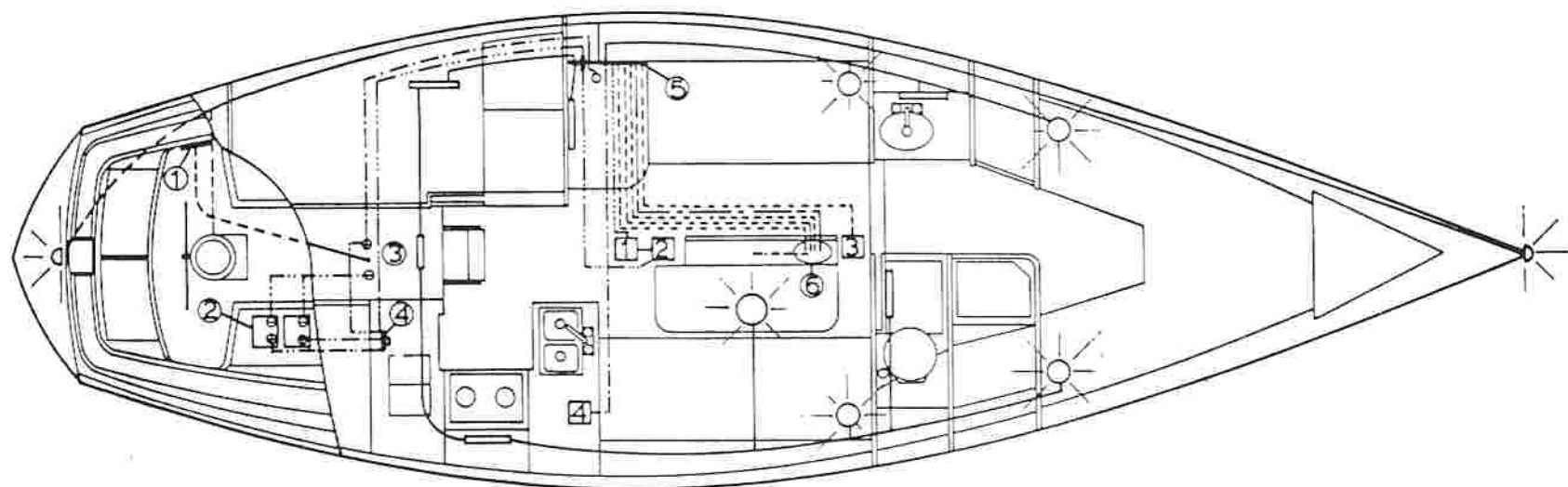


Hunter 37

DC ELECTRICAL DIAGRAM



LEGEND:

- ① ENGINE IGNITION PANEL
- ② BATTERIES
- ③ ENGINE
- ④ SAFETY MAIN SWITCH
- ⑤ ELECTRIC PANEL
- ⑥ MAST

SYMBOLS:

- ☐ ELECTRIC BILGE PUMP

- ☐ FLOAT SWITCH
- ☐ ELECTRIC SUMP PUMP
- ☐ PRESSURIZED WATER PUMP (ELECTRIC)

- LG. FLOURESCENT LIGHT
- SM. FLOURESCENT LIGHT
- IN-LINE FUSE
- ☀ ROUND CABIN LIGHTS
- ☀ BOW & STERN LIGHTS
- ☀ CHART LIGHT

- 16ga. WIRE (THRU-HEADLINER)
- - - 16ga. WIRE (THRU-PAN)
- · - · 10ga. WIRE
- - - 4ga. BATTERY CABLE
- · - · 12ga. WIRE
- - - COAX CABLE
- - - 8ga. MAST GROUND