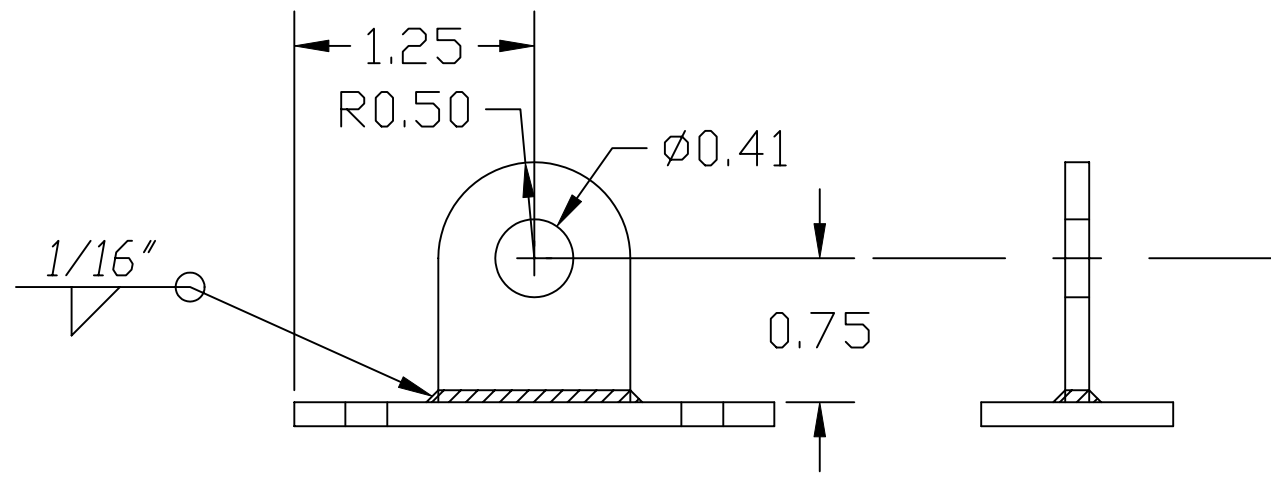


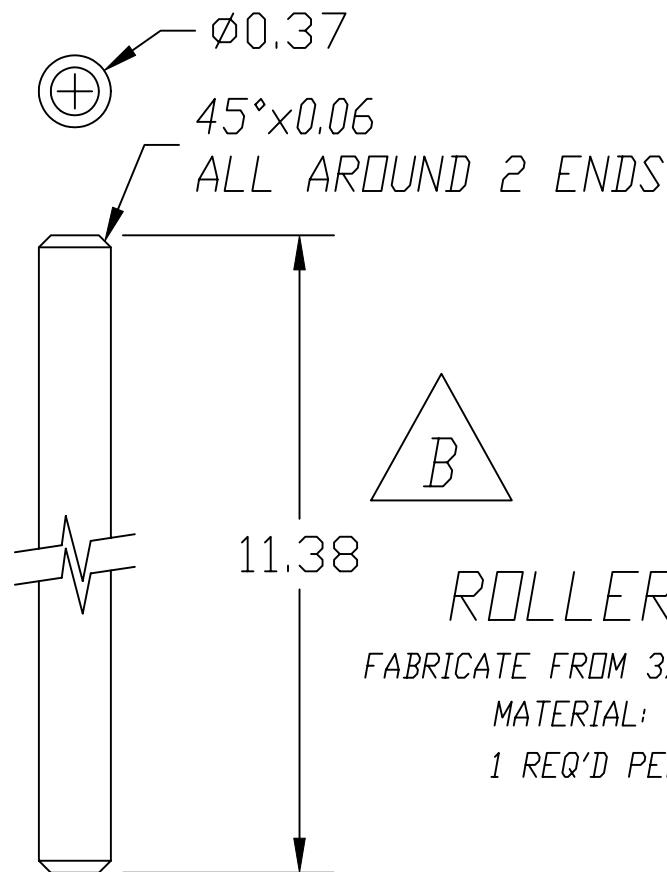
ROLLER

FABRICATE FROM 3/4" HOLLOW/ROUND BAR
 MATERIAL: UHMW PLASTIC
 6 REQ'D PER BOAT



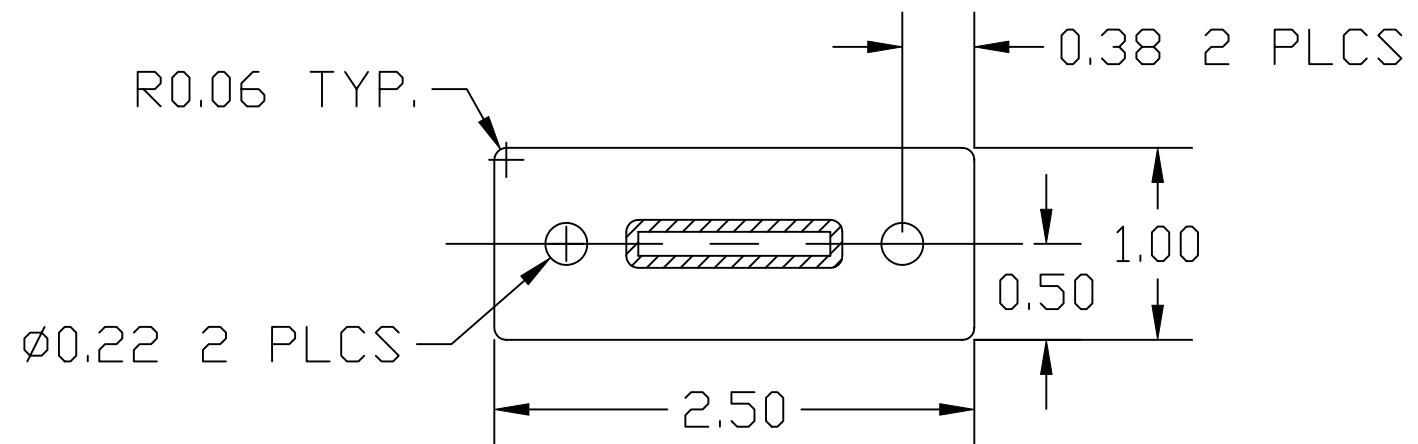
ROLLER BRACKET

FABRICATE FROM 1/8" X 1" FLAT BAR
 MATERIAL: 304 SS
 3 REQ'D PER BOAT



ROLLER BAR

FABRICATE FROM 3/8" ROUND BAR
 MATERIAL: 304 SS
 1 REQ'D PER BOAT



| | | | | | | | |
|---|--------------------------------------|--------------|-----------|--|------------------|------------------------|---------------------|
| C CHANGE ROLLER LENGTH BACK TO 1.63" DAN S. 4/23/96 | B LENGTHEN ROLLER & ROLLER BAR | 1ST ISSUE | REVISIONS | PROPRIETARY INFORMATION: This document discloses information for which HUNTER MARINE CORP. has proprietary rights. | | | |
| | | | | DO NOT SCALE | | | |
| TOLERANCES UNLESS OTHERWISE SPECIFIED: | | | | | | | |
| FRACTIONAL ± N/A | | | | | | | |
| 2 PLACE DECIMAL ± N/A | | | | DRAWING TITLE: H376HALY'D DEFLECTOR BRACKETS | | | |
| 3 PLACE DECIMAL ± N/A | | | | PAPER SIZE B | DRAWN BY: KJC | DATE: 10.30.95 | SCALE: FULL SIZE |
| 4 PLACE DECIMAL ± N/A | | | | PLOT SCALE: 1=1 | | HUNTER PART NO. N/A | |
| ANGULAR ± N/A | | | | DRAWING NO. H37B2016 | | | |
| FINISH: | | | | | | | |