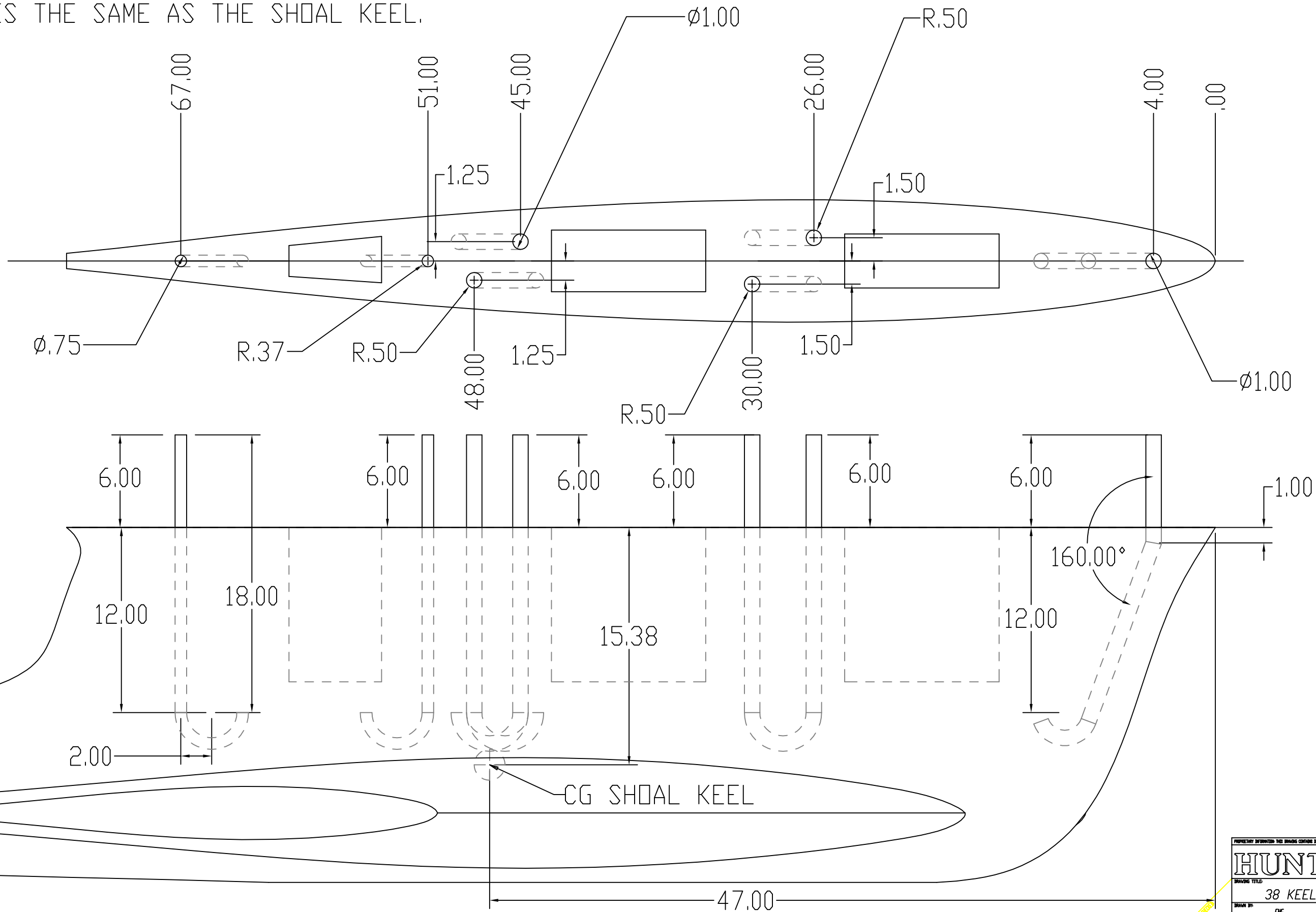


NOTES:

1. THE BOLT PATTERN FOR THE DEEP KEEL IS THE SAME AS THE SHOAL KEEL.

SYMBOL	REVISIONS	DATE	ENG
A	PRELIMINARY	09/09/03	GMH



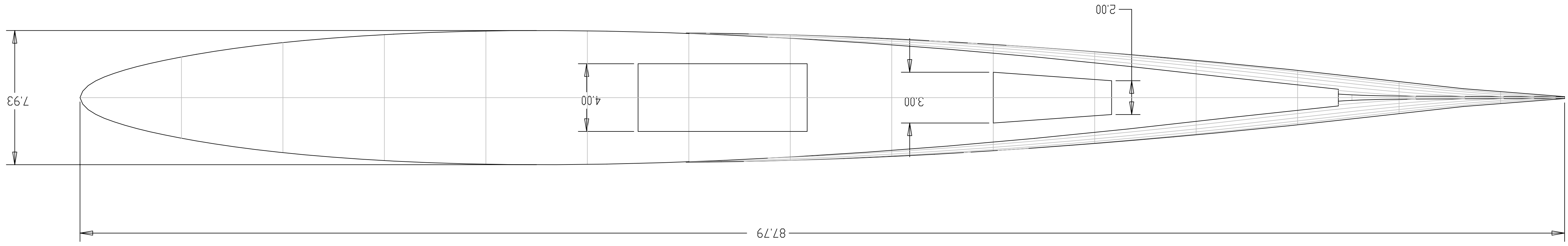
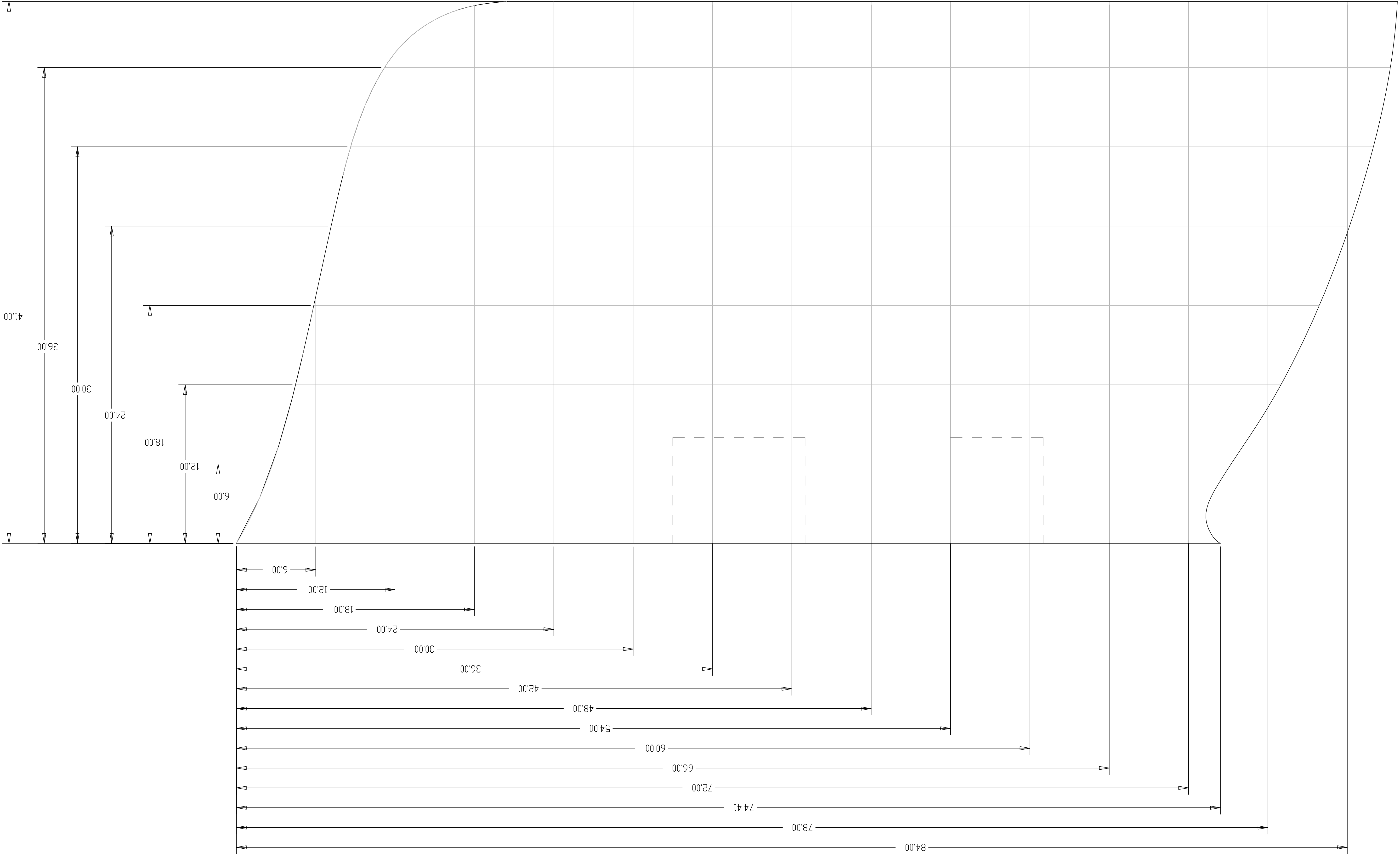
PROPERTY INFORMATION THIS DRAWING CONTAINS INFORMATION FOR WHICH HUNTER MARINE CORPORATION HAS PROPRIETARY RIGHTS.

HUNTER 38

DRAWING TITLE: 38 KEEL BOLT PATTERN

DRAWN BY: ENG	DATE: 09-09-03	SHEET: 1	OF: 2
SCALE: 1:1	HUNTER PART NO: 700	REVISION:	DRAWN BY: GMH

38 KEEL



DATE

SCALE: 1/8" = 1'-0"
 DRAWN BY: JMM
 CHECKED BY: JMM
 DATE: 08-24-00
 SHEET 1 OF 5

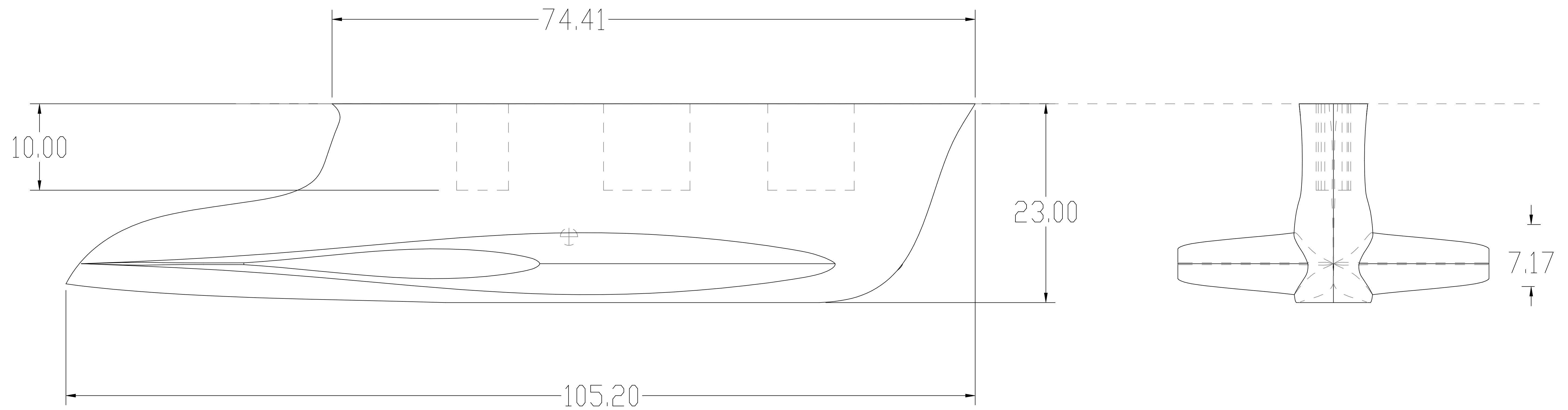
KEEP, DEEP

HUNTER 38

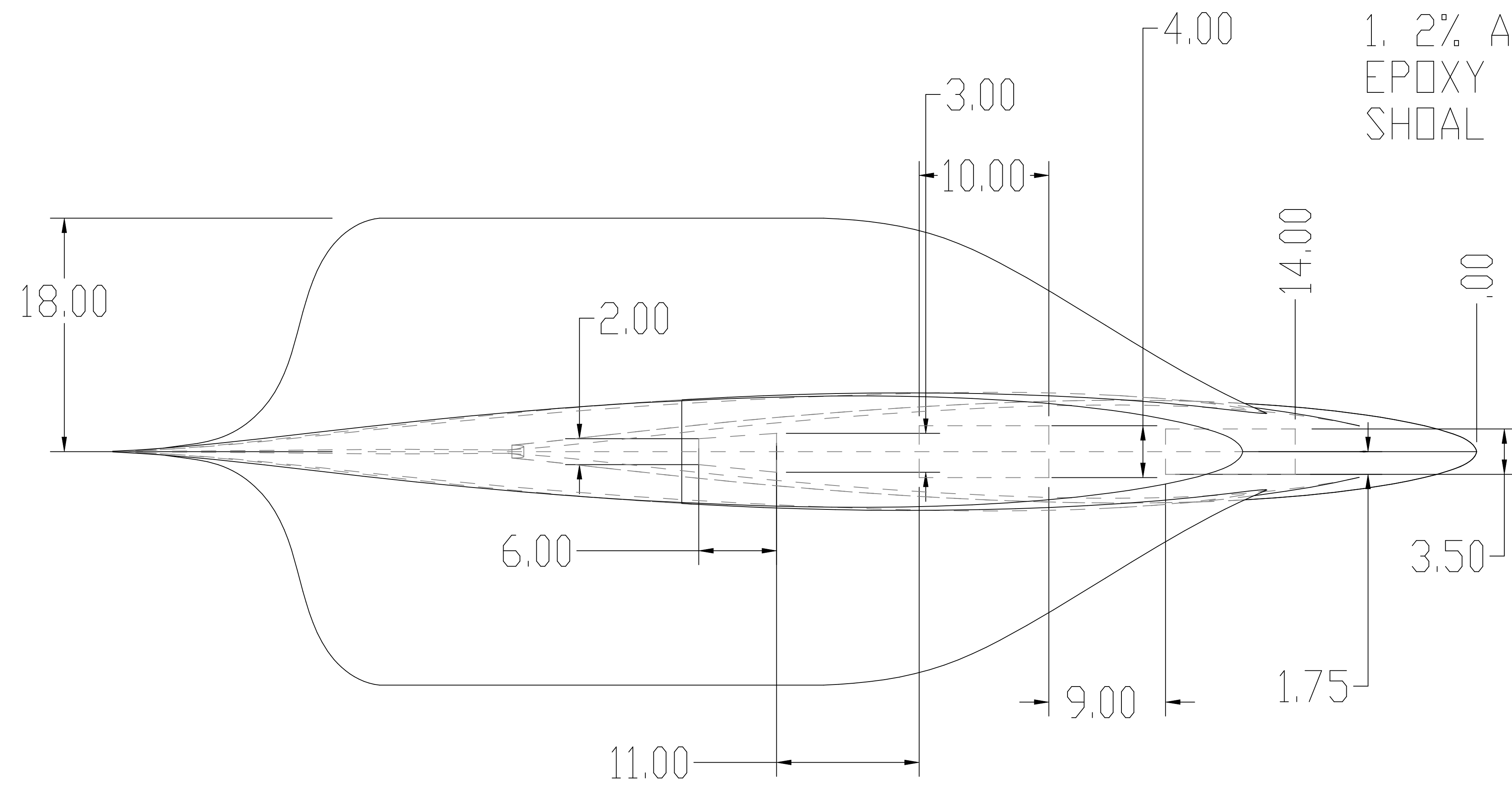
PROPERTY INFORMATION THIS DRAWING CONTAINS INFORMATION FOR WHICH HUNTER MARINE CORPORATION HAS PROPRIETARY RIGHTS

SYMBOL	REVISIONS	DATE	ENG

SYMBOL	REVISIONS	DATE	ENG



KEEL SPECS:
 1. 2% ANTIMONY CONTENT
 EPOXY COAT FINISH
 SHOAL KEEL WEIGHT= 6220 LBS / 2821 KGS.



PROPRIETARY INFORMATION THIS DRAWING CONTAINS INFORMATION FOR WHICH HUNTER MARINE CORPORATION HAS PROPRIETARY RIGHTS.			
HUNTER		38	
DRAWING TITLE: SHOAL KEEL			
DRAWN BY: GMH	DATE: 08-Sep-03	SHEET: 2	OF: 3
SCALE: 1/8"	HUNTER PART NO: 180	REVISION:	DRAW # 38 KEEL