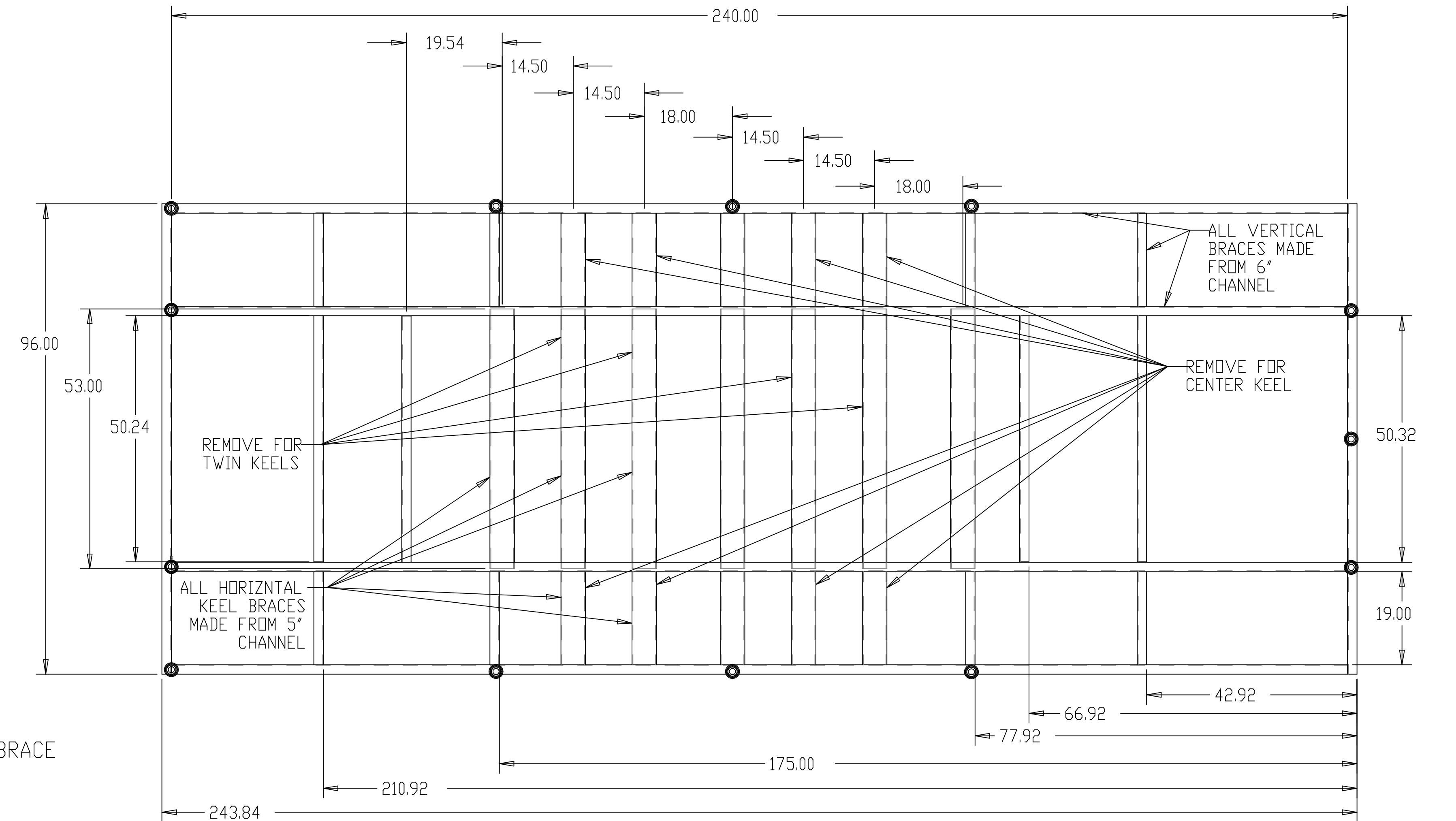
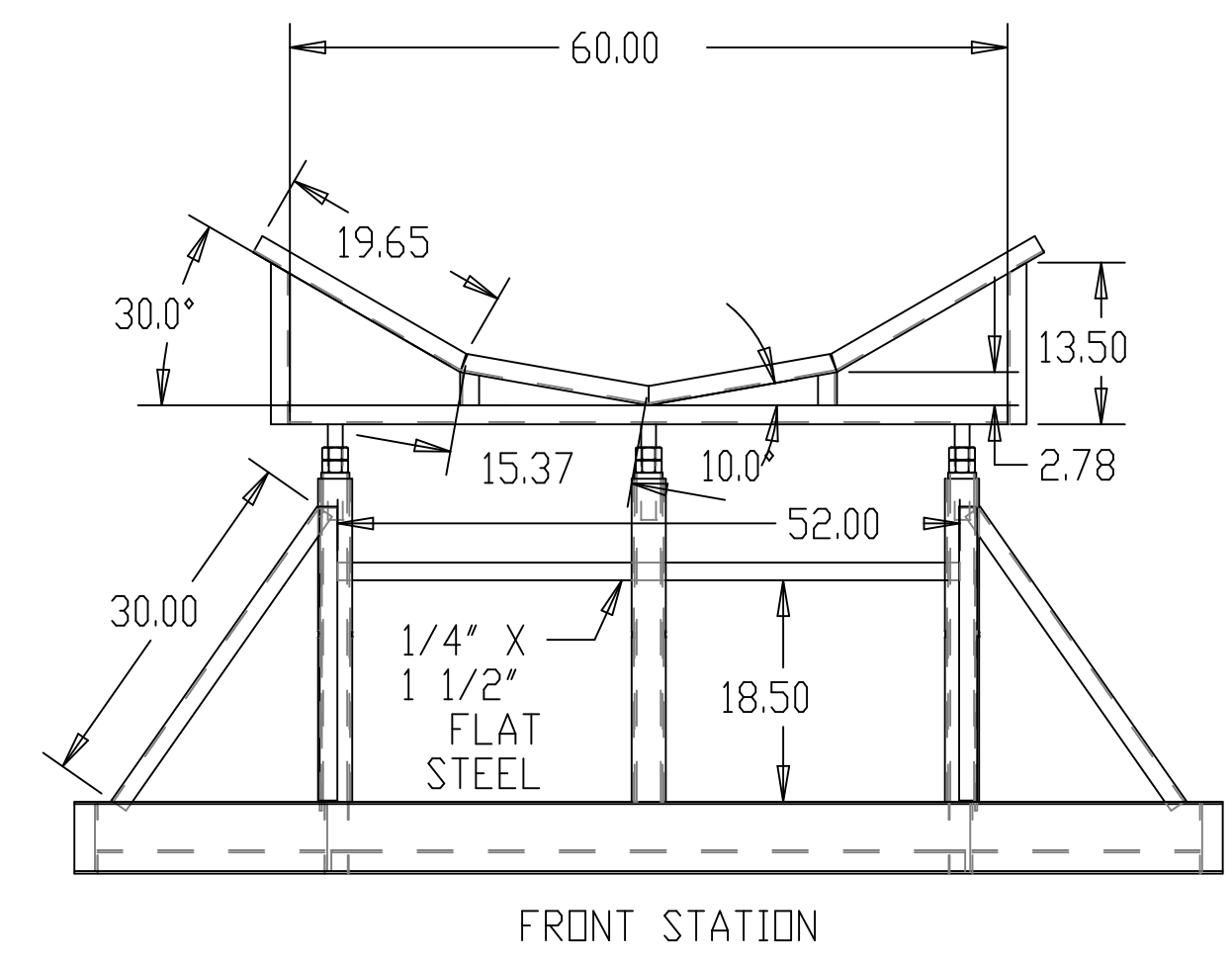
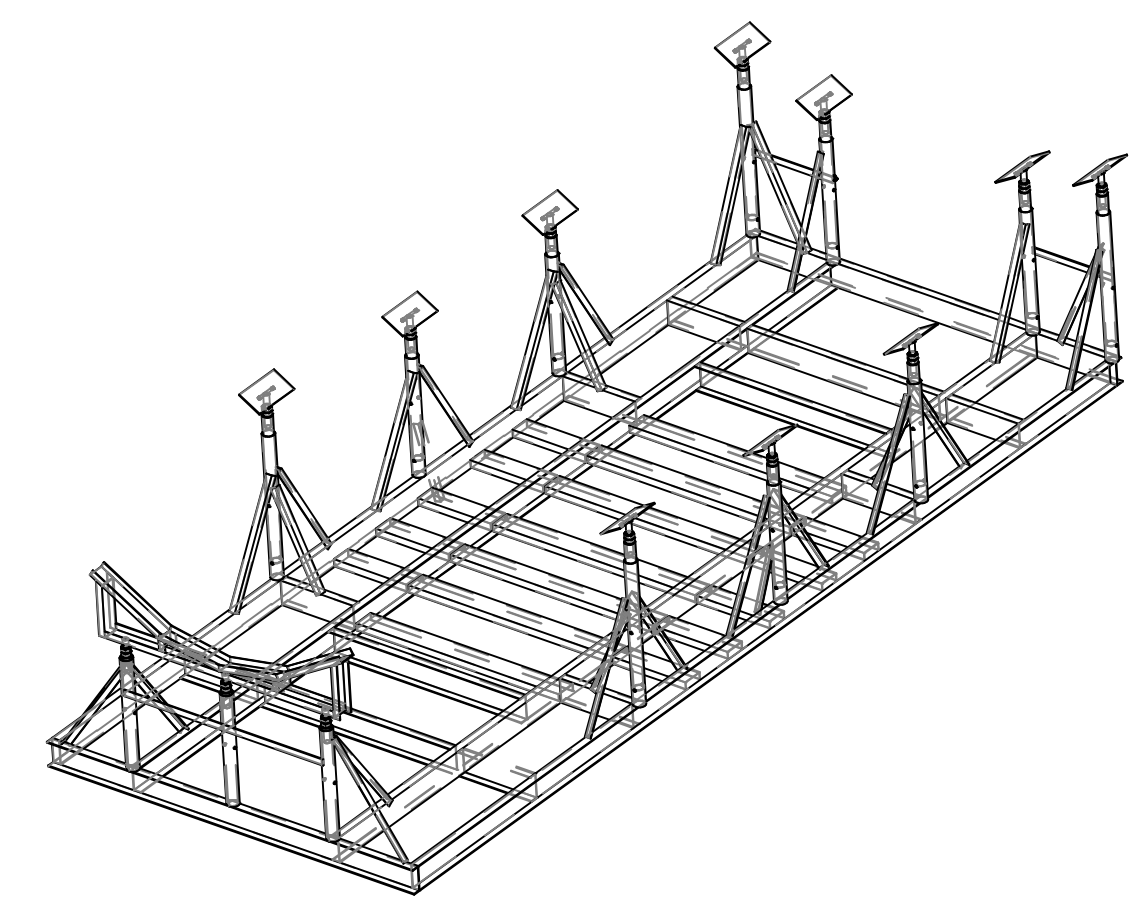
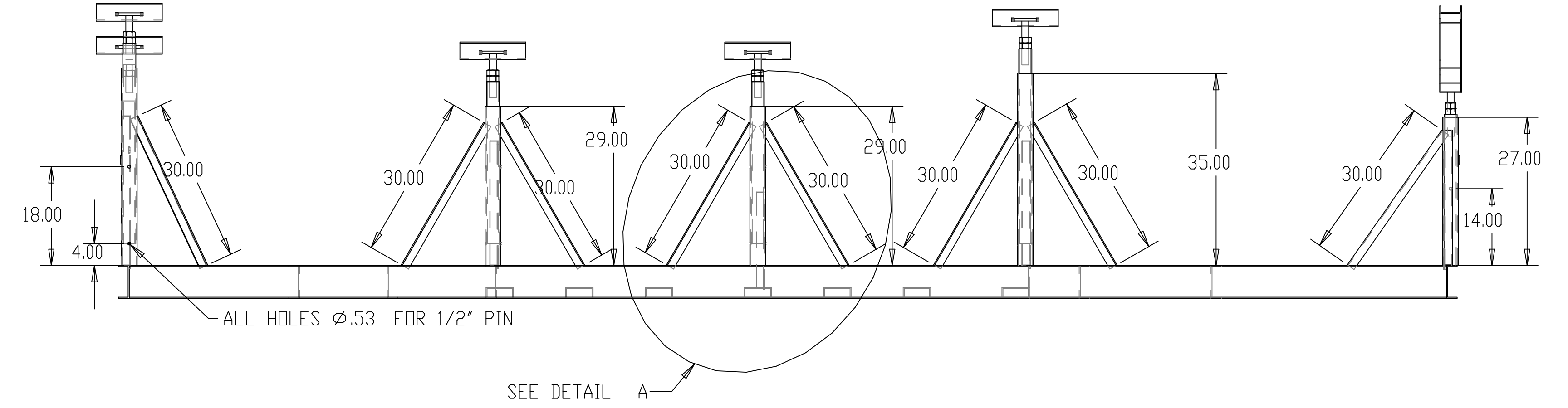
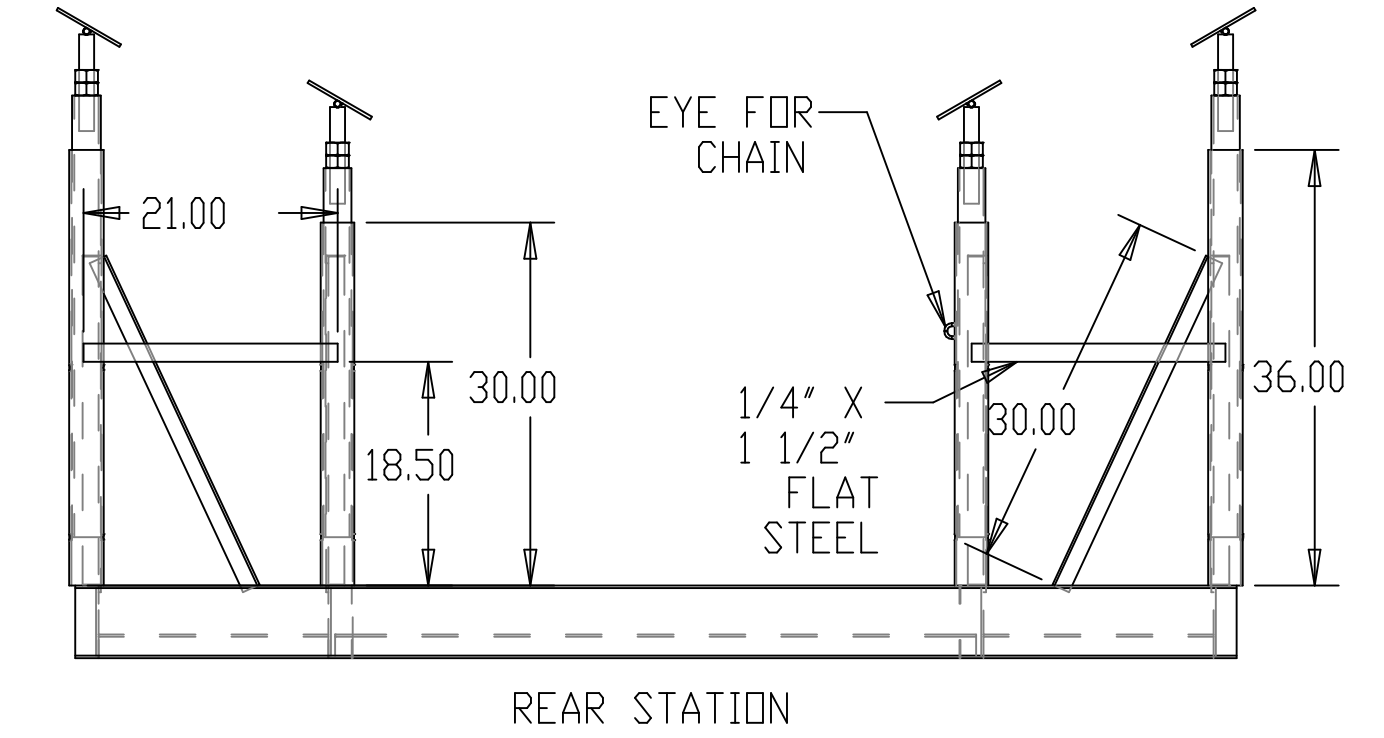
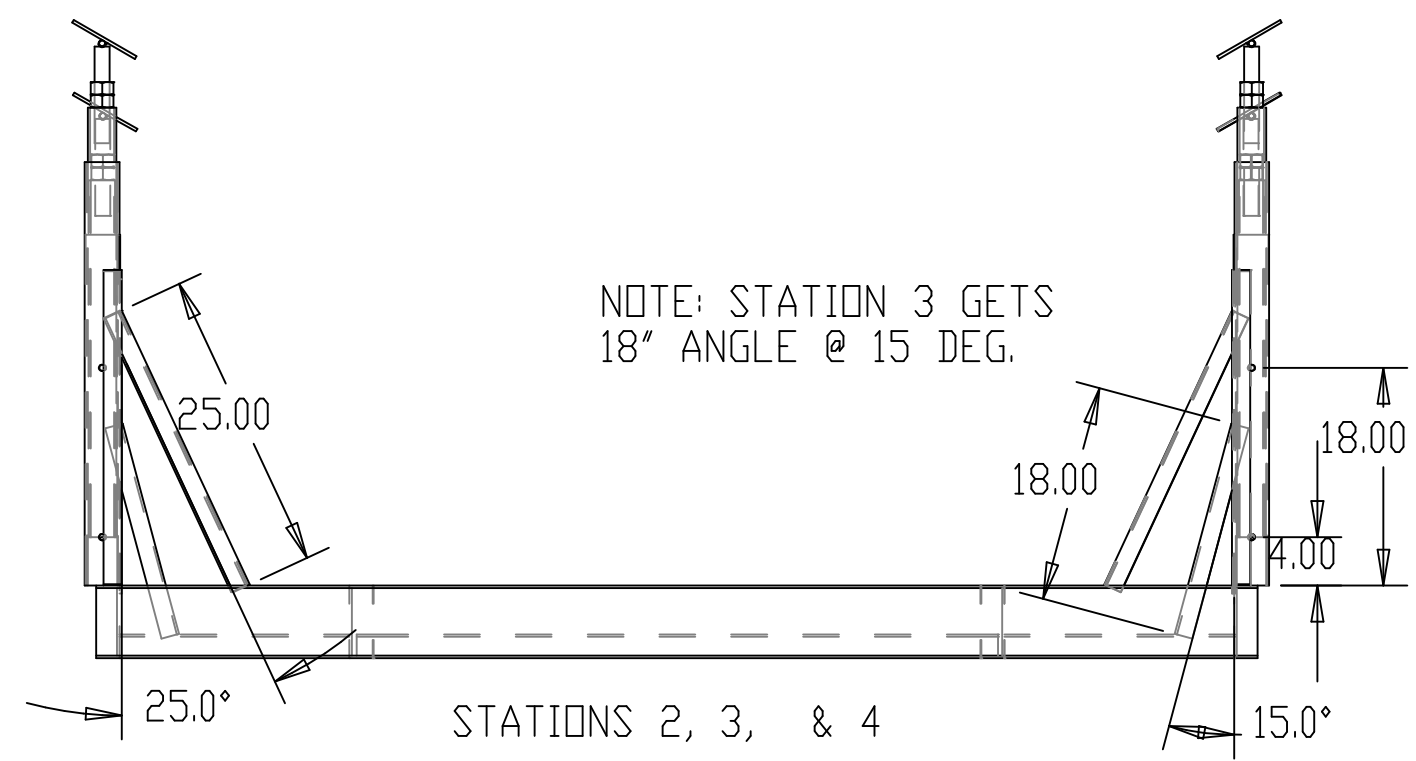
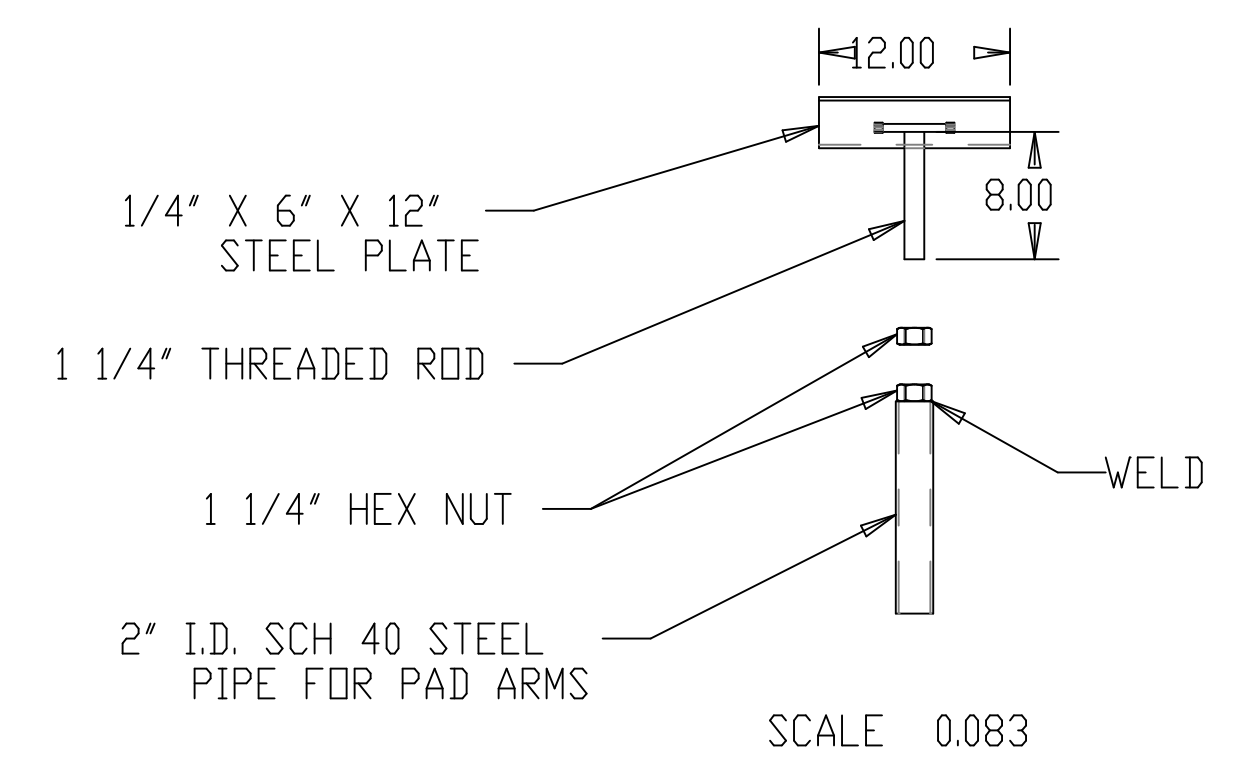


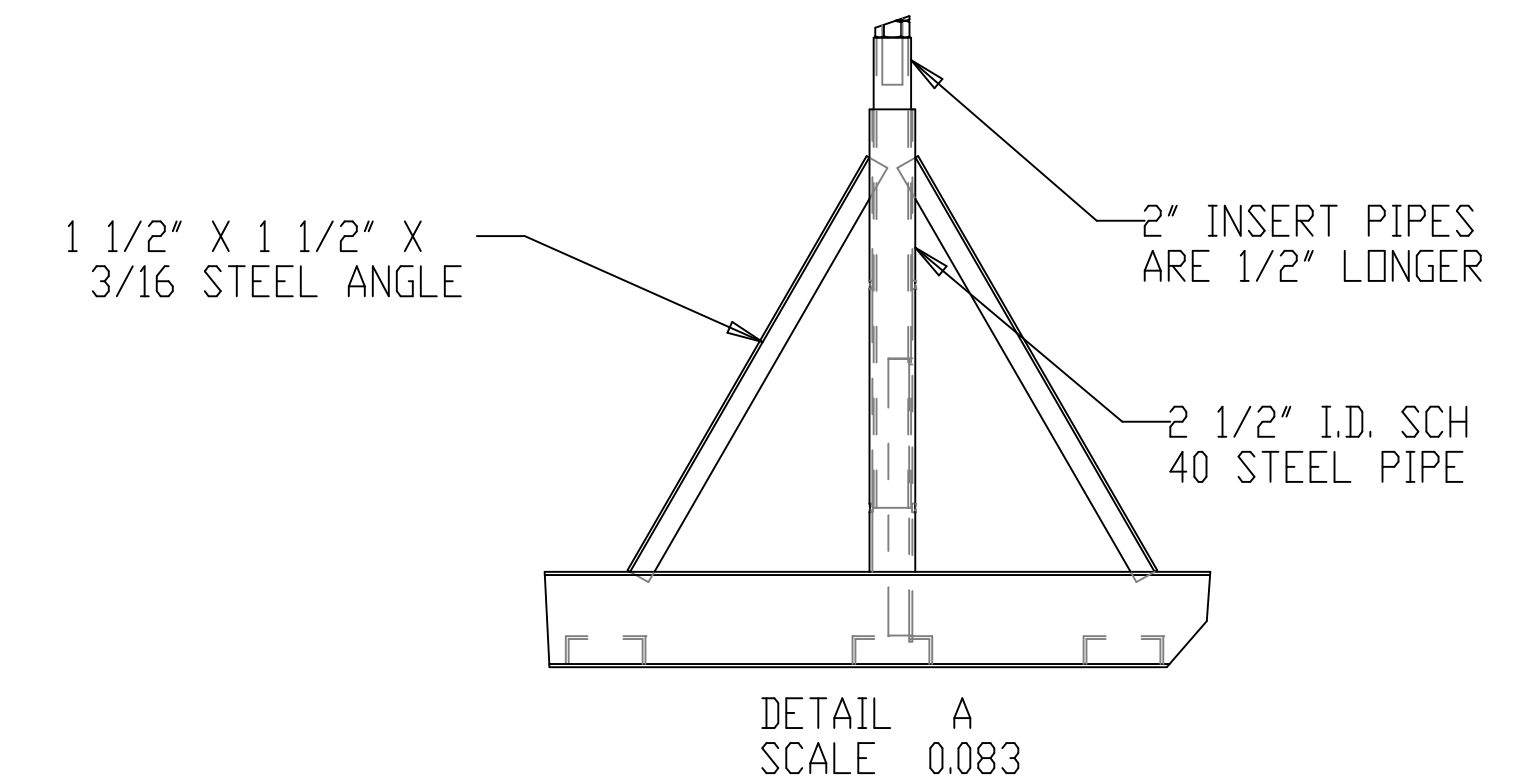
SYMBOL	REVISIONS	DATE	ENG
	PRELIMINARY	04/20/04	AFF



ADJUSTABLE PAD SUPPORT



TYPICAL PAD SUPPORT BRACE



MATERIALS: 6" X .20" X 1.92" STEEL CHANNEL
 5" X .19" X 1.75" STEEL CHANNEL
 4" X .18" X 1.58" STEEL CHANNEL
 1 1/2" X 1 1/2" X 3/16" STEEL ANGLE
 2" I.D. SCH 40 STEEL TUBE
 2 1/2" I.D. SCH 40 STEEL TUBE
 1/4" X 1 1/4" FLAT STEEL

PROPRIETARY INFORMATION THIS DRAWING CONTAINS INFORMATION FOR WHICH HUNTER WORK CORPORATION HAS PROPRIETARY RIGHTS.

HUNTER 38

DRAWING TITLE: 38 SHIPPING CRADLE

DRAWN BY: AFF DATE: 20-Apr-04 SHEET 1 OF 1

SCALE: 0.083 HUNTER PART NO. TBD REVISION: - DRAW # 38 SHIPPING CRADLE