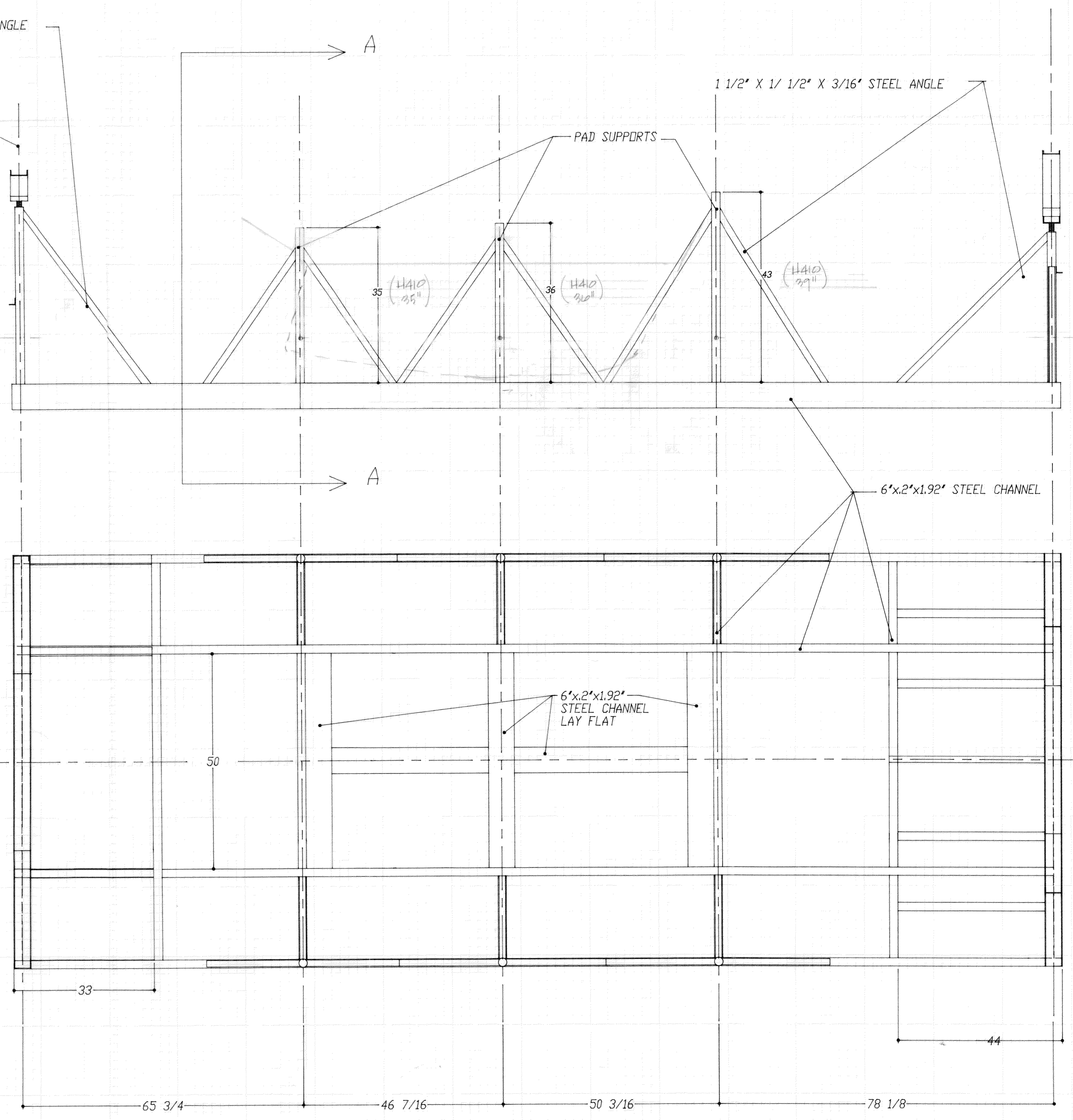


1 1/2" X 1/2" X 3/16" STEEL ANGLE

TO POSITION BOAT IN CRADLE
SHAFT EXITS HULL HERE

DRILL FOR
1/2" P. PIN (14)



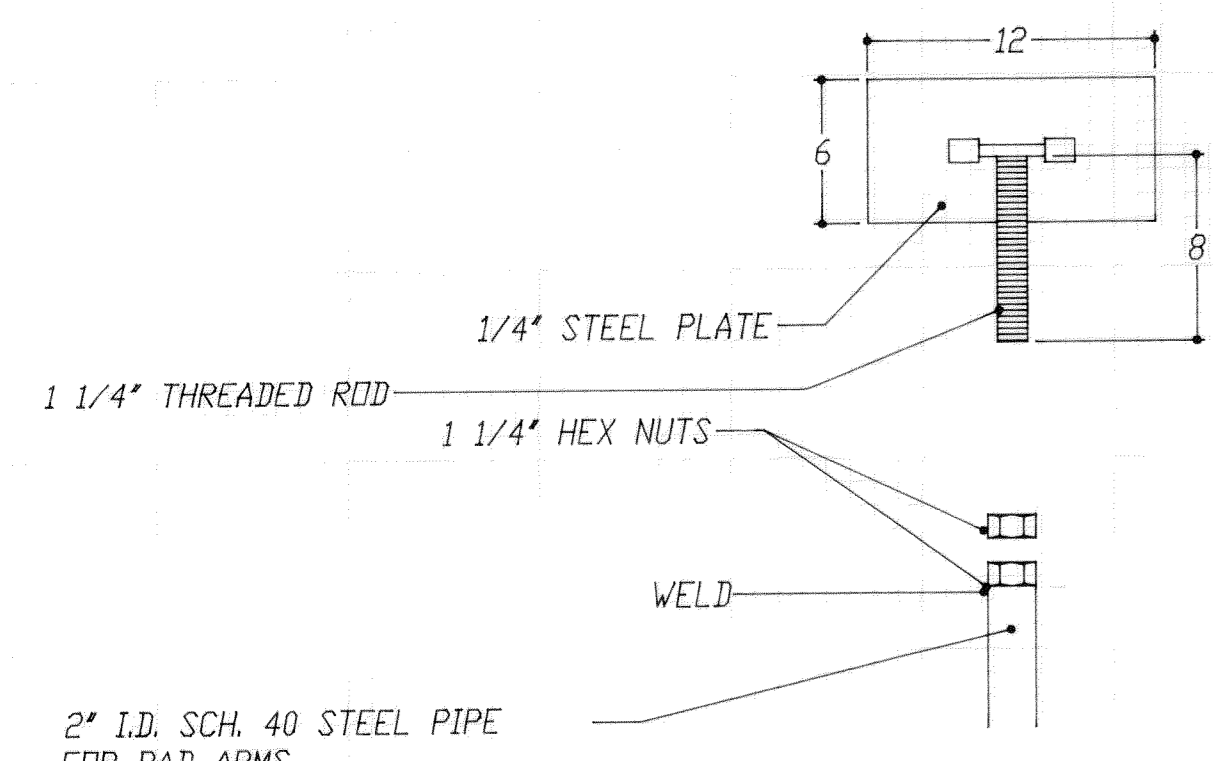
1 1/2" X 1/2" X 3/16" STEEL ANGLE

PAD SUPPORTS

6x2x1.92" STEEL CHANNEL
LAY FLAT

ADJUSTABLE PAD SUPPORT

SCALE: 1 1/2" = 12"



ADJUSTABLE PAD ARMS SHOULD BE THE FOLLOWING LENGTHS AND QUANTITIES:

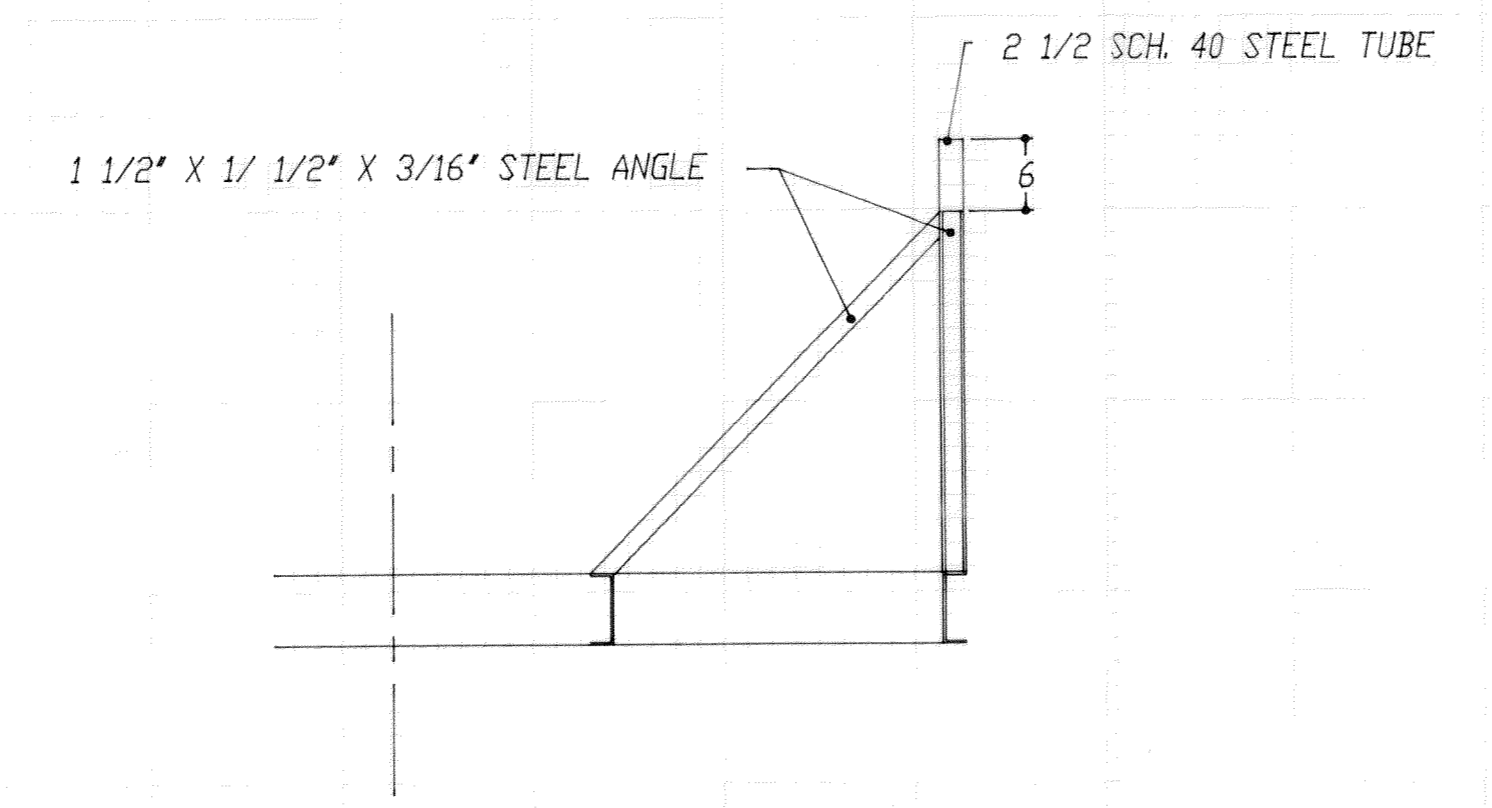
- 2 @ 33 1/2"
- 2 @ 34 1/2"
- 2 @ 43 1/2"

ALL DIMENS GIVEN TO TOP OF WELDED NUT

- 4 @ 31 1/2"
- 2 @ 43"
- 4 @ 38"
- 2 @ 36 1/2"
- 2 @ 40 1/2"

SECTION AA

TYPICAL PAD SUPPORT BRACE



NOTE: MATERIALS: 6x200x1.92" STEEL CHANNEL
 4x180x1.58" STEEL CHANNEL
 1 1/2" X 1/2" X 3/16" STEEL ANGLE
 2" ID SCH 40 STEEL TUBE
 2 1/2" SCH 40 STEEL PIPE

WELDING: WELD ALL JOINTS WITH MIN. 1/8" FILLET, BEVEL, ETC.

ALL DIMENSIONS IN INCHES

DRILL FOR 1/2" P. PIN 11" UP FROM CRADLE PAGE GENIE 11/2/91
 REVISION: FIT A10 SHIP SEE DIM LABELLED (A10) 7-16-91 GENIE

DO NOT SCALE		TOLERANCES UNLESS OTHERWISE SPECIFIED	
FRACTIONAL	± N/A	3 PLACE DECIMAL	± N/A
4 PLACE DECIMAL	± N/A	ANGULAR	± N/A
FINISH	N/A	PLATE SCALE	.0625=1

REVISIONS	DATE	BY	DESCRIPTION
A	CHANGED HEIGHTS OF LEGS TO 8"		

HUNTER		L40.5 SHIPPING CRADLE	
PAPER SIZE	D	DRAWN BY	LDM
DATE	5-12-92	SCALE	3/4"=1'-0"
PLANT	0625=1	HUNTER PART NO.	N/A
FINISH	N/A	DRAWING NO.	L40-D-2507