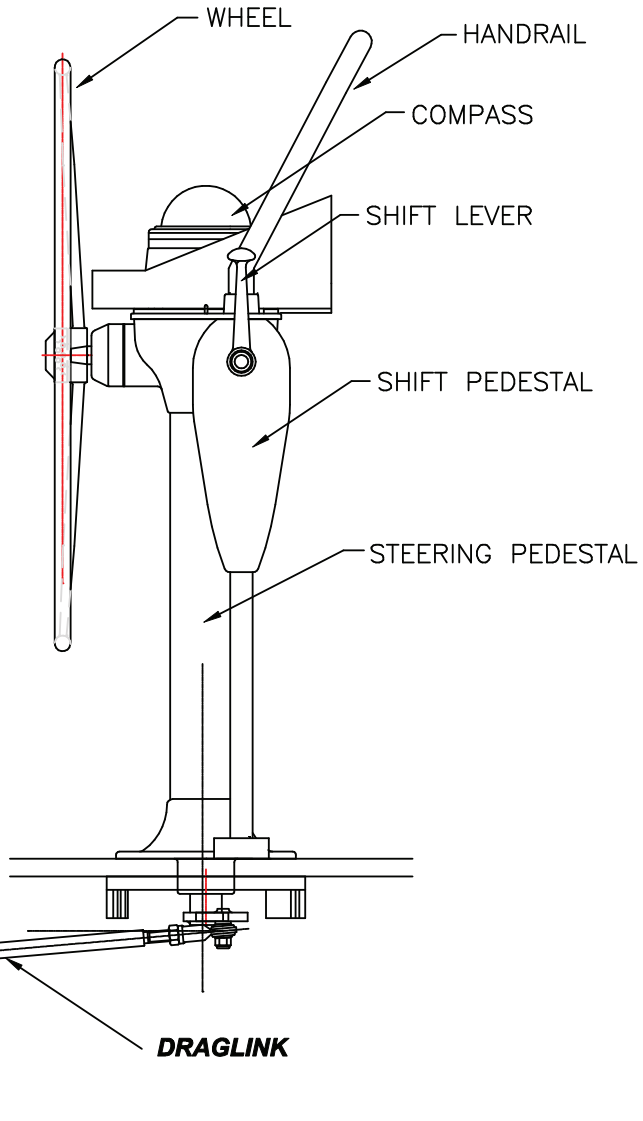
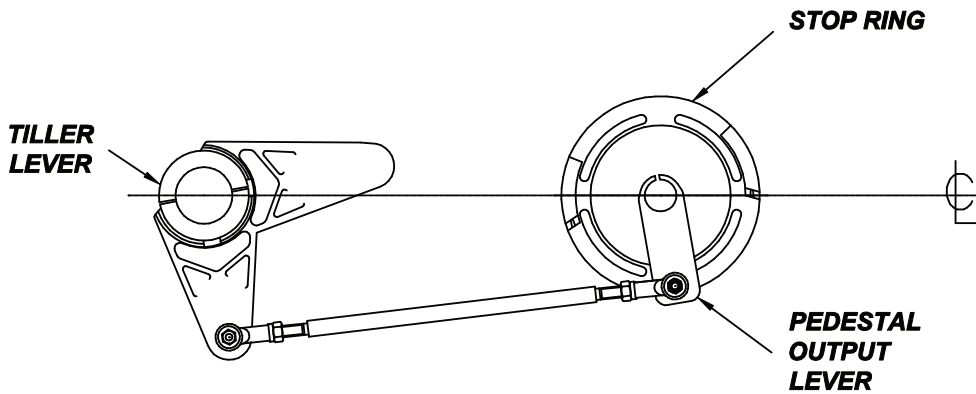


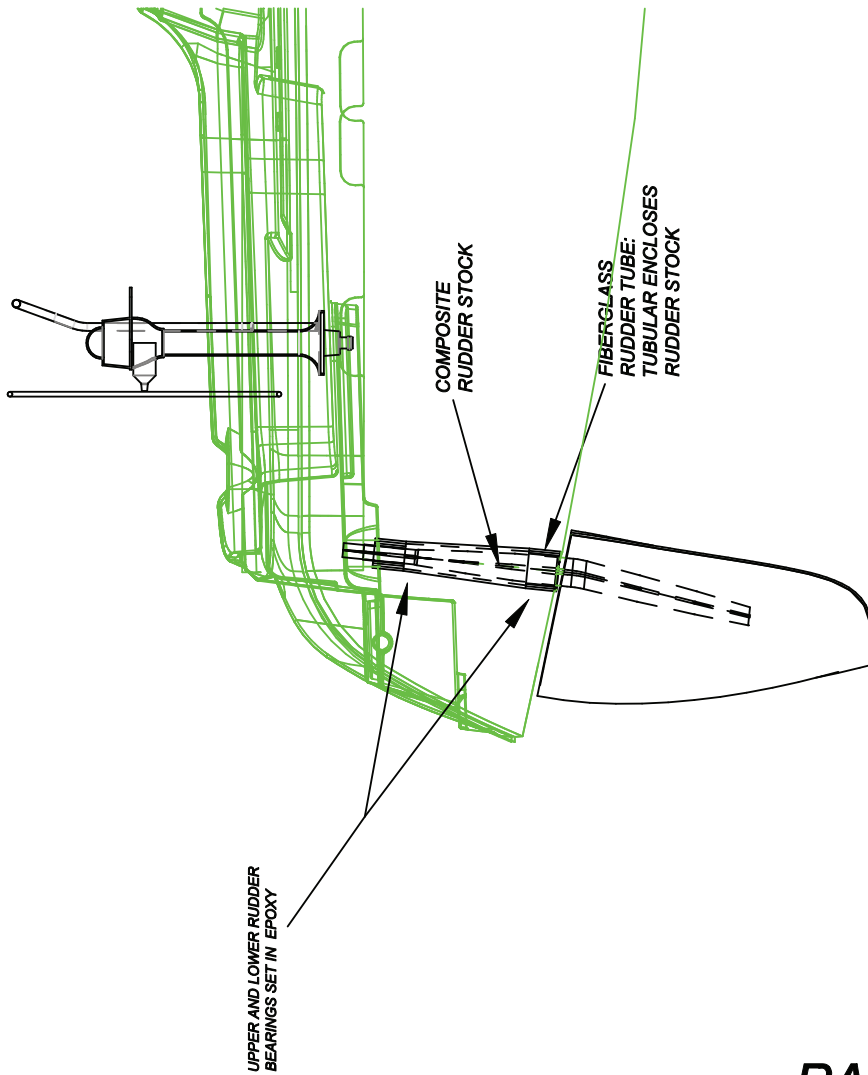
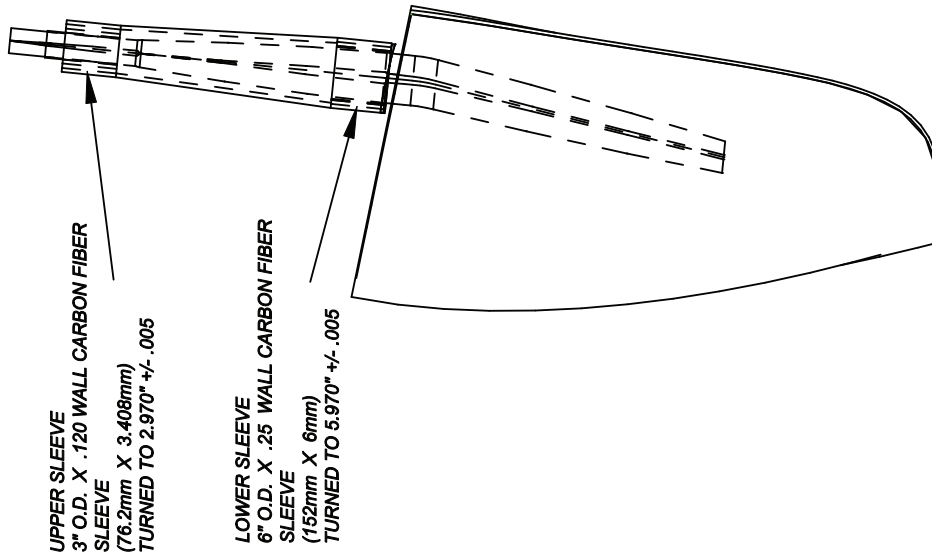


**STEERING CONSOLE HOLDS INSTRUMENTS SUCH AS KNOTMETER, DEPTH GAUGE, WIND INDICATOR, ETC. CONFIGURATIONS MAY VARY WITH DIFFERENT OPTIONS.**



**SEE WHITLOCK PROVIDED MATERIAL FOR DETAILED INFORMATION ON COMPONENTS, MAINTENANCE, ETC**



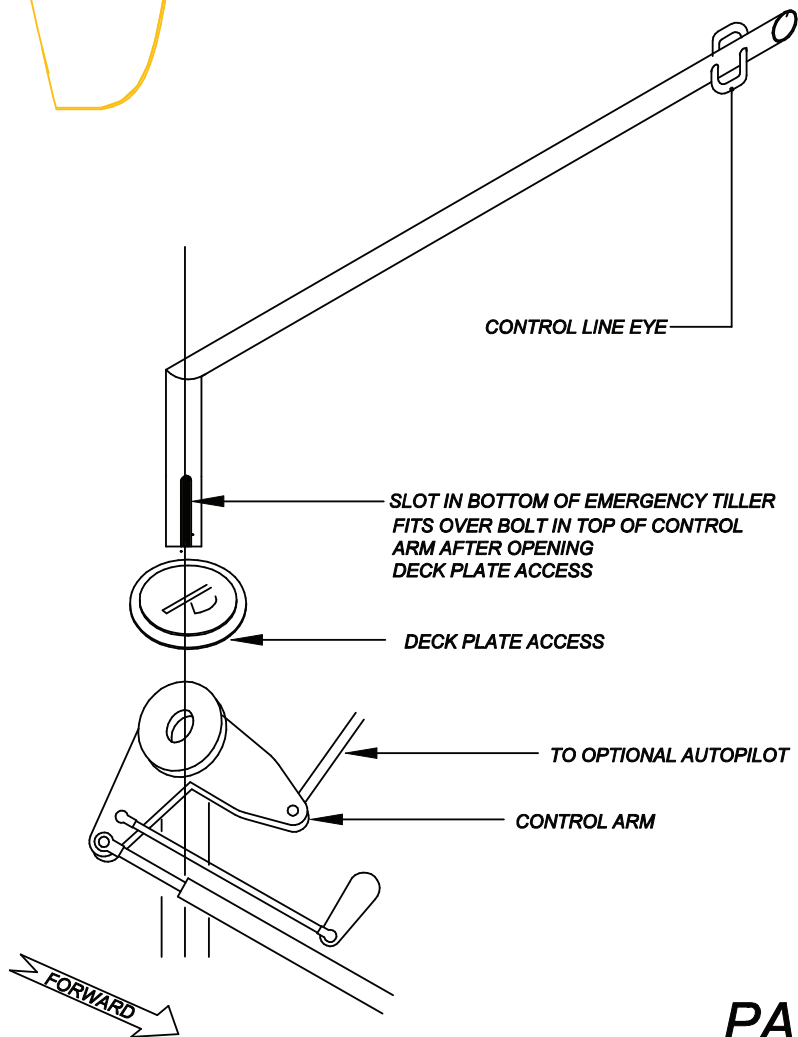
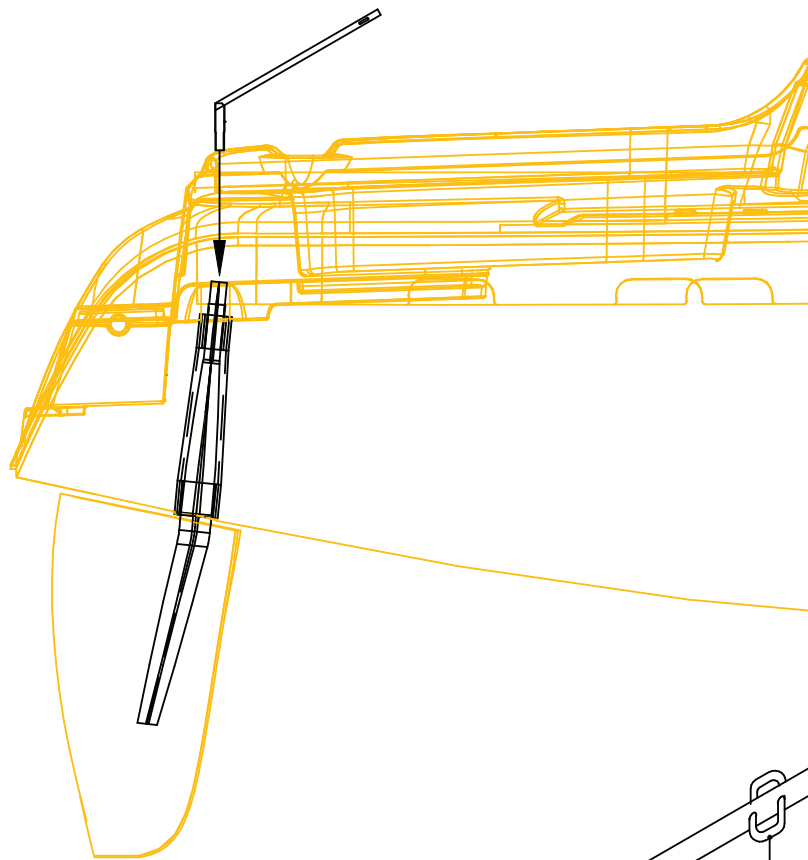


This document contains information for which HUNTER MARINE CORP. has proprietary rights.



**RUDDER AND STOCK DETAILS**

|             |              |          |
|-------------|--------------|----------|
| DRAWING NO. | REVISION NO. | DATE     |
| 3968067     | None         | 12/10/02 |
| DRAWN BY:   | ENG          |          |



THIS DOCUMENT DISCLOSES INFORMATION FOR WHICH HUNTER MARINE CORP. HAS PROPRIETARY RIGHTS.



**EMERGENCY TILLER ARM**

|             |         |              |          |
|-------------|---------|--------------|----------|
| DRAWING NO. | 3968068 | REVISION NO. | None     |
| DRAWN BY:   | ENG     | DATE:        | 12/10/02 |