

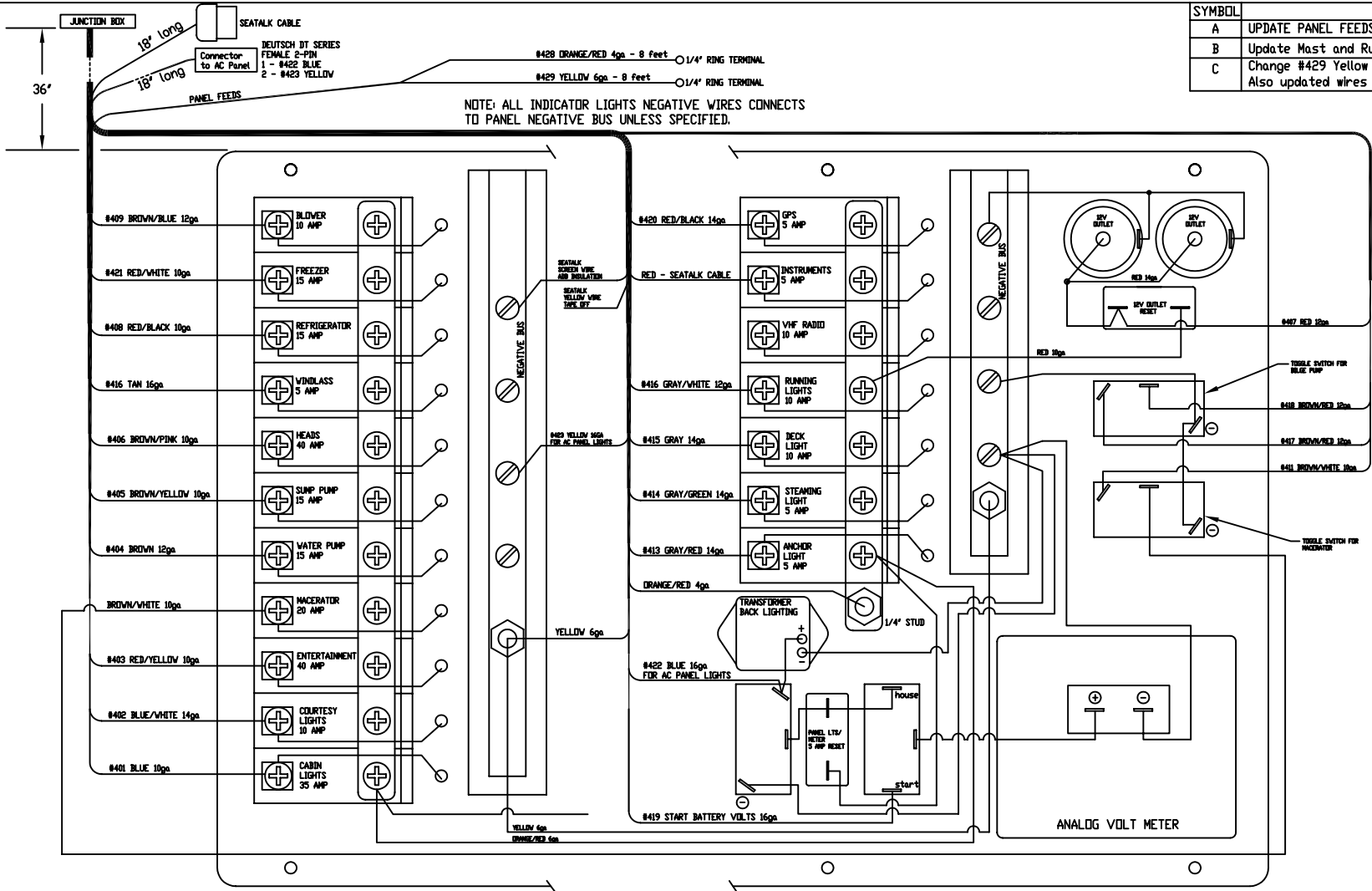
41
SCHEMATICS

12/1/2005

INDEX

PAGE

3. *DC Panel Schematic*
4. *DC Panel to Junction box wire list*
5. *Junction Box Schematic*
6. *Junction Box Tree Schematic*
7. *AC Panel Schematic part 1, (for vendor)*
8. *AC Panel Schematic part 2*
9. *Isolation Transformers – 2 pages*
11. *Battery Panel Face Layout*
12. *Battery Panel Schematic, (for vendor)*
13. *Battery Panel Schematic, 120VAC boats*
14. *Battery Panel Schematic, 230VAC boats.*
15. *Hull to Deck terminal block schematic*
16. *Cut sheet for AC wires in module stage*
17. *Cut sheet for DC cables – Stage 24A, 26 and 56*
18. *Cut sheet for Options*
20. *Hull harness wire list*
24. *Deck harness wire list*
26. *Hull harness schematics*
31. *Deck harness schematics*
36. *Automatic Fire Extinguisher Schematic*
37. *High water pump Schematic*



SYMBOL	REVISIONS	DATE	ENG
A	UPDATE PANEL FEEDS AND LENGTHS.	6/11/2003	JLK
B	Update Mast and Running light wires to 14&12ga.	11/24/2003	JLK
C	Change #429 Yellow from 3 1/2' to 8'. Also updated wires from panel to junction box.	6/30/2004	JLK

PROPRIETARY INFORMATION THIS DRAWING CONTAINS INFORMATION FOR WHICH HUNTER MARINE CORPORATION HAS PROPRIETARY RIGHTS.



DRAWING TITLE: DC PANEL SCHEMATIC			
DRAWN BY: JLK	DATE: 10-Mar-03	SHEET 1	OF 1
SCALE: 0.625	HUNTER PART NO. TBD	REVISION -	DRAW # ---

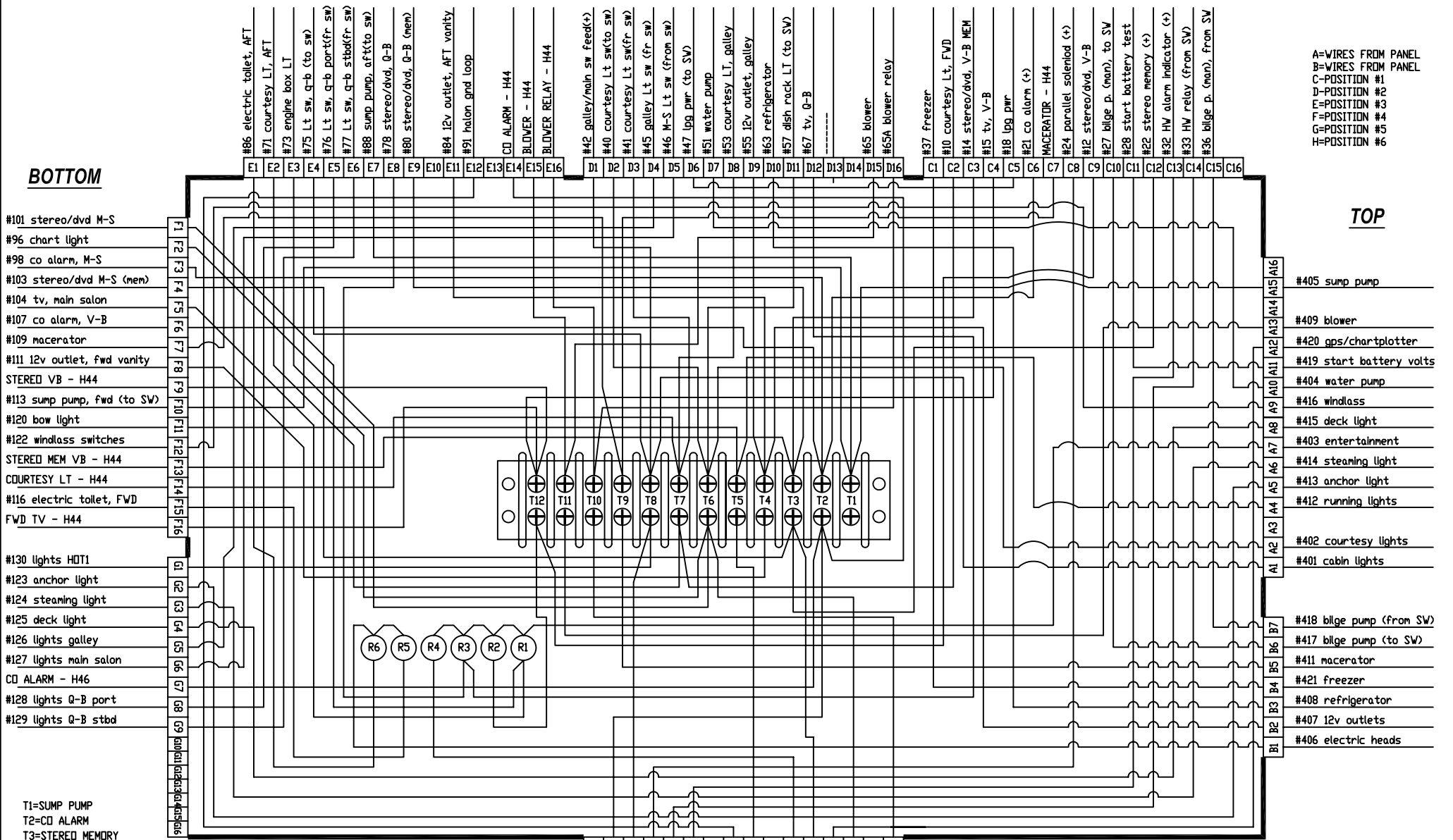
CHECKED

41 PANEL TO JUNCTION BOX WIRE LIST

WIRE#	GAUGE	COLOR	FEET	DESCRIPTION	NOTES:	INCHES
401	10ga	Blue	3	CABIN LIGHTS	Length measured from bottom left corner.	36
402	14ga	Blue/White	3	COURTESY LIGHTS		36
403	10ga	Red/Yellow	3	ENTERTAINMENT		36
404	12ga	Brown	3	WATER PUMP		36
405	10ga	Brown/Yellow	3	SUMP PUMP		36
406	10ga	Brown/Pink	3	ELECTRIC HEADS		36
407	12ga	Red	3	12VDC OUTLETS		36
408	10ga	Red/Black	3	REFRIGERATION		36
409	12ga	Brown/Blue	3	BLOWER		36
410	14ga	White	3	FAN		36
411	10ga	Brown/White	3	MACERATOR		36
412	14ga	Grey/White	3	RUNNING LIGHTS		36
413	16ga	Grey/Red	3	ANCHOR LIGHT		36
414	16ga	Grey/Green	3	STEAMING LIGHT		36
415	16ga	Grey	3	DECK LIGHT		36
416	16ga	Tan	3	WINDLASS		36
417	12ga	Brown/Red	3	BILGE PUMP (TO SW)		36
418	12ga	Brown/Red	3	BILGE PUMP (FROM SW)		36
419	16ga	Red	3	START BATTERY VOLTS		36
420	14ga	Red/Black	3	GPS/CHARTPLOTTER		36
421	10ga	Red/White	3	FREEZER		36
428	4ga	Orange/Red	8	PANEL FEED - POWER	1/4" EYES	
429	6ga	Yellow	3.5	PANEL FEED - NEG	1/4" EYES	

BOTTOM

TOP




A=WIRES FROM PANEL
 B=WIRES FROM PANEL
 C=POSITION #1
 D=POSITION #2
 E=POSITION #3
 F=POSITION #4
 G=POSITION #5
 H=POSITION #6

T1=SUMP PUMP
 T2=CO ALARM
 T3=STEREO MEMORY
 T4=12V OUTLETS
 T5=RUNNING LIGHTS
 T6=COURTESY LT PWR
 T7=FLOOR COURTESY LTS
 T8=CABIN LIGHTS
 T9=MACERATOR
 T10=BLOWER RELAY
 T11=BLOWER
 T12=V-B ENTERTAINMENT

R1=20amp RESET, Main Entertainment
 R2=15amp RESET, V-B Entertainment
 R3=15amp RESET, Q-B Entertainment
 R4=10amp RESET, Cockpit Stereo
 R5=20amp RESET, Fwd Toilet
 R6=20amp RESET, Aft Toilet

RIGHT

PROPRIETARY INFORMATION THIS DRAWING CONTAINS INFORMATION FOR WHICH HUNTER MARINE CORPORATION HAS PROPRIETARY RIGHTS



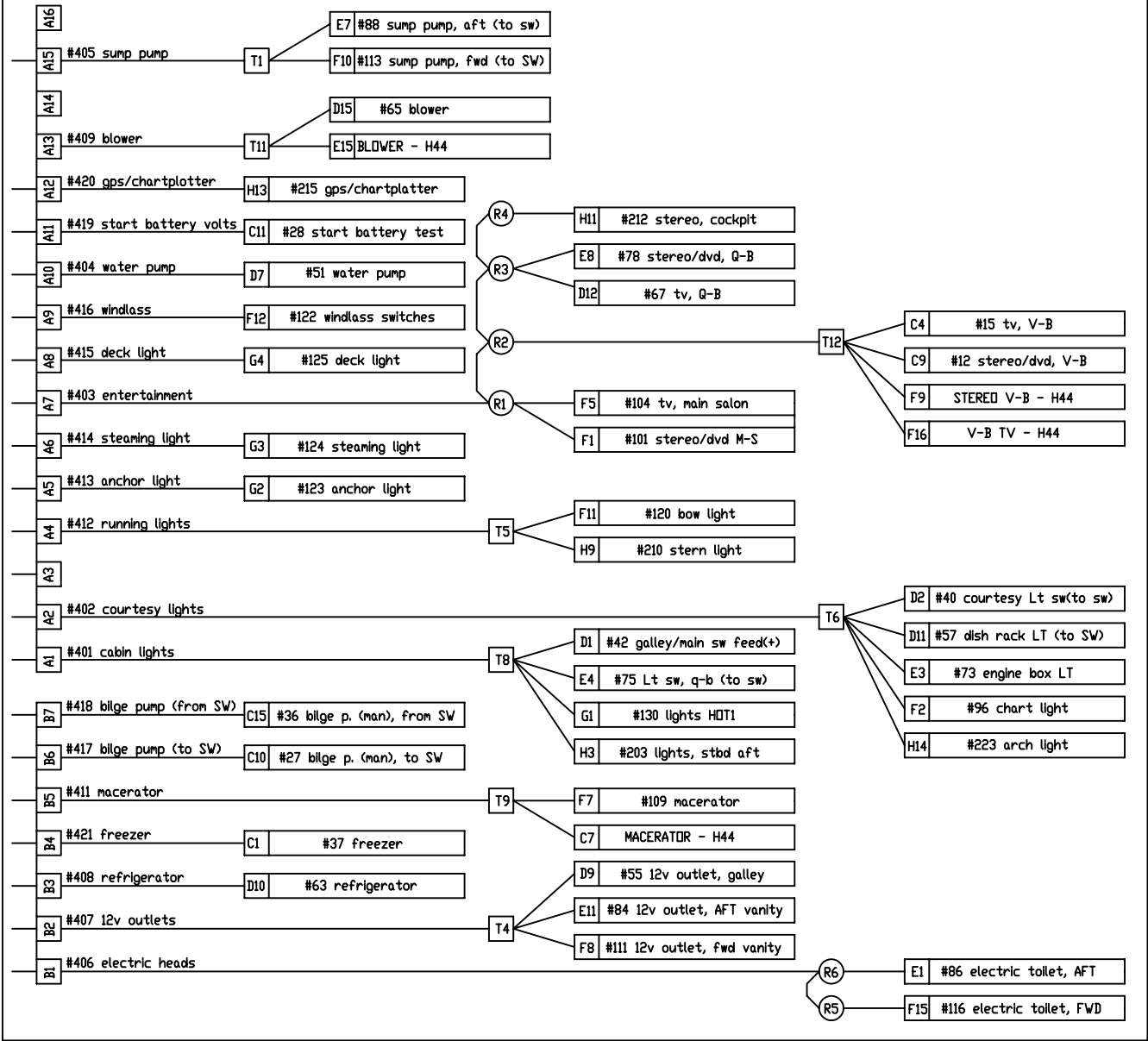
HUNTER 41

DRAWING TITLE:
ELECTRICAL JUNCTION BOX

DRAWN BY: JLK	DATE: 7/2/2004	SHEET	OF
SCALE:	HUNTER PART NO.	REVISION	DRAW #

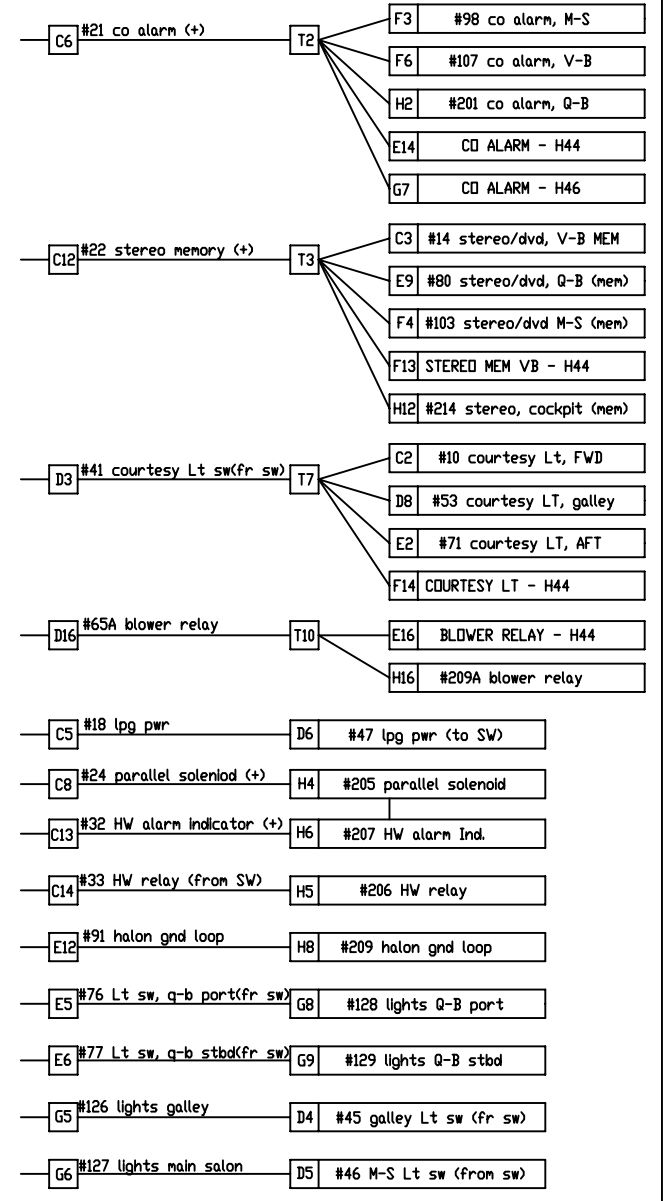
CHECKED

WIRES FROM PANEL TO HARNESS



LEGEND
 [T] = TERMINAL BLOCK
 (R) = RESET
 [A-H] = CONNECTOR PIN ASSIGNMENT

WIRES FROM HARNESS TO HARNESS



PROPRIETARY INFORMATION THIS DRAWING CONTAINS INFORMATION FOR WHICH HUNTER MARINE CORPORATION HAS PROPRIETARY RIGHTS



DRAWING TITLE:
JUNCTION BOX INTERNAL CONNECTIONS

DRAWN BY: *JLK* DATE: *11/16/2004* SHEET: OF:

LEGEND

— = 8ga wire
 — = 18-14ga wire
 10ga marked as shown.

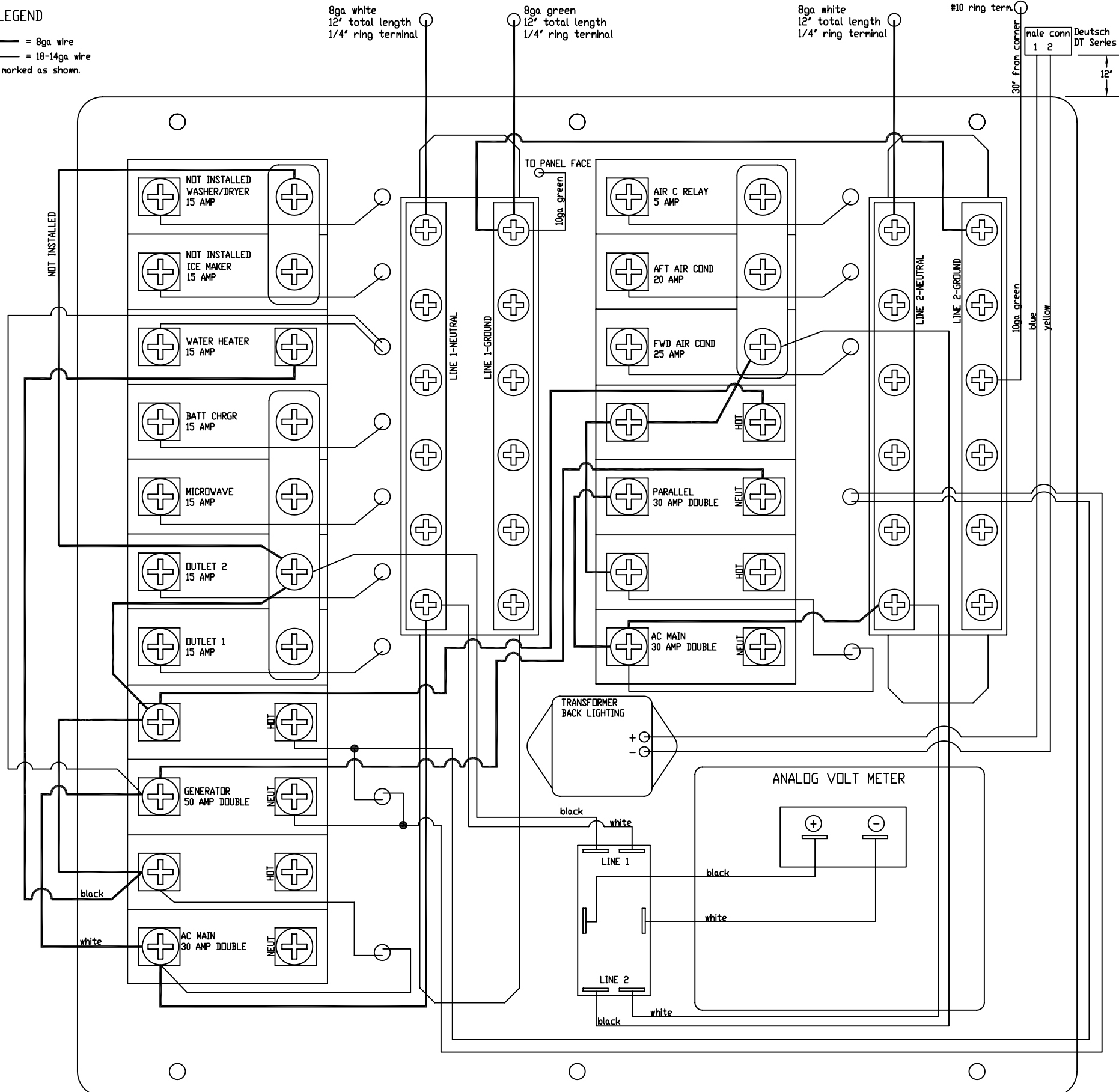
8ga white
 12" total length
 1/4" ring terminal

8ga green
 12" total length
 1/4" ring terminal

8ga white
 12" total length
 1/4" ring terminal

#10 ring term.

mole conn
 1 2
 Deutsch
 DT Series



SYMBOL	REVISIONS	DATE	ENG
A	UPDATE MAIN BREAKERS AND INDICATOR LIGHTS.	6/13/03	JLK
B	DELETE REVERSE POLARITY LIGHT	11/17/05	JLK

NOTE: ALL INDICATOR LIGHTS NEUTRAL WIRES CONNECTS TO EITHER LINE 1 OR LINE 2 NEUTRAL BUS UNLESS SPECIFIED.

BREAKER LIST FOR 120V PANEL -

- AC MAIN - 30 AMP
- GENERATOR - 50 AMP
- OUTLETS - 15 AMP
- MICROWAVE - 15 AMP
- BATTERY CHARGER - 15 AMP
- WATER HEATER - 15 AMP
- FWD AIR COND. - 25 AMP
- AFT AIR COND. - 20 AMP
- AIR COND. RELAY - 5 AMP

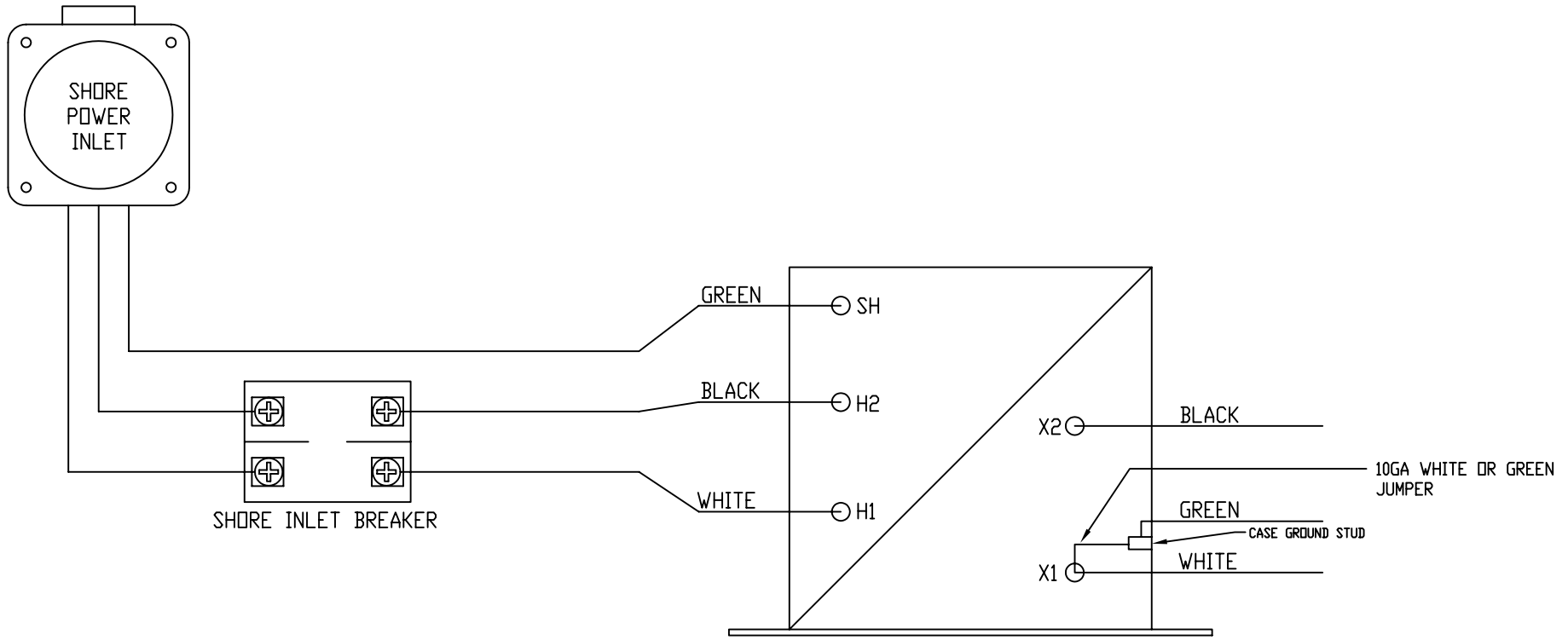
BREAKER LIST FOR 240V PANEL -

- AC MAIN - 15 AMP
- GENERATOR - 30 AMP
- OUTLETS - 10 AMP
- MICROWAVE - 10 AMP
- BATTERY CHARGER - 10 AMP
- WATER HEATER - 10 AMP
- FWD AIR COND. - 15 AMP
- AFT AIR COND. - 10 AMP
- AIR COND. RELAY - 5 AMP

PROPRIETARY INFORMATION: THIS DRAWING CONTAINS INFORMATION FOR WHICH HUNTER MARINE CORPORATION HAS PROPRIETARY RIGHTS.



DRAWING TITLE: <i>PANEL, AC WITH ANALOG METER</i>			
DRAWN BY: <i>JLK</i>	DATE: <i>05-Mar-03</i>	SHEET <i>1</i>	OF <i>1</i>
SCALE: <i>0.750</i>	HUNTER PART NO. <i>TBD</i>	REVISION <i>-</i>	DRAW # <i>DRW0002</i>



PROPRIETARY INFORMATION THIS DRAWING CONTAINS INFORMATION FOR WHICH HUNTER MARINE CORPORATION HAS PROPRIETARY RIGHTS.

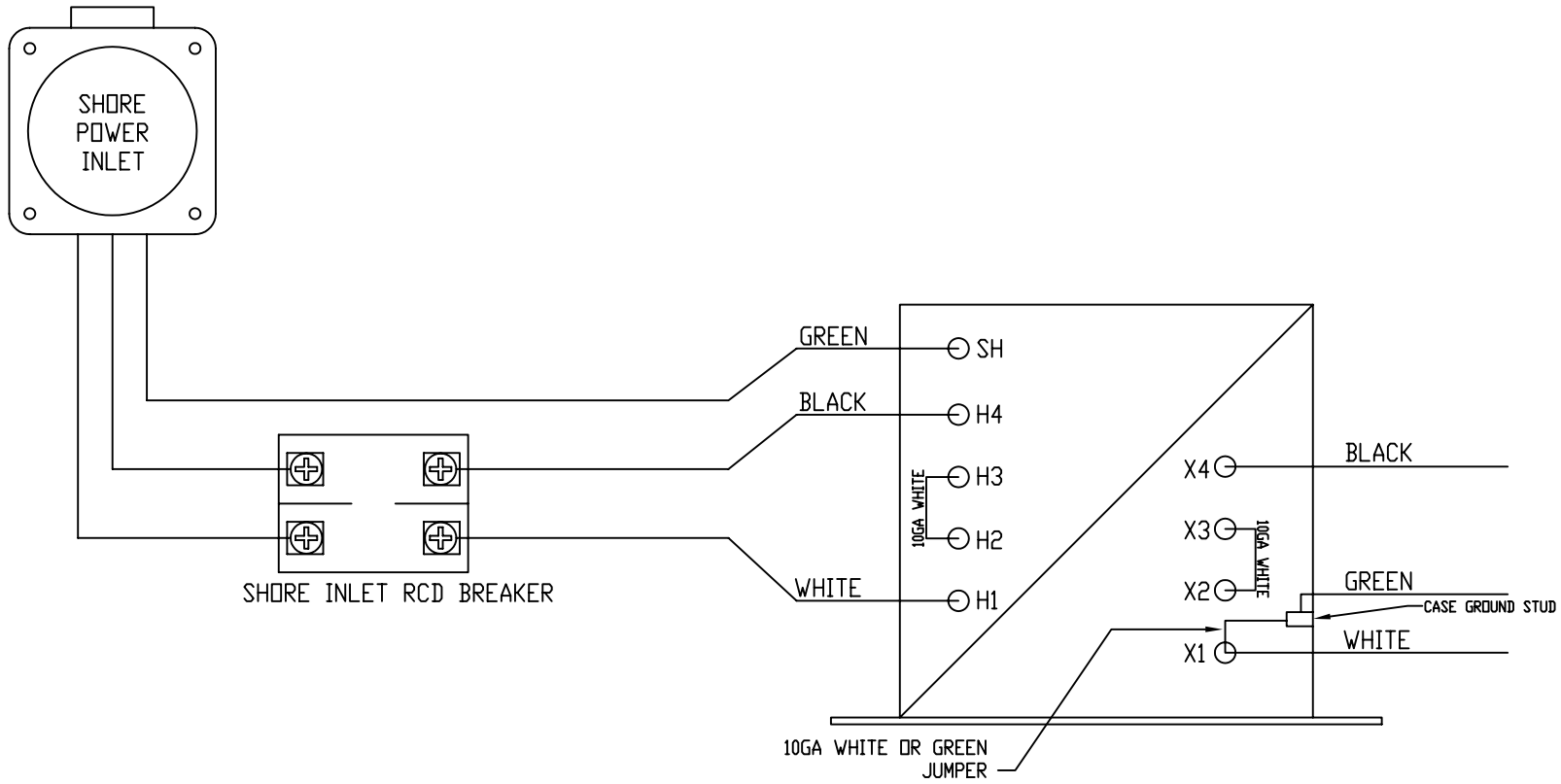


HUNTER 120V

DRAWING TITLE:

3.6 KVA ISO GUARD

DRAWN BY:	JLK	DATE:	17-June-03	SHEET	1	OF	1
SCALE:	0.045	HUNTER PART NO.	TBD	REVISION	-	DRAW #	drawing number



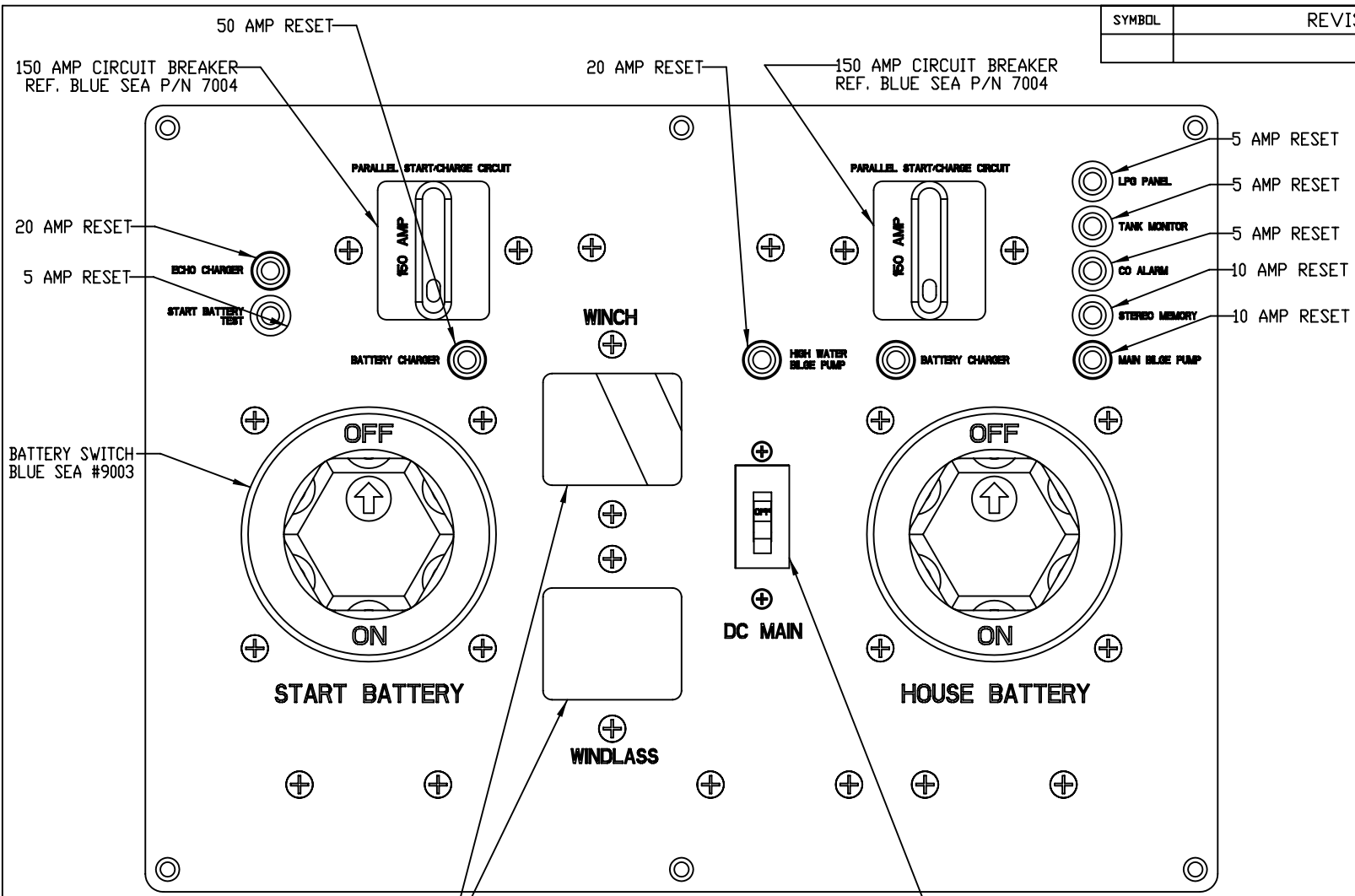
PROPRIETARY INFORMATION THIS DRAWING CONTAINS INFORMATION FOR WHICH HUNTER MARINE CORPORATION HAS PROPRIETARY RIGHTS.



HUNTER 240V

DRAWING TITLE: <i>3.8 KVA ISO GUARD</i>				
DRAWN BY: <i>JLK</i>	DATE: <i>17-June-03</i>	SHEET <i>1</i>	OF <i>1</i>	
SCALE: <i>0.045</i>	HUNTER PART NO. <i>TBD</i>	REVISION <i>-</i>	DRAW # <i>drawing number</i>	

SYMBOL	REVISIONS	DATE	ENG



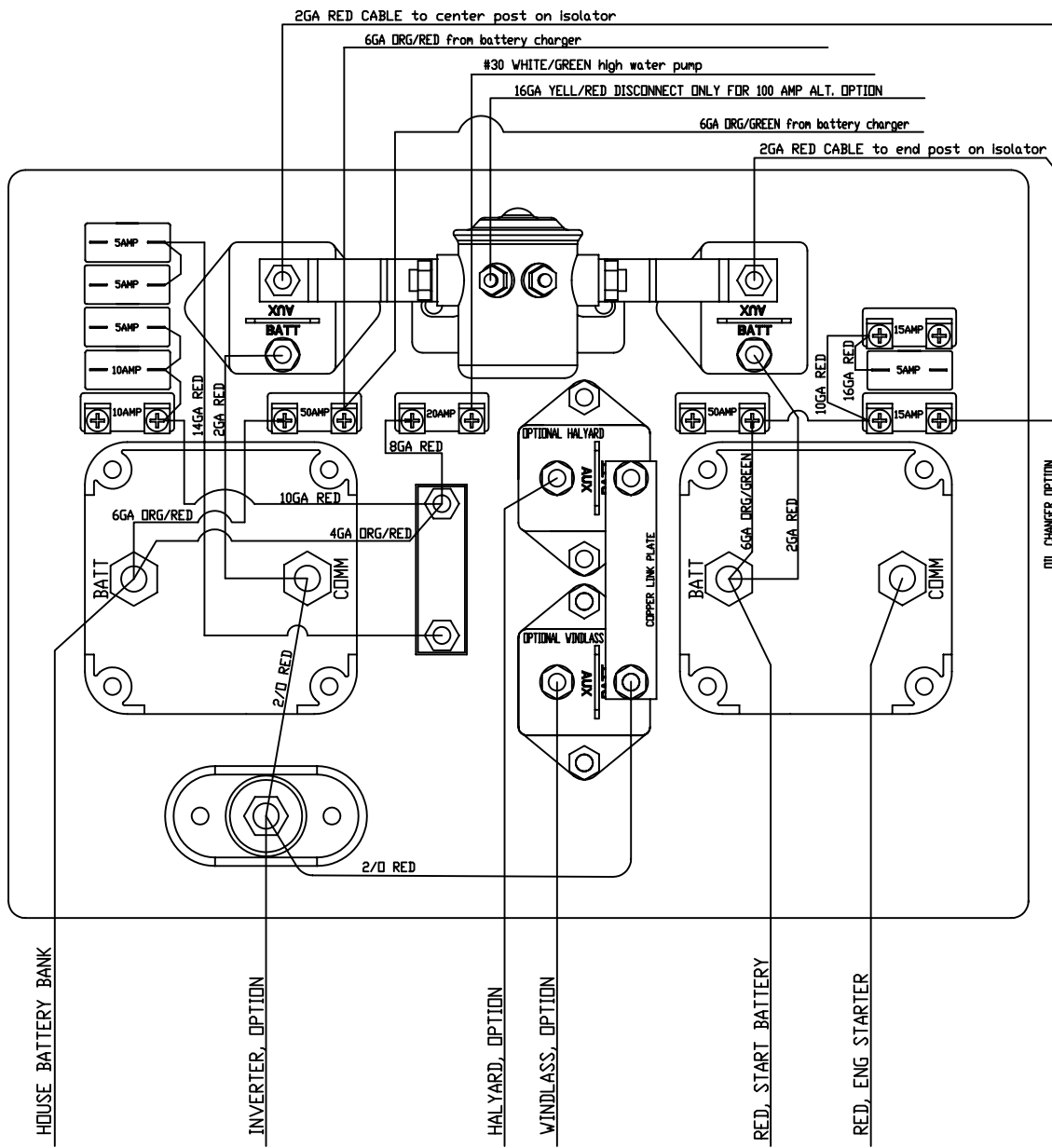
PROPRIETARY INFORMATION THIS DRAWING CONTAINS INFORMATION FOR WHICH HUNTER MARINE CORPORATION HAS PROPRIETARY RIGHTS.



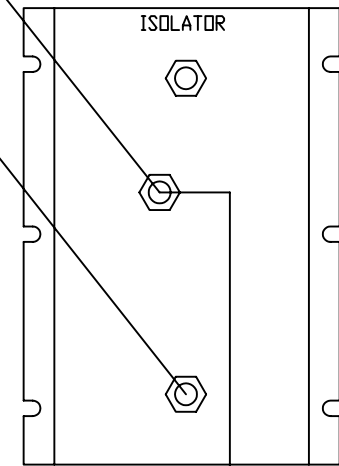
HUNTER 41

DRAWING TITLE: <i>PANEL, BATTERY SWITCH</i>			
DRAWN BY: <i>JLK</i>	DATE: <i>24-Mar-03</i>	SHEET <i>1</i>	OF <i>1</i>
SCALE: <i>0.045</i>	HUNTER PART NO. <i>TBD</i>	REVISION <i>-</i>	DRAW # <i>drawing number</i>

CHECKED



NOTE: ISOLATOR LOCATED UNDER NAV STATION STEP



2GA RED for 100 amp alt. option only

NOTE: Drawing shows all combinations for 120V boat.
 -For 100amp alternator option add isolator and cables. Also disconnect 16ga YELLOW/RED from solenoid, be sure to tape end of wire and secure.
 -For inverter option, do not install battery charger wires. Be sure to connect echo charger wire #23 to echo charger output on the side of the inverter.
 All other connections are standard, except for the electric halyard and windlass.

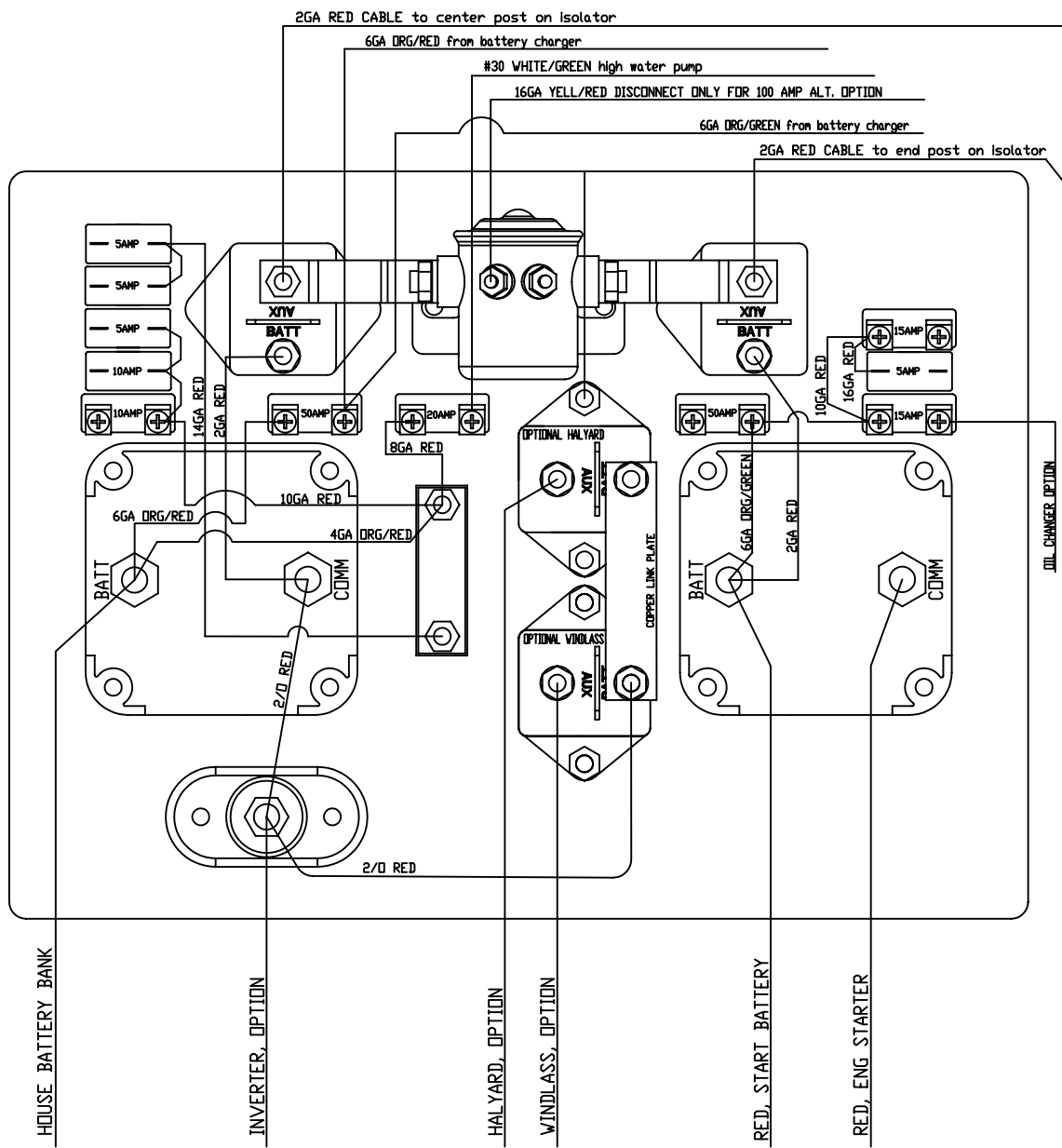
PROPRIETARY INFORMATION THIS DRAWING CONTAINS INFORMATION FOR WHICH HUNTER MARINE CORPORATION HAS PROPRIETARY RIGHTS



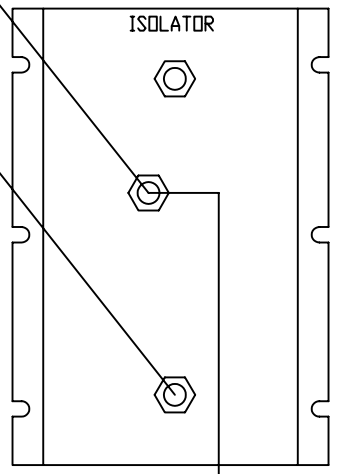
HUNTER 41

DRAWING TITLE: <i>PANEL, BATTERY SWITCH, BACKSIDE P2</i>				
DRAWN BY: <i>JLK</i>	DATE: <i>02-Mar-03</i>	SHEET <i>2</i>	OF <i>3</i>	
SCALE: <i>0.045</i>	HUNTER PART NO. <i>TBD</i>	REVISION <i>-</i>	DRAW # <i>drawing number</i>	

CHECKED



NOTE: ISOLATOR LOCATED UNDER NAV STATION STEP



2GA RED for 100 amp alt. option only

NOTE: Drawing shows all combinations for 230V boat.
 -For 100amp alternator option add isolator and cables. Also disconnect 16ga YELLOW/RED from solenoid, be sure to tape end of wire and secure.
 -For inverter option, do not install battery charger wires. Add isolator and cables.
 -Isolator connections are the same for both the inverter and 100amp alternator options, except for the alternator output cable.
 All other connections are standard, except for the electric halyard and windlass.

HOUSE BATTERY BANK

INVERTER, OPTION

HALYARD, OPTION


WINDLASS, OPTION

RED, START BATTERY

RED, ENG STARTER

CHECKED

PROPRIETARY INFORMATION THIS DRAWING CONTAINS INFORMATION FOR WHICH HUNTER MARINE CORPORATION HAS PROPRIETARY RIGHTS



HUNTER 41

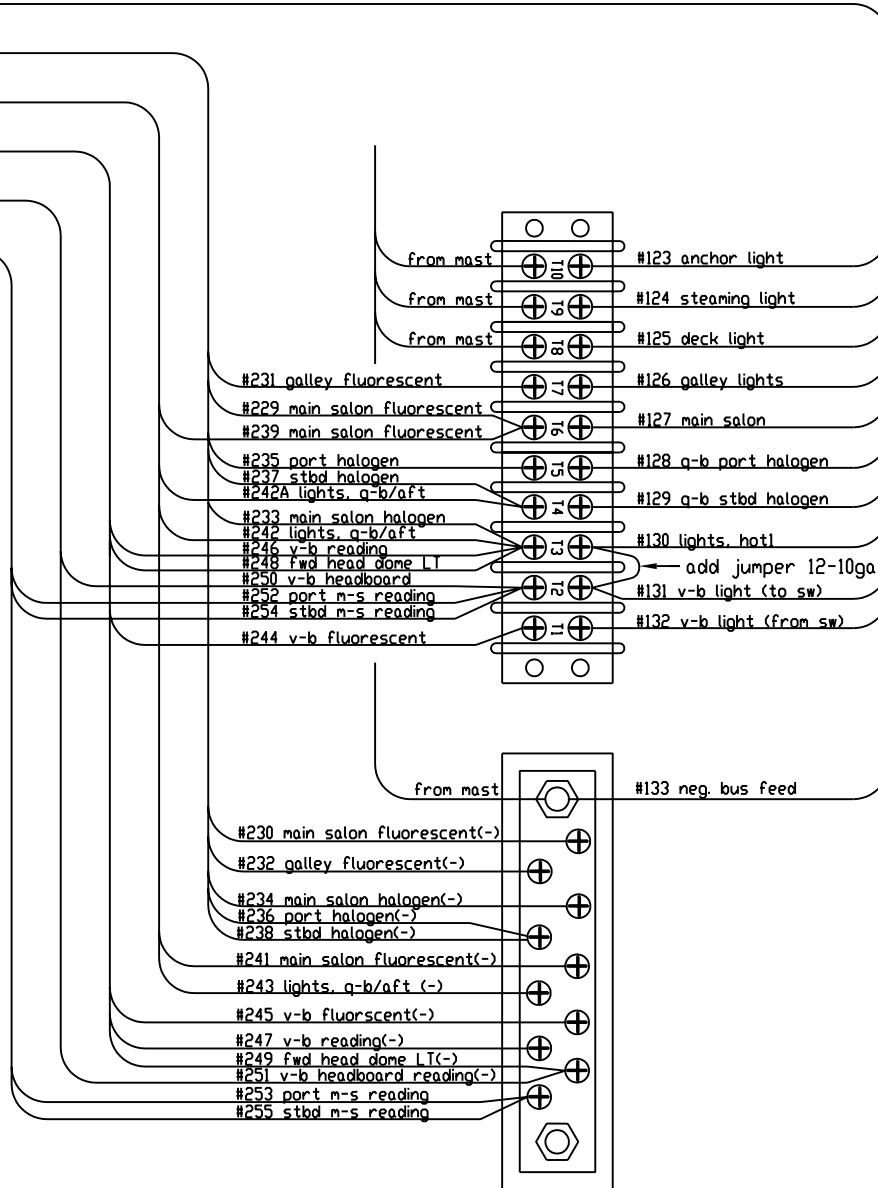
DRAWING TITLE:
 PANEL, BATTERY SWITCH, BACKSIDE P3

DRAWN BY: JLK	DATE: 02-Mar-03	SHEET 3	OF 3
SCALE: 0.045	HUNTER PART NO. TBD	REVISION -	DRAW # drawing number

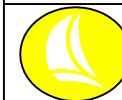
SYMBOL	REVISIONS	DATE	ENG
A	ADDED 242A TO T4	7/03/2003	JLK

HULL HARNESS PART 5

- DECK HARNESS PART 1
- DECK HARNESS PART 2
- DECK HARNESS PART 3
- DECK HARNESS PART 4A
- DECK HARNESS PART 4B



PROPRIETARY INFORMATION: THIS DRAWING CONTAINS INFORMATION FOR WHICH HUNTER MARINE CORPORATION HAS PROPRIETARY RIGHTS



HUNTER 396

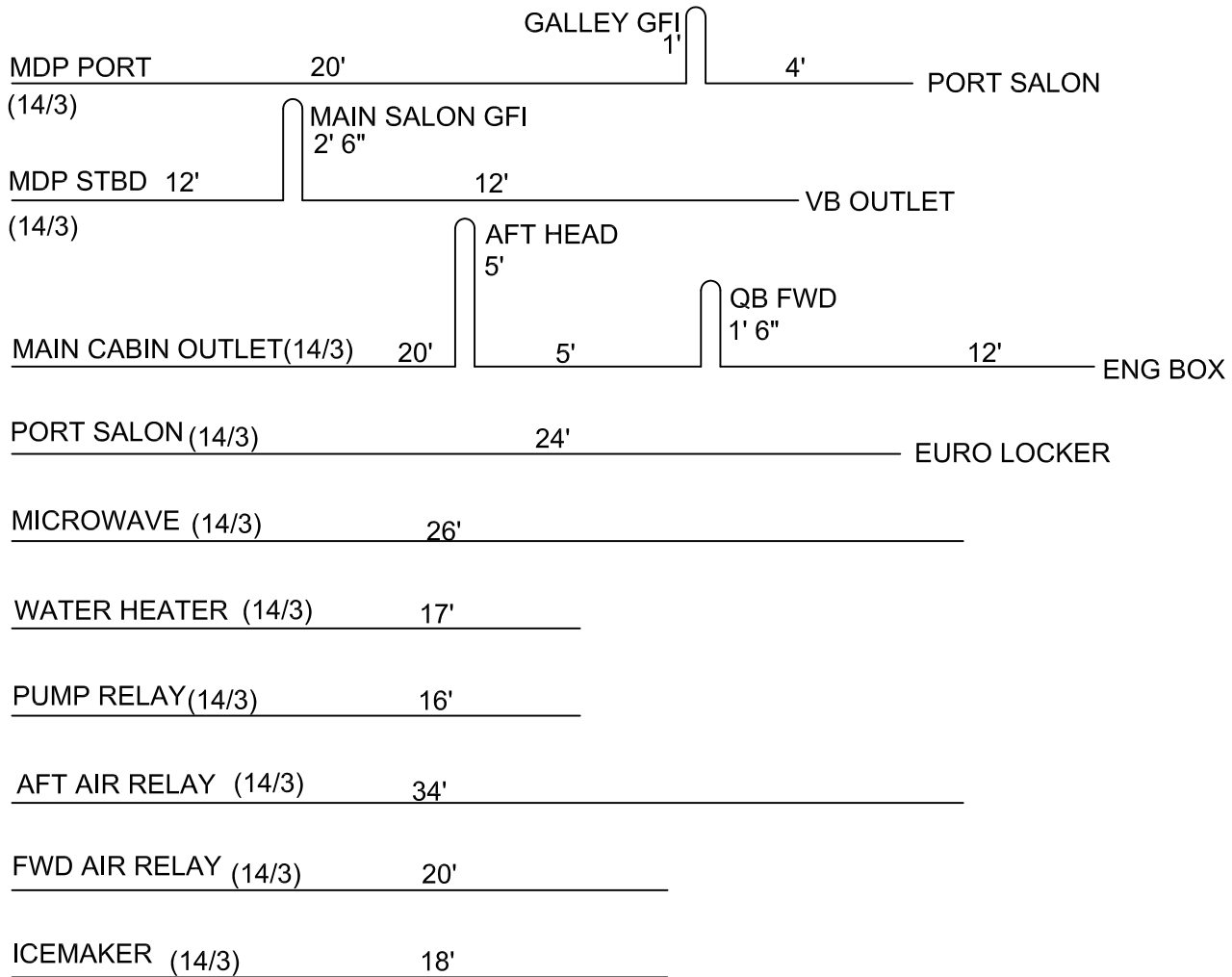
DRAWING TITLE: HULL TO DECK TERMINAL BLOCK SCHEMATIC			
DRAWN BY: JLK	DATE: 04-Mar-03	SHEET 1	OF 1
SCALE: 0.045	HUNTER PART NO. TBD	REVISION -	DRAW # drawing number

CHECKED

41 AC WIRES

REV. 10-18-04

MODULE STAGE 24



INV IN (10/3) 18'

INV OUT (10/3) 18'

SP1 (10/3) 15' TRANS1 IN

SP2 (10/3) 15' TRANS2 IN

MDP1 (10/3) 31' TRANS1 OUT

MDP2 (10/3) 31' TRANS2 OUT

FWD AIR COND (10/3) 30'

AFT AIR COND (10/3) 37'

STAGE 24A-MODULE, P/N 1007628

	WIRE SIZE	COLOR	LENGTH	EYE	EYE	DESCRIPTION
FWD HOUSE BATTERY	2/O	RED	3'	3/8"	3/8"	BATT TO FUSE-HOUSE1
	2/O	YELLOW	3' 6"	5/16"	3/8"	BATT TO GND-HOUSE1
AFT HOUSE BATTERY	2/O	RED	4'	3/8"	3/8"	BATT TO FUSE-HOUSE2
	3/O	RED	3'	3/8"	3/8"	FUSE TO STUD-HOUSE2
	2/O	YELLOW	4'	5/16"	3/8"	BATT TO GND-HOUSE2
START BATTERY	2 GA	RED	4' 6"	3/8"	3/8"	BATT TO SW-START
	2 GA	YELLOW	2'	5/16"	3/8"	BATT TO GND-START
YANMAR STARTER	2 GA	RED	12'	5/16"	3/8"	START TO STUD-YAN
	2 GA	YELLOW	11' 6"	3/8"	3/8"	ENGINE TO GND-YAN
WINDLASS	2 GA	RED	26'	1/4"	5/16"	BREAKER TO BOX-WL
	2 GA	YELLOW	28.5'	3/8"	5/16"	GND TO BOX-WL
GNDS	4 GA	GREEN/YELLOW	32'	1/4"	3/8"	ARCH GND
	4 GA	GREEN/YELLOW	10'	1/4"	3/4"	CHAINPLATE PORT 1
	4 GA	GREEN/YELLOW	10'	1/4"	3/4"	CHAINPLATE STBD 1
	4 GA	GREEN/YELLOW	4'	3/4"	3/4"	CHAINPLATE PORT 2
	4 GA	GREEN/YELLOW	4'	3/4"	3/4"	CHAINPLATE STBD 2
	10 GA	GREEN/YELLOW	30'			FUEL FILL GRD
	2 GA	YELLOW	5'	1/4"	3/8"	JUMPER GND TO GND
BOSE	10 GA	RED	8'			
	10 GA	YELLOW	8'			
PANEL JUMPERS	10-3	ROMEX	5'			BUS BAR JUMPERS

STAGE 56-ELECTRICAL, P/N 1007630

	WIRE SIZE	COLOR	LENGTH	EYE	EYE	DESCRIPTION
FIRE EXTINGUISHER	16 GA	WHITE/BROWN	4'			SHUTDOWN BYPASS
	16 GA	YELLOW	2'			SHUTDOWN NEGATIVE
	16 GA	RED	2'			SHUTDOWN POWER
STERN LIGHT	16 GA	GREY/YELLOW	2'			STERN LIGHT POWER
	16 GA	YELLOW	2'			STERN LIGHT NEGATIVE
BAR LIGHT	16 GA	BLUE	5'			Q-B BAR LIGHT
	16 GA	YELLOW	5'			Q-B BAR LIGHT NEG.
BUSS BLOCKS	6 GA	YELLOW	8 INCHES	1/4"	1/4"	JUMPER GROUND
LIGHT JUMPER	10 GA	RED	6 INCHES			TERMINAL STRIP LT JUMPER
GNDS	4 GA	GREEN/YELLOW	4' 2"	1/4"	3/8"	MAST POST TO KEEL
	6 GA	GREEN/YELLOW	10'	3/8"	1/2"	PEDESTAL GND
MAIN TV	RG-6	WHITE	12'	TYPE-F	TYPE-F	MAIN TV

OPTIONS						
MODULE STAGE 24 A						
	WIRE SIZE	COLOR	LENGTH	EYE	EYE	DESCRIPTION
GENERATOR STARTER	2 GA	RED	13'	5/16"	5/16"	START TO STUD-GEN
	2 GA	YELLOW	13'	5/16"	5/16"	ENGINE TO GND-GEN
	6-3	ROMEX	35'			GENERATOR POWER
INVERTER (120V)	2/O	RED	9'	3/8"	3/8"	INV TO STUD
	2/O	YELLOW	8'	3/8"	3/8"	INV TO GND
	1/O	GREEN/YELLOW	8'	3/8"	1/4"	INV CASE TO GND
INVERTER (230V)	2 GA	RED	3'	1/4"	5/16"	ISOLATOR TO SOLENOID
	2 GA	RED	3'	1/4"	5/16"	ISOLATOR TO SOLENOID
	1/O	GREEN/YELLOW	8'	3/8"	1/4"	INV CASE TO GND
HALYARD	2 GA	RED	21' 6"	1/4"	5/16"	BREAKER TO BOX-HAL
	2 GA	YELLOW	20' 6"	3/8"	5/16"	GND TO BOX-HAL
	2 GA	RED	3'	5/16"	5/16"	BOX TO MOTOR-HAL
	2 GA	YELLOW	3'	5/16"	5/16"	BOX TO MOTOR-HAL
100AMP ALTERNATOR	2 GA	RED	14'	5/16"	5/16"	ALT TO ISOLATOR
	2 GA	YELLOW	18"	5/16"	5/16"	ALT. GND TO ENG. GND
	2 GA	RED	3'	1/4"	5/16"	ISO TO START RESET
	2 GA	RED	3'	1/4"	5/16"	ISO TO HOUSE RESET
	16 GA	WHITE/RED	5'			TACH
	16 GA	BLUE	5'			DASH LAMP
BATTERY CHARGER	8 GA	ORANGE/GREEN	3' 6"			START BATT RESET
	8 GA	ORANGE/RED	3' 6"			HOUSE BATT RESET
	8 GA	YELLOW	2' 6"			TO NEG. BUS BAR
	14-3	ROMEX	8'			BATT CHARGER
12V WATERMAKER	8 GA	YELLOW	7'			WATERMAKER NEG.
BOW THRUSTER	2/O	RED	22'	3/8"	5/16"	SWITCH TO THRUSTER
	2/O	RED	3'	3/8"	5/16"	SWITCH TO FUSE
	2/O	RED	8"	3/8"	5/16"	FUSE TO FUSE
	2/O	YELLOW	24'	5/16"	3/8"	MOTOR TO BUSS
TRI-CABIN OPTION	16 GA	BLUE/WHITE	3' 6"			FLOOR COURTESY LIGHT
	16 GA	YELLOW	3' 6"			FLOOR COURTESY LIGHT (-)
	16 GA	RED/BLUE	25'			CO ALARM
	16 GA	YELLOW	25'			CO ALARM (-)
	16 GA	BLUE	25'			CABIN LIGHTS
	16 GA	YELLOW	25'			CABIN LIGHTS (-)
ELECTRIC TOILET	16 GA	YELLOW/BROWN	8'			ELEC. TOILET SOLENOID
	16 GA	YELLOW	8'			ELEC. TOILET SOLENOID(-)

OPTIONS						
DECK RIGGING STAGE 34						
SONY STEREO	16 GA	WHITE/BLUE	6'			SPEAKER POSITIVE
	16 GA	WHITE/BLACK	6'			SPEAKER NEGATIVE
	16 GA	WHITE/ORANGE	20'			SPEAKER POSITIVE
	16 GA	WHITE/YELLOW	20'			SPEAKER NEGATIVE
ELECTRICAL STAGE 56						
AUTO PILOT	8 GA	RED	6'			COURSE COMPUTER
	8GA	YELLOW	6'			COURSE COMPUTER (-)
RADAR	10 GA	RED/YELLOW	6'			RADAR PWR
	10 GA	YELLOW	6'			RADAR NEG
WINDLASS	2 GA	RED	3'	5/16"	5/16"	BOX TO MOTOR-WL
	2 GA	RED	3'	5/16"	5/16"	BOX TO MOTOR-WL
	16 GA	YELLOW	3'	5/16"	F-spade	BOX TO MOTOR-WL

41 HULL HARNESS WIRE LIST

Updated 01/31/05

WIRE#	GAUGE	COLOR	FEET	DESCRIPTION	POINT TO POINT	INCHES
1	16ga	Orange/Yellow	10.583	WATER SENSOR STBD (+)		127
2	16ga	Yellow	7.5	WATER SENSOR STBD (-)		90
3	16ga	Pink/Violet	10.583	WATER SENSOR STBD (S)		127
4	16ga	Orange/Black	16.75	WATER SENSOR PORT (+)		201
5	16ga	Yellow	13.667	WATER SENSOR PORT (-)		164
6	16ga	Pink/Yellow	16.75	WATER SENSOR PORT (S)		201
7	16ga	Orange/Green	14.167	WASTE SENSOR (+)		170
8	16ga	Yellow	11.083	WASTE SENSOR (-)		133
9	16ga	Pink/Gray	14.167	WASTE SENSOR (S)		170
10	16ga	Blue/White	15.917	COURTESY LIGHT, FWD (+)		191
11	16ga	Yellow	13.5	COURTESY LIGHT, FWD (-)		162
12	12ga	Red/Yellow	30.333	STEREO/DVD, V-B (+)		364
13	12ga	Yellow	27.917	STEREO/DVD, V-B (-)		335
14	14ga	Yellow/Org	30.333	STEREO/DVD, V-B (MEM)		364
15	14ga	Red/Green	30.333	TV, V-B (+)		364
16	14ga	Yellow	27.917	TV, V-B (-)		335
17	RG-6	White	30.333	TV COAX, V-B		364
18	14ga	Orange/Red	8.5	LPG PWR (+)		102
19	16ga	Red/Org	9.1667	TANK MONITOR (+)		110
20	16ga	Yellow	6.25	TANK MONITOR (-)		75
21	16ga	Red/Blue	8.5	CO ALARM (+)		102
22	12ga	Yellow/Org	8.5	STEREO MEMORY (+)		102
23	10ga	Red	9.25	ECHO CHARGER (+)		111
24	16ga	Yellow/Red	8.5	PARALLEL SOLENOID (+)		102
25	16ga	Yellow	6.0833	PARALLEL SOLENOID (-)		73
26	12ga	Brown/Org	7.75	MAIN BILGE PUMP (AUTO)		93
27	12ga	Brown/Red	8.5833	MAIN BILGE PUMP (MANUAL), TO SW		103
28	16ga	Red/White	7.8333	START BATTERY TEST (+)		94
29						
30	8ga	Brown/Tan	12.583	HIGH WATER PUMP (+)		151
31	8ga	Yellow	14.333	HIGH WATER PUMP (-)		172
32	16ga	Brown/Red	16.917	HIGH WATER ALARM INDICATOR (+)		203
33	16ga	Yellow/Brown	16.917	HIGH WATER PUMP RELAY (FROM SW)		203
34	12ga	Yellow	10.5	MAIN BILGE PUMP (-)		126
35						
36	12ga	Brown/Red	12.917	MAIN BILGE PUMP (MANUAL), FROM SW		155
37	10ga	Red/White	17.417	FREEZER (+)		209
38	10ga	Yellow	15	FREEZER (-)		180
39	8ga	Red/Brown	21.667	WATER MAKER		260
40	16ga	Blue/White	13.583	COURTESY LIGHT SW (TO SW)		163

41 HULL HARNESS WIRE LIST

Updated 01/31/05

WIRE#	GAUGE	COLOR	FEET	DESCRIPTION	POINT TO POINT	INCHES
41	16ga	Blue/White	13.583	COURTESY LIGHT SW (FROM SW)		163
42	10ga	Blue	13.25	GALLEY/MAIN SW FEED (+)		159
43	14ga	Blue	0.3333	GALLEY LIGHT SW (TO SW)		4
44	14ga	Blue	0.3333	MAIN SALON LIGHT SW (TO SW)		4
45	14ga	Blue	13.583	GALLEY LIGHT SW (FROM SW)		163
46	14ga	Blue	13.583	MAIN SALON LIGHT SW (FROM SW)		163
47	14ga	Orange/Red	13.583	LPG PWR (TO SW)		163
48	14ga	Orange/Grn	34.667	LPG SOLENOID (FROM SW)		416
49	16ga	Yellow	10.167	LPG INDICATOR (-)		122
50	14ga	Yellow	27.5	LPG SOLENOID (-)		330
51	12ga	Brown	15.583	WATER PUMP (+)		187
52	12ga	Yellow	3.5	WATER PUMP (-)		42
53	16ga	Blue/White	16.583	COURTESY LIGHT, GALLEY (+)		199
54	16ga	Yellow	4.5	COURTESY LIGHT, GALLEY (-)		54
55	14ga	Red	19	12v OUTLET, GALLEY (+)		228
56	14ga	Yellow	6.9167	12v OUTLET, GALLEY (-)		83
57	16ga	Blue/White	19.583	DISH RACK LIGHT (TO SW)		235
58	16ga	Blue/White	11.75	DISH RACK LIGHT (FROM SW)		141
59	16ga	Yellow	8.25	DISH RACK LIGHT (-)		99
60	16ga	White	1.5	DISH RACK FAN JUMPER		18
61	16ga	White	11.333	DISH RACK FAN (+)		136
62	16ga	Yellow	7.3333	DISH RACK FAN (-)		88
63	10ga	Red/Black	21.083	REFRIGERATOR (+)		253
64	10ga	Yellow	9	REFRIGERATOR (-)		108
65	12ga	Brown/Blue	21.75	BLOWER (+)		261
65A	16ga	Brown/Blue	21.75	BLOWER RELAY		261
65B						
66	12ga	Yellow	9.6667	BLOWER (-)		116
67	14ga	Red/Green	26.583	TV, Q-B (+)		319
68	14ga	Yellow	14.5	TV, Q-B (-)		174
69	RG-6	White	26.583	TV COAX, Q-B		319
70	8ga	Yellow	12.917	NEG. BUS TO PORT		155
71	16ga	Blue/White	11.583	COURTESY LIGHT, AFT (+)		139
72	16ga	Yellow	9.5833	COURTESY LIGHT, AFT (-)		115
73	16ga	Blue/White	18.25	ENGINE BOX LIGHT (+)		219
74	16ga	Yellow	16.25	ENGINE BOX LIGHT (-)		195
75	14ga	Blue	18.25	LIGHT SW, Q-B (TO SW)		219
76	14ga	Blue	18.25	LIGHT SW, Q-B PORT (FROM SW)		219
77	14ga	Blue	18.25	LIGHT SW, Q-B STBD (FROM SW)		219
78	14ga	Red/Yellow	16.417	STEREO/DVD, Q-B (+)		197

41 HULL HARNESS WIRE LIST

Updated 01/31/05

WIRE#	GAUGE	COLOR	FEET	DESCRIPTION	POINT TO POINT	INCHES
79	14ga	Yellow	14.417	STEREO/DVD, Q-B (-)		173
80	14ga	Yellow/Org	16.417	STEREO/DVD, Q-B (MEM)		197
82A	16ga	Yellow	18.5	FUEL TANK SENSOR (-)		222
83A	16ga	Pink	18.5	FUEL TANK SENSOR (S)		222
84	14ga	Red	14.417	12v OUTLET, AFT VANITY (+)		173
85	14ga	Yellow	12.417	12v OUTLET, AFT VANITY (-)		149
86	10ga	Brown/Pink	14.417	ELECTRIC TOILET, AFT (+)		173
87	10ga	Yellow	12.417	ELECTRIC TOILET, AFT (-)		149
88	12ga	Brown/Yellow	16.417	SUMP PUMP, AFT (TO SW)		197
89	12ga	Brown/Yellow	9.8333	SUMP PUMP, AFT (FROM SW)		118
90	12ga	Yellow	9.9167	SUMP PUMP, AFT (-)		119
91	16ga	Black/Yellow	18.75	HALON GND LOOP		225
92	16ga	Black/Yellow	16.75	HALON GND LOOP		201
93	16ga	White/Green	15.917	AFT CABIN LEFT SPEAKER (+)		191
93A	16ga	White/Yellow	15.917	AFT CABIN LEFT SPEAKER (-)		191
94	16ga	White/Violet	17.917	AFT CABIN RIGHT SPEAKER (+)		215
94A	16ga	White/Black	17.917	AFT CABIN RIGHT SPEAKER (-)		215
95			0			0
96	16ga	Blue/White	4.5	CHART LIGHT, (+)		54
97	16ga	Yellow	5.8333	CHART LIGHT, (-)		70
98	16ga	Red/Blue	4.6667	CO ALARM, M-S (+)		56
99	16ga	Yellow	6	CO ALARM, M-S (-)		72
100	8ga	Yellow	11.25	NEG. BUS, TO STBD FWD		135
101	10ga	Red/Yellow	11.333	STEREO/DVD MAIN SALON (+)		136
102	10ga	Yellow	4.75	STEREO/DVD MAIN SALON (-)		57
103	14ga	Yellow/Org	11.333	STEREO/DVD MAIN SALON (MEM)		136
104	14ga	Red/Green	11.333	TV, MAIN SALON (+)		136
105	14ga	Yellow	4.75	TV, MAIN SALON (-)		57
106	RG-6	White	11.333	TV COAX, MAIN SALON		136
107	16ga	Red/Blue	12.167	CO ALARM, V-B (+)		146
108	16ga	Yellow	5.5833	CO ALARM, V-B (-)		67
109	10ga	Brown/White	11.667	MACERATOR (+)		140
110	10ga	Yellow	5.0833	MACERATOR (-)		61
111	14ga	Red	12.583	12v OUTLET, FWD VANITY (+)		151
112	14ga	Yellow	6	12v OUTLET, FWD VANITY (-)		72
113	12ga	Brown/Yellow	17.167	SUMP PUMP, FWD (TO SW)		206
114	12ga	Brown/Yellow	12.583	SUMP PUMP, FWD (FROM SW)		151
115	12ga	Yellow	21.5	SUMP PUMP, FWD (-)		258
116	10ga	Brown/Pink	17.167	ELECTRIC TOILET, FWD (+)		206
117	10ga	Yellow	10.583	ELECTRIC TOILET, FWD (-)		127

41 HULL HARNESS WIRE LIST

Updated 01/31/05

WIRE#	GAUGE	COLOR	FEET	DESCRIPTION	POINT TO POINT	INCHES
118	16ga	Yellow/Brown	9.5833	ELEC. TOILET SOLENOID (+)		115
119	16ga	Yellow	9.5833	ELEC. TOILET SOLENOID (-)		115
120	14ga	Gray/White	23.583	BOW LIGHT, (+)		283
121	14ga	Yellow	17	BOW LIGHT, (-)		204
122	16ga	Tan	23.583	WINDLASS SWITCHES (+)		283
123	14ga	Gray/Red	16.833	ANCHOR LIGHT		202
124	14ga	Gray/Green	16.833	STEAMING LIGHT		202
125	14ga	Gray	16.833	DECK LIGHT		202
126	14ga	Blue	16.833	LIGHTS, GALLEY (1)		202
127	14ga	Blue	16.833	LIGHTS, MAIN SALON (2)		202
128	14ga	Blue	16.833	LIGHTS, Q-B, PORT (3)		202
129	14ga	Blue	16.833	LIGHTS, Q-B, STBD (4)		202
130	12ga	Blue	16.833	LIGHTS, HOT1 (5)		202
131	14ga	Blue	4	LIGHT SW, V-B (TO SW)		48
132	14ga	Blue	4	LIGHT SW, V-B (FROM SW)		48
133	8ga	Yellow	19	NEG. BUS, TO DECK		228

41 DECK HARNESS WIRE LIST

Date: 06/29/05

WIRE#	GAUGE	COLOR	FEET	DESCRIPTION	POINT TO POINT	INCHES
201	16ga	Red/Blue	14.5	CO ALARM (+)		174
202	16ga	Yellow	17	CO ALARM (-)		204
203	14ga	Blue	57.0833	LIGHTS, STBD AFT (+)		685
204	14ga	Yellow	59.5833	LIGHTS, STBD AFT (-)		715
205	16ga	Yellow/Red	18.5	SOLENOID (+)		222
206	16ga	Yellow/Brown	18.5	HIGH WATER RELAY (FROM SW)		222
207	16ga	Brown/Red	18.5	HIGH WATER ALARM INDICATOR		222
208	16ga	Yellow	21	HIGH WATER ALARM NEG.		252
209	16ga	Black/Yellow	19.5	HALON		234
209A	16ga	Brown/Blue	19.5	BLOWER RELAY		234
210	14ga	Gray/Yellow	38.6667	STERN/COMPASS LIGHT (+)		464
211	14ga	Yellow	41.1667	STERN/COMPASS LIGHT (-)		494
212	14ga	Red/Yellow	31	STEREO, COCKPIT (+)		372
213	14ga	Yellow	33.5	STEREO, COCKPIT (-)		402
214	14ga	Yellow/Orange	31	STEREO, COCKPIT MEMORY		372
215	12ga	Red/Black	34.6667	GPS/CHARTPLOTTER (+)		416
216	12ga	Yellow	37.1667	GPS/CHARTPLOTTER (-)		446
217	RG6QS	White	17.5	TV COAX FEED		210
218	14ga	4 conductor	20.25	PHONE CABLE		243
219	8ga	Red	30.8333	AUTO PILOT DRIVE (+)		370
220	8ga	Yellow	30.8333	AUTO PILOT DRIVE (-)		370
221	14ga	Red	30.8333	AUTO PILOT CLUTCH (+)		370
222	14ga	Yellow	30.8333	AUTO PILOT CLUTCH (-)		370
223	16ga	Blue/White	17.8333	LIGHT, ARCH		214
224	16ga	Yellow	20.3333	LIGHT, ARCH (-)		244
225	16ga	White/Pink	18	SPEAKER, TO ARCH, LEFT (+)		216
226	16ga	White/Yellow	18	SPEAKER, TO ARCH, LEFT (-)		216
227	16ga	White/Gray	18	SPEAKER, TO ARCH, RIGHT (+)		216
228	16ga	White/Black	18	SPEAKER, TO ARCH, RIGHT (-)		216

41 DECK HARNESS WIRE LIST

Date: 06/29/05

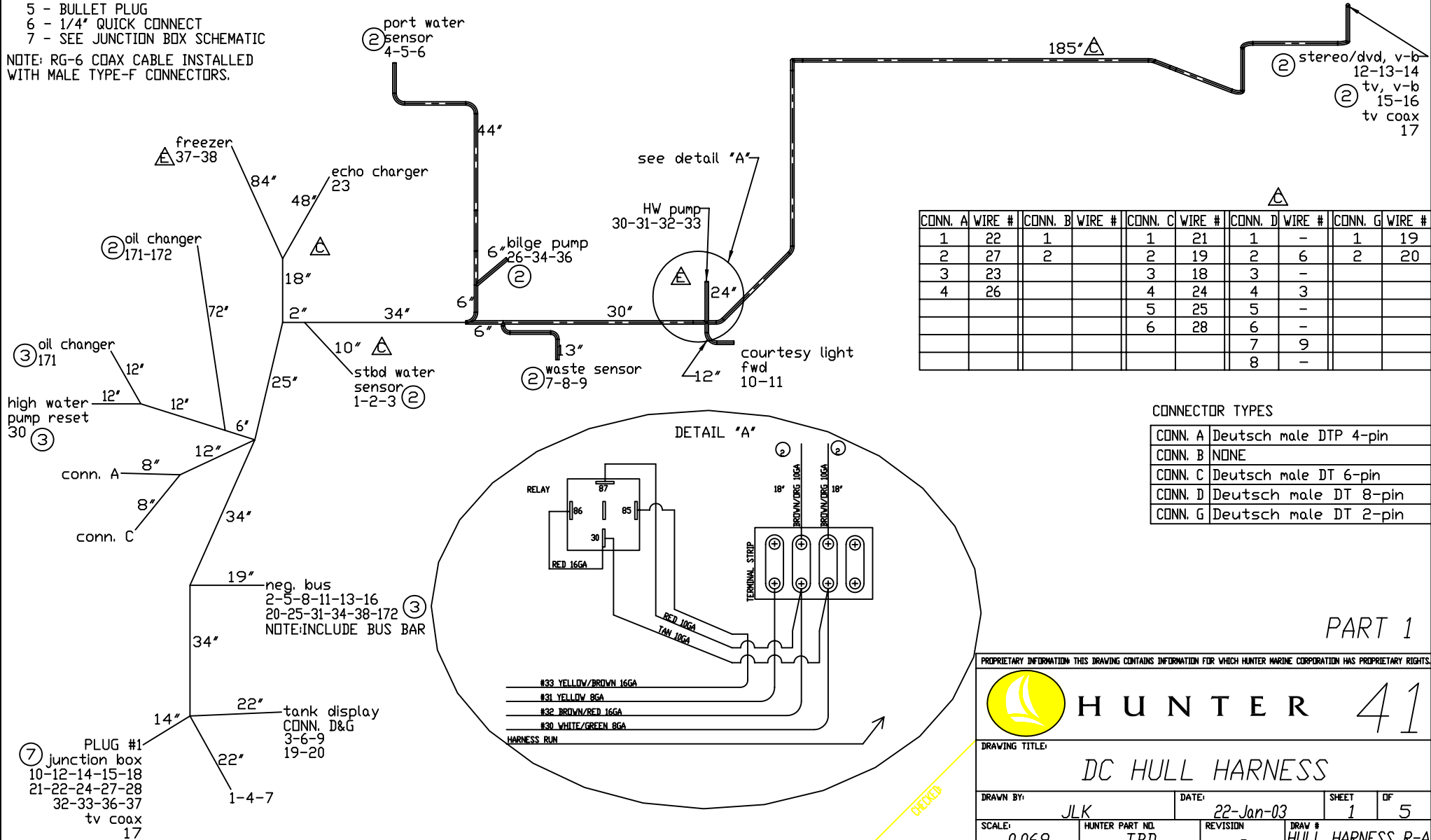
WIRE#	GAUGE	COLOR	FEET	DESCRIPTION	POINT TO POINT	INCHES
229	14ga	Blue	12.5833	LIGHTS, MAIN SALON FLUORESCENT		151
230	14ga	Yellow	13.0833	LIGHTS, MAIN SALON FLUORESCENT (-)		157
231	14ga	Blue	16.0833	LIGHTS, GALLEY FLUORESCENT		193
232	14ga	Yellow	16.5833	LIGHTS, GALLEY FLUORESCENT (-)		199
233	14ga	Blue	15.1667	LIGHTS, MAIN SALON HALOGEN		182
234	14ga	Yellow	15.6667	LIGHTS, MAIN SALON HALOGEN (-)		188
235	14ga	Blue	25.75	LIGHTS, PORT HALOGEN		309
236	14ga	Yellow	26.25	LIGHTS, PORT HALOGEN (-)		315
237	14ga	Blue	22	LIGHTS, STBD HALOGEN		264
238	14ga	Yellow	22.5	LIGHTS, STBD HALOGEN (-)		270
239	14ga	Blue	11.3333	LIGHTS, MAIN SALON FLUORESCENT		136
241	14ga	Yellow	11.8333	LIGHTS, MAIN SALON FLUORESCENT (-)		142
242	14ga	Blue	28.8333	LIGHTS, Q-B/AFT		346
242A	14ga	Blue	17.1667	LIGHTS, Q-B		206
243	14ga	Yellow	29.3333	LIGHTS, Q-B/AFT (-)		352
244	14ga	Blue	8.5	LIGHTS, V-B FLUORESCENT		102
245	14ga	Yellow	9	LIGHTS, V-B FLUORESCENT (-)		108
246	14ga	Blue	10	LIGHT, V-B READING		120
247	14ga	Yellow	10.5	LIGHT, V-B READING (-)		126
248	14ga	Blue	19.5	LIGHT, FWD HEAD DOME		234
249	14ga	Yellow	20	LIGHT, FWD HEAD DOME (-)		240
250	14ga	Blue	5.16667	LIGHTS, V-B HEADBOARD READING		62
251	14ga	Yellow	5.16667	LIGHTS, V-B HEADBOARD READING (-)		62
252	14ga	Blue	8	LIGHT, PORT MAIN SALON READING		96
253	14ga	Yellow	8.5	LIGHT, PORT MAIN SALON READING (-)		102
254	14ga	Blue	8.16667	LIGHT, STBD MAIN SALON READING		98
255	14ga	Yellow	8.66667	LIGHT, STBD MAIN SALON READING (-)		104
256	16ga	Red	6	SEAFIRE SHUTDOWN CONTROL BOX		72
257	16ga	Yellow	22	SEAFIRE SHUTDOWN CONTROL BOX (-)		264

HARNESS LOCATION - CENTERLINE

- LEGEND -
 1 - SEE CONNECTOR LIST
 2 - BARREL (BUTT SPLICE)
 3 - #10 RING TERMINAL
 4 - 1/4" RING TERMINAL
 5 - BULLET PLUG
 6 - 1/4" QUICK CONNECT
 7 - SEE JUNCTION BOX SCHEMATIC

NOTE: RG-6 COAX CABLE INSTALLED WITH MALE TYPE-F CONNECTORS.

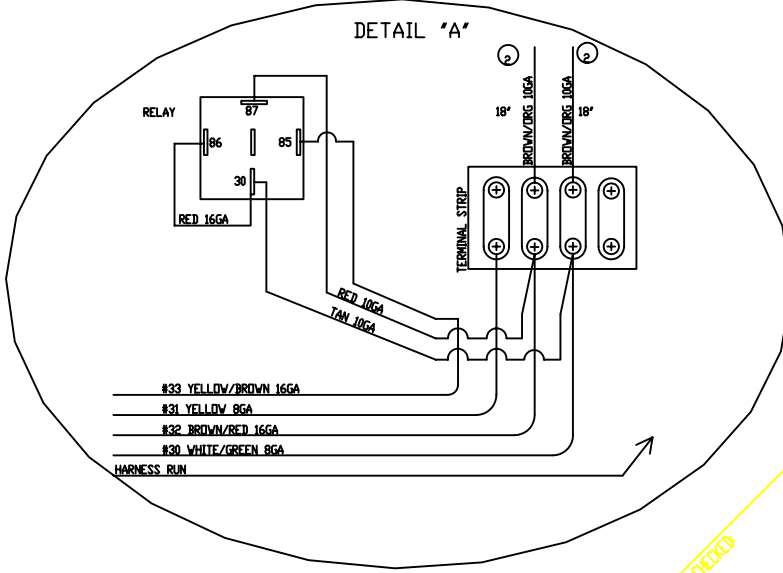
SYMBOL	REVISIONS	DATE	ENG
H	ADDED OIL CHANGER.	6/30/2005	JLK



CONN. A	WIRE #	CONN. B	WIRE #	CONN. C	WIRE #	CONN. D	WIRE #	CONN. G	WIRE #
1	22	1		1	21	1	-	1	19
2	27	2		2	19	2	6	2	20
3	23			3	18	3	-		
4	26			4	24	4	3		
				5	25	5	-		
				6	28	6	-		
						7	9		
						8	-		


CONNECTOR TYPES

CONN. A	Deutsch male DTP 4-pin
CONN. B	NONE
CONN. C	Deutsch male DT 6-pin
CONN. D	Deutsch male DT 8-pin
CONN. G	Deutsch male DT 2-pin



PART 1

PROPRIETARY INFORMATION THIS DRAWING CONTAINS INFORMATION FOR WHICH HUNTER MARINE CORPORATION HAS PROPRIETARY RIGHTS.



HUNTER 41

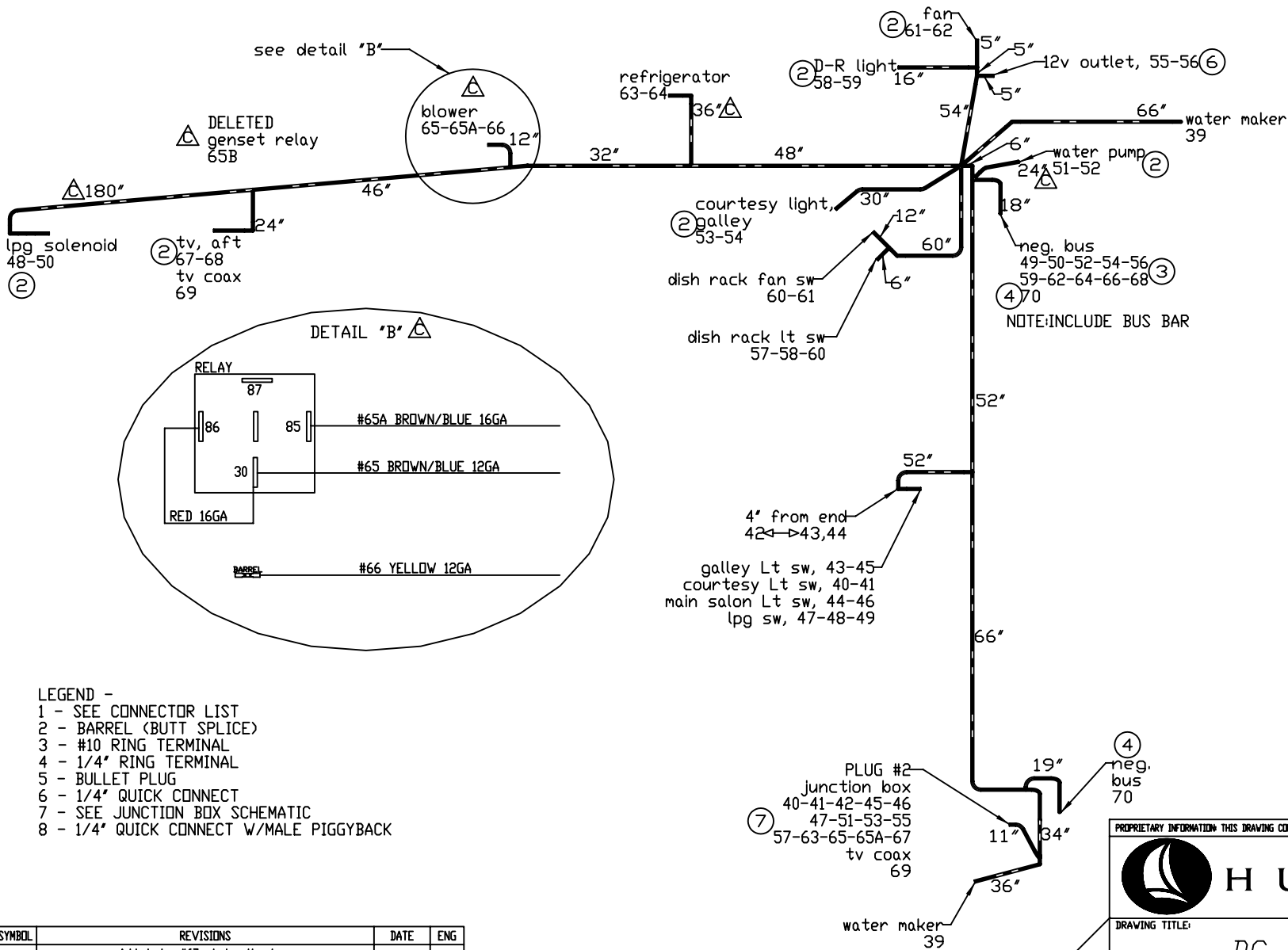
DRAWING TITLE: DC HULL HARNESS

DRAWN BY: JLK DATE: 22-Jan-03 SHEET 1 OF 5

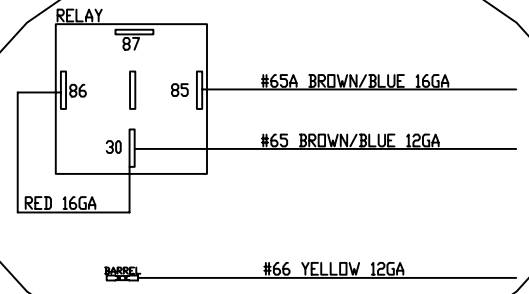
SCALE: 0.069 HUNTER PART NO: TBD REVISION: - DRAW #: HULL_HARNESS_R-A

CHECKED

HARNESS LOCATION - PORT



DETAIL 'B'




- LEGEND -
- 1 - SEE CONNECTOR LIST
 - 2 - BARREL (BUTT SPLICE)
 - 3 - #10 RING TERMINAL
 - 4 - 1/4" RING TERMINAL
 - 5 - BULLET PLUG
 - 6 - 1/4" QUICK CONNECT
 - 7 - SEE JUNCTION BOX SCHEMATIC
 - 8 - 1/4" QUICK CONNECT W/MALE PIGGYBACK

PART 2

SYMBOL	REVISIONS	DATE	ENG
A	Added wire #67 at junction box. Corrected courtesy light wire #40-41 to #53-54. Added lpg sw 47-48-49.	2/06/2003	JLK
B	Complete Update.	3/31/2003	JLK
C	SEE TRIANGLE SYMBOL 'C'	5/22/2003	JLK
D	Update Part 1 and Part 3.	6/02/2003	JLK

PROPRIETARY INFORMATION THIS DRAWING CONTAINS INFORMATION FOR WHICH HUNTER MARINE CORPORATION HAS PROPRIETARY RIGHTS



HUNTER 41

DRAWING TITLE: DC HULL HARNESS

DRAWN BY: JLK DATE: 22-Jan-03 SHEET 2 OF 5

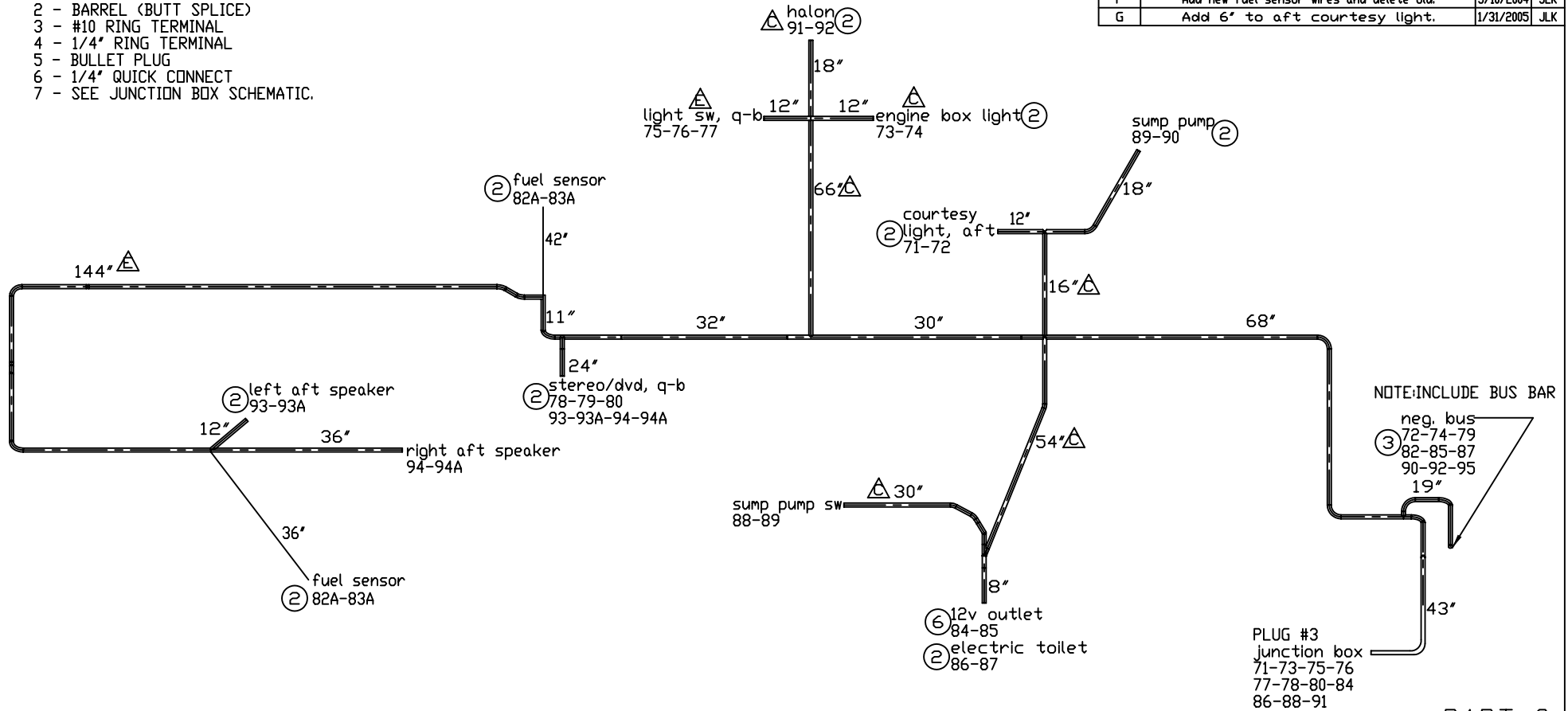
SCALE: 0.050 HUNTER PART NO. TBD REVISION - DRAW # HULL_HARNESS_R-A

HARNESS LOCATION - STBD AFT

SYMBOL	REVISIONS	DATE	ENG
A	SEE PAGE 1	2/06/2003	JLK
B	Complete Update.	3/31/2003	JLK
C	SEE TRIANGLE SYMBOL 'C'	5/22/2003	JLK
D	Delete #93 at junction box. Update connector 'F'.	6/02/2003	JLK
E	Update wire# 93, 93A, 94, 94A, 75, 76 and 77	8/11/2003	JLK
F	Add new fuel sensor wires and delete old.	5/10/2004	JLK
G	Add 6" to aft courtesy light.	1/31/2005	JLK

LEGEND -

- 1 - SEE CONNECTOR LIST
- 2 - BARREL (BUTT SPLICE)
- 3 - #10 RING TERMINAL
- 4 - 1/4" RING TERMINAL
- 5 - BULLET PLUG
- 6 - 1/4" QUICK CONNECT
- 7 - SEE JUNCTION BOX SCHEMATIC.



NOTE: INCLUDE BUS BAR

③ neg. bus
72-74-79
82-85-87
90-92-95
19"

PLUG #3
junction box
71-73-75-76
77-78-80-84
86-88-91

PART 3

PROPRIETARY INFORMATION - THIS DRAWING CONTAINS INFORMATION FOR WHICH HUNTER MARINE CORPORATION HAS PROPRIETARY RIGHTS



HUNTER 41

DRAWING TITLE: DC HULL HARNESS			
DRAWN BY: JLK	DATE: 22-Jan-03	SHEET 3	OF 5
SCALE: 0.017	HUNTER PART NO. TBD	REVISION -	DRAW # HULL HARNESS R-A

CHECKED

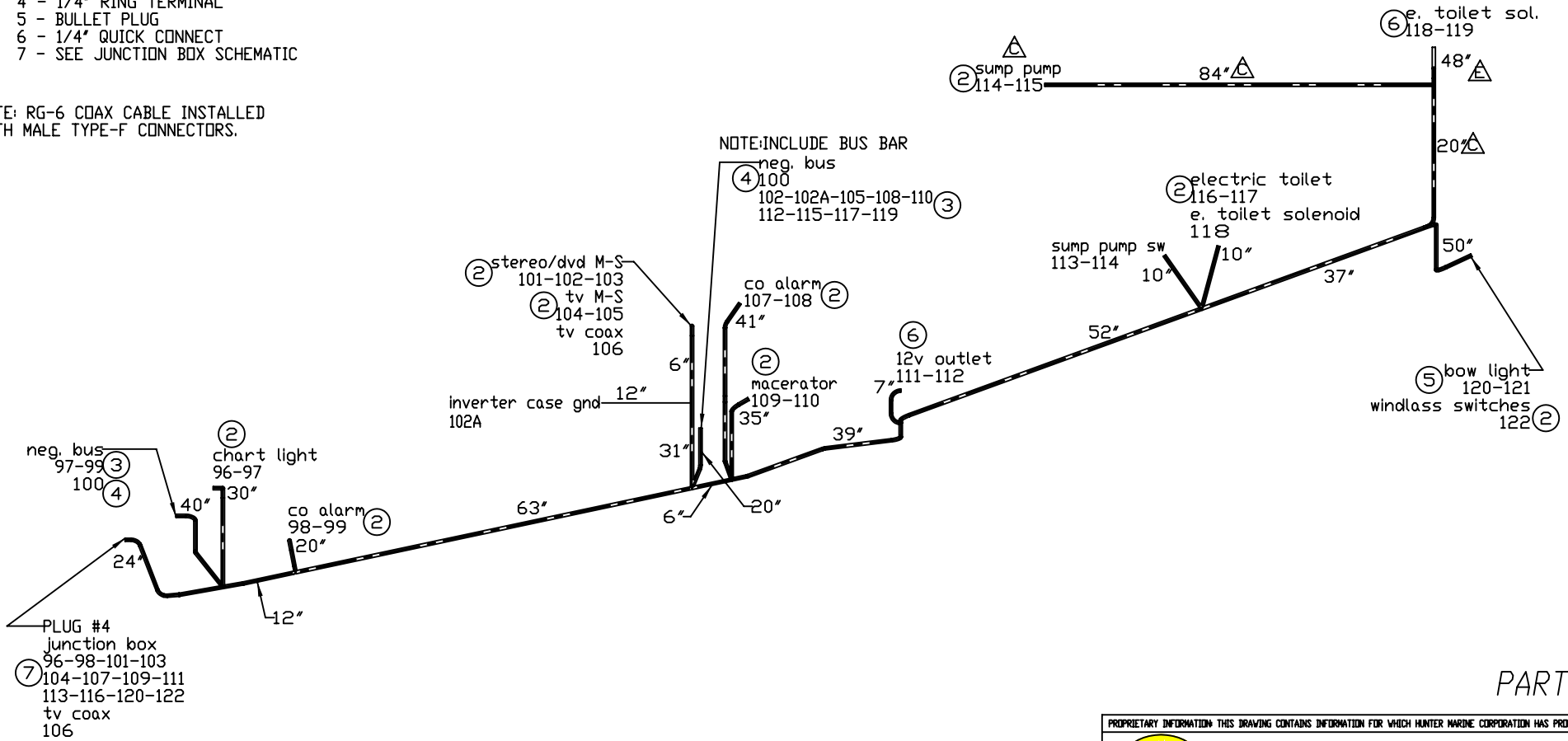
HARNESS LOCATION - STBD FWD

- LEGEND -
 1 - SEE CONNECTOR LIST
 2 - BARREL (BUTT SPLICE)
 3 - #10 RING TERMINAL
 4 - 1/4" RING TERMINAL
 5 - BULLET PLUG
 6 - 1/4" QUICK CONNECT
 7 - SEE JUNCTION BOX SCHEMATIC

NOTE: RG-6 COAX CABLE INSTALLED WITH MALE TYPE-F CONNECTORS.


NOTE: INCLUDE BUS BAR

SYMBOL	REVISIONS	DATE	ENG
A	Deleted wire #118 at junction box and added #122	2/06/2003	JLK
B	Complete Update.	3/31/2003	JLK
C	SEE TRIANGLE 'C'	5/22/2003	JLK
D	Update Part 1, 4 and 5.	6/02/2003	JLK
E	Update wire #118 and 119	8/11/2003	JLK
F	Corrected #119	3/8/2005	JLK
G	Added inverter case ground.	11/18/2005	JLK



PART 4

PROPRIETARY INFORMATION THIS DRAWING CONTAINS INFORMATION FOR WHICH HUNTER MARINE CORPORATION HAS PROPRIETARY RIGHTS



HUNTER 41

DRAWING TITLE: DC HULL HARNESS

DRAWN BY: JLK DATE: 22-Jan-03 SHEET 4 OF 5

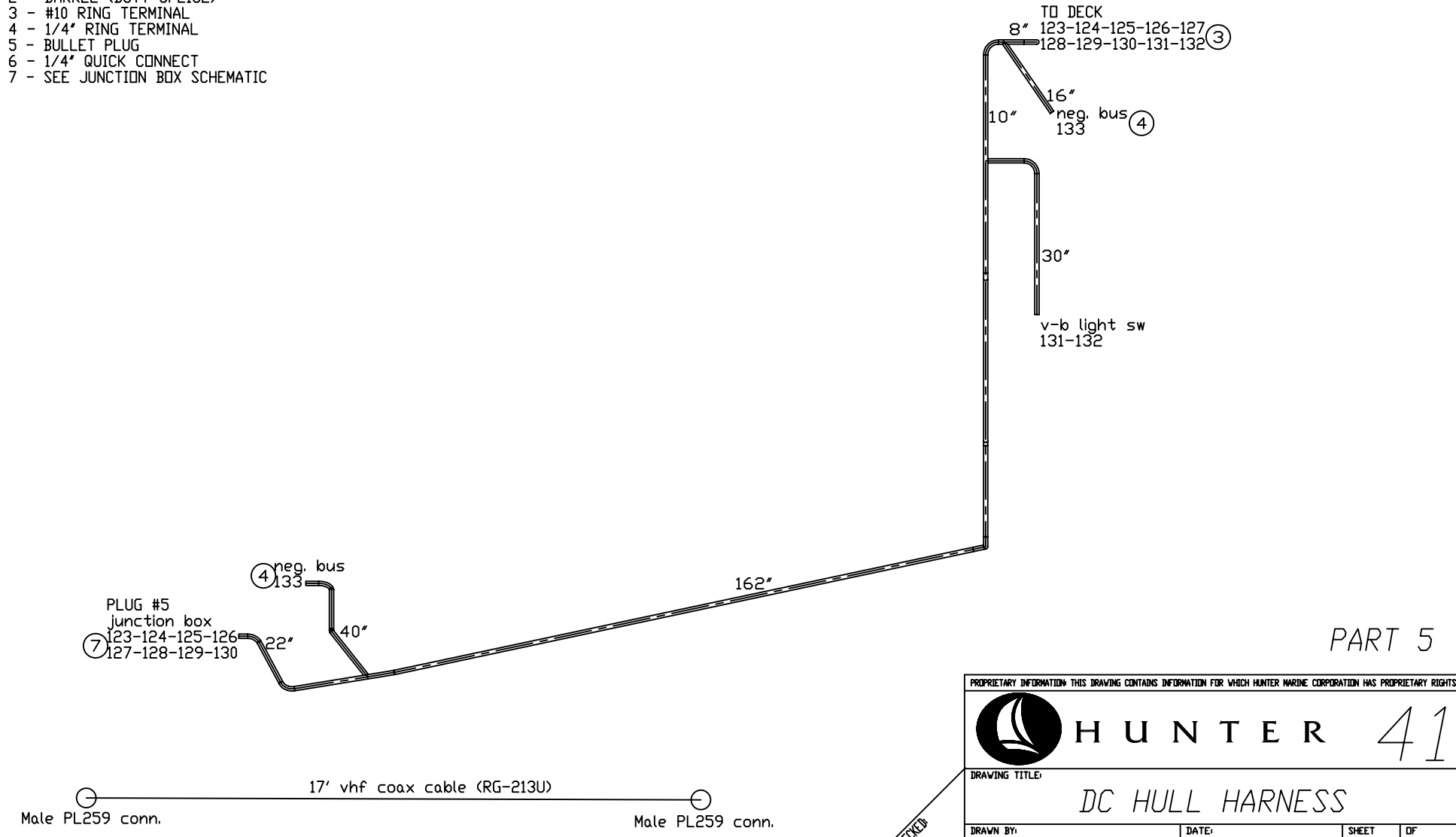
SCALE: 0.026 HUNTER PART NO. TBD REVISION: - DRAW # HULL HARNESS R-A

HARNESS LOCATION - STBD TO DECK

SYMBOL	REVISIONS	DATE	ENG
A	SEE PAGE 1	2/06/2003	JLK
B	Complete Update.	3/31/2003	JLK
C	NO CHANGE	5/22/2003	JLK
D	Change V-B light sw drop #131-132. Change drop to deck.	6/02/2003	JLK


LEGEND -

- 1 - SEE CONNECTOR LIST
- 2 - BARREL (BUTT SPLICE)
- 3 - #10 RING TERMINAL
- 4 - 1/4" RING TERMINAL
- 5 - BULLET PLUG
- 6 - 1/4" QUICK CONNECT
- 7 - SEE JUNCTION BOX SCHEMATIC



PART 5

PROPRIETARY INFORMATION THIS DRAWING CONTAINS INFORMATION FOR WHICH HUNTER MARINE CORPORATION HAS PROPRIETARY RIGHTS.



HUNTER 41

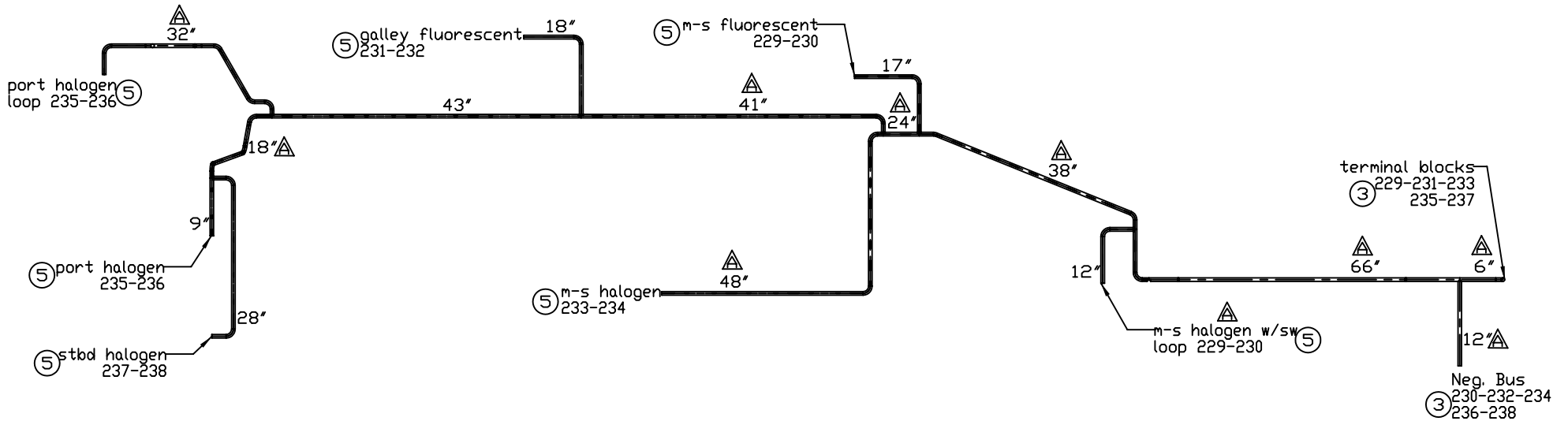
DRAWING TITLE: **DC HULL HARNESS**

DRAWN BY: ENG	DATE: 22-Jan-03	SHEET 5	OF 5
SCALE: 0.013	HUNTER PART NO. TBD	REVISION: -	DRAW # HULL_HARNESS_R-A

CHECKED

HARNESS LOCATION - PORT AND CENTER

SYMBOL	REVISIONS	DATE	ENG
A	UPDATE DROPS LENGTHS	7/03/2003	JLK



- LEGEND -
- 1 - SEE CONNECTOR LIST
 - 2 - BARREL (BUTT SPLICE)
 - 3 - #10 RING TERMINAL
 - 4 - 1/4" RING TERMINAL
 - 5 - BULLET PLUG
 - 6 - 1/4" QUICK CONNECT
 - 7 - SEE JUNCTION BOX SCHEMATIC

PROPRIETARY INFORMATION THIS DRAWING CONTAINS INFORMATION FOR WHICH HUNTER MARINE CORPORATION HAS PROPRIETARY RIGHTS



HUNTER 41

DRAWING TITLE: DECK HARNESS

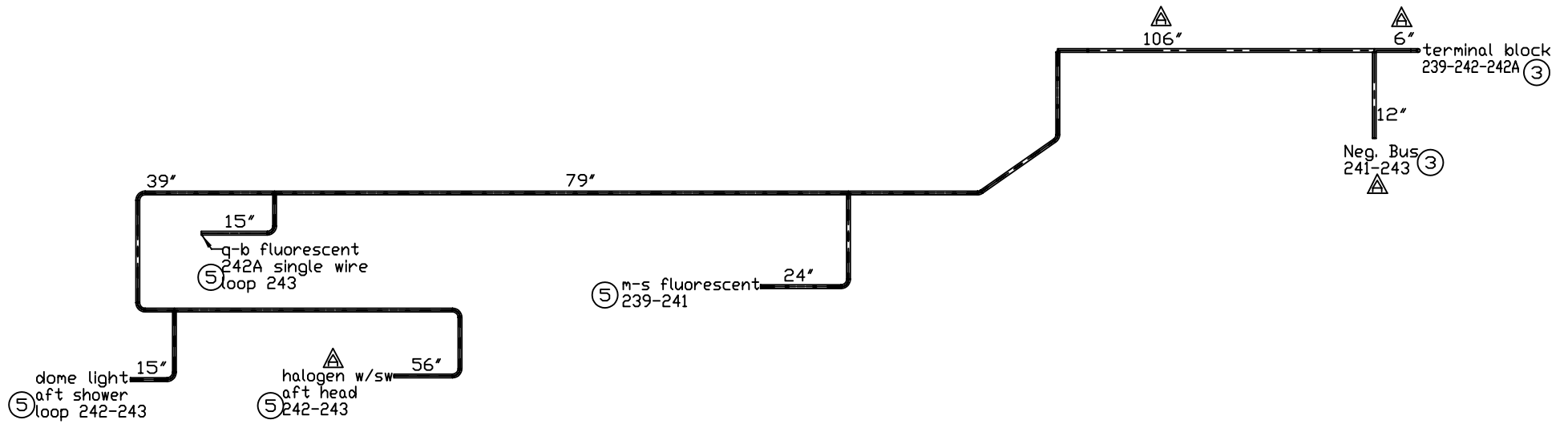
DRAWN BY: JLK	DATE: 02-Mar-03	SHEET 1 OF 5
SCALE: 0.045	HUNTER PART NO. TBD	REVISION: -
DRAW # 396 DECK HARN		

CHECKED

HARNESS LOCATION - STARBOARD

SYMBOL	REVISIONS	DATE	ENG
A	UPDATE WIRE DROPS. ADD 242A.	7/03/2003	JLK

- LEGEND -
- 1 - SEE CONNECTOR LIST
 - 2 - BARREL (BUTT SPLICE)
 - 3 - #10 RING TERMINAL
 - 4 - 1/4" RING TERMINAL
 - 5 - BULLET PLUG
 - 6 - 1/4" QUICK CONNECT
 - 7 - SEE JUNCTION BOX SCHEMATIC



PROPRIETARY INFORMATION THIS DRAWING CONTAINS INFORMATION FOR WHICH HUNTER MARINE CORPORATION HAS PROPRIETARY RIGHTS



DRAWING TITLE: DECK HARNESS			
DRAWN BY: <i>JLK</i>	DATE: <i>02-Mar-03</i>	SHEET <i>2</i>	OF <i>5</i>
SCALE: <i>0.065</i>	HUNTER PART NO. <i>TBD</i>	REVISION <i>-</i>	DRAW # <i>396 DECK HARN</i>

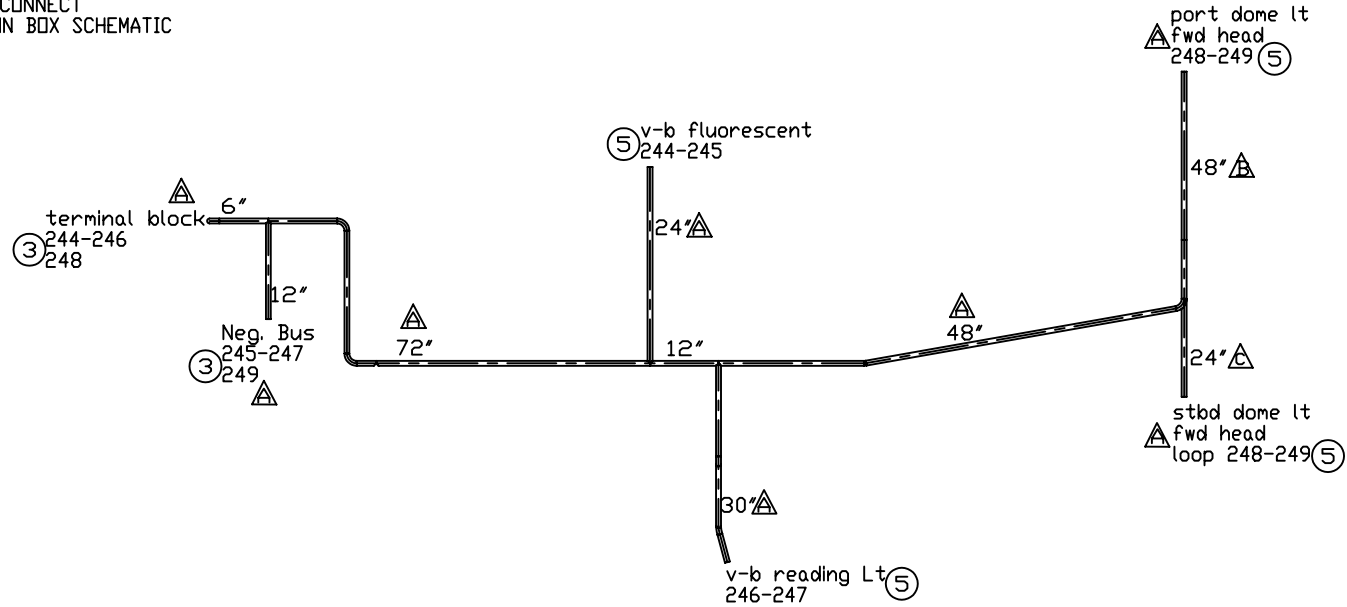
CHECKED

HARNESS LOCATION - V-B AND FWD

SYMBOL	REVISIONS	DATE	ENG
A	UPDATE WIRE DROPS.	7/03/2003	JLK
B	ADD 12 INCHES TO WIRE #248 AND 249	8/11/2003	JLK
C	ADD 6 INCHES TO STBD DOME LT DROP, FWD HEAD	9/04/2003	JLK

LEGEND -

- 1 - SEE CONNECTOR LIST
- 2 - BARREL (BUTT SPLICE)
- 3 - #10 RING TERMINAL
- 4 - 1/4" RING TERMINAL
- 5 - BULLET PLUG
- 6 - 1/4" QUICK CONNECT
- 7 - SEE JUNCTION BOX SCHEMATIC



PROPRIETARY INFORMATION THIS DRAWING CONTAINS INFORMATION FOR WHICH HUNTER MARINE CORPORATION HAS PROPRIETARY RIGHTS



HUNTER 41

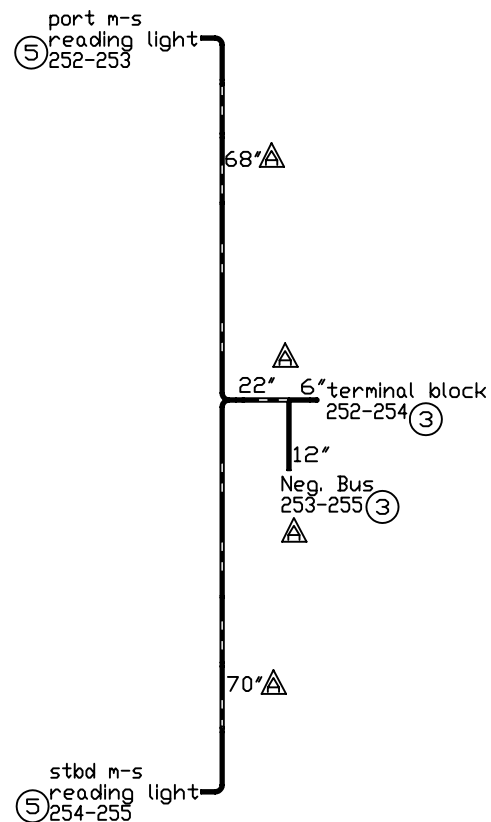
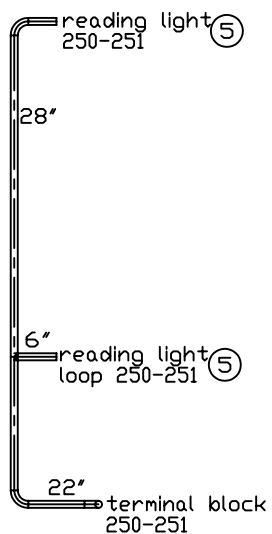
DRAWING TITLE: DECK HARNESS				
DRAWN BY: JLK	DATE: 02-Mar-03	SHEET 3	OF 5	
SCALE: 0.045	HUNTER PART NO. TBD	REVISION -	DRAW # 396 DECK HARN	

CHECKED

HARNESS LOCATION - V-B HEADBOARD
AND MAIN SALON READING LIGHTS

SYMBOL	REVISIONS	DATE	ENG
A	UPDATE WIRE DROPS	7/03/2003	JLK

- LEGEND -
- 1 - SEE CONNECTOR LIST
 - 2 - BARREL (BUTT SPLICE)
 - 3 - #10 RING TERMINAL
 - 4 - 1/4" RING TERMINAL
 - 5 - BULLET PLUG
 - 6 - 1/4" QUICK CONNECT
 - 7 - SEE JUNCTION BDX SCHEMATIC



PROPRIETARY INFORMATION THIS DRAWING CONTAINS INFORMATION FOR WHICH HUNTER MARINE CORPORATION HAS PROPRIETARY RIGHTS



HUNTER 41

DRAWING TITLE: DECK HARNESS			
DRAWN BY: JLK	DATE: 02-Mar-03	SHEET 4	OF 5
SCALE: 0.045	HUNTER PART NO. TBD	REVISION -	DRAW # 396 DECK HARN

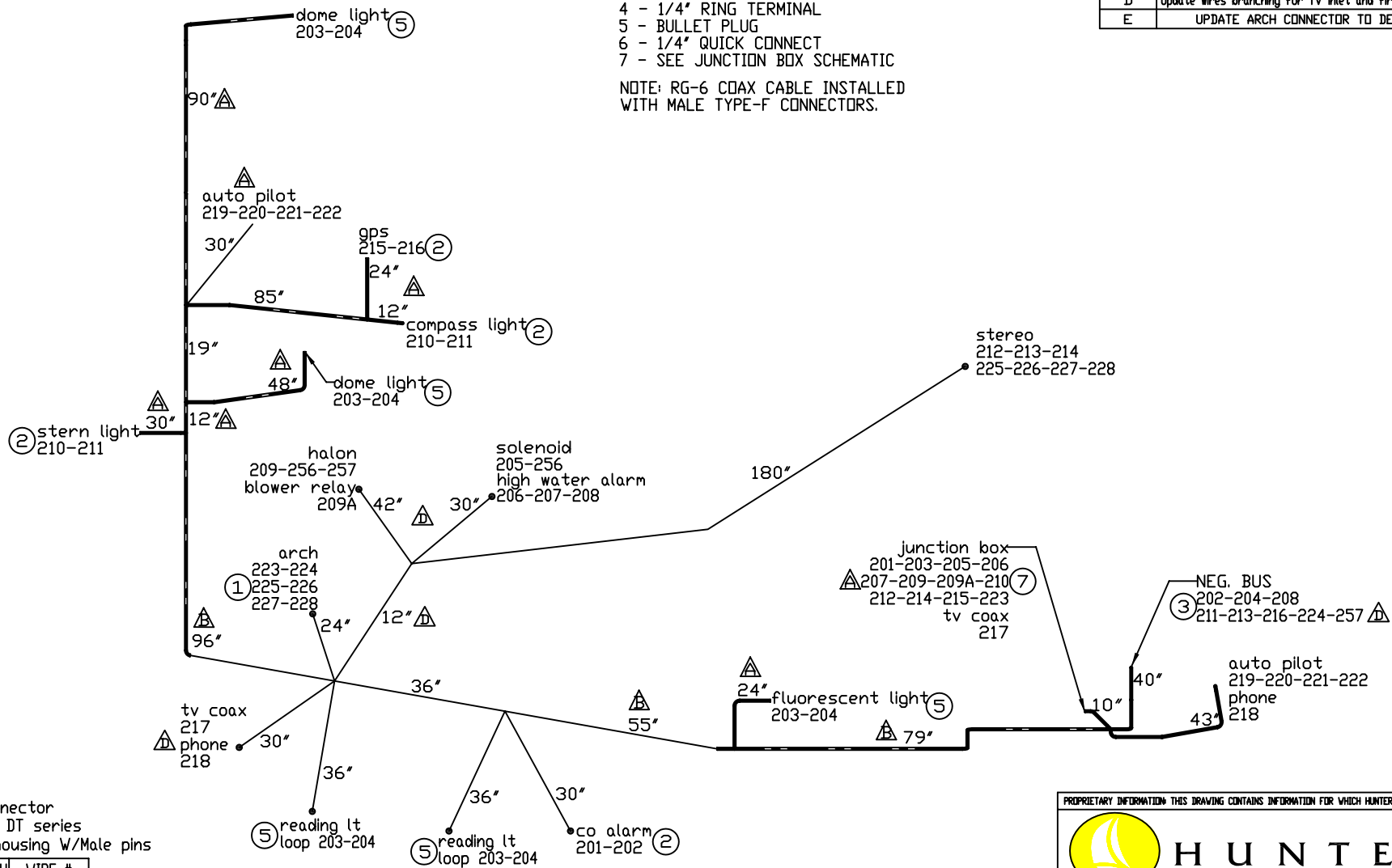
CHECKED

HARNESS LOCATION - STARBOARD AFT

LEGEND -
 1 - SEE CONNECTOR LIST
 2 - BARREL (BUTT SPLICE)
 3 - #10 RING TERMINAL
 4 - 1/4" RING TERMINAL
 5 - BULLET PLUG
 6 - 1/4" QUICK CONNECT
 7 - SEE JUNCTION BOX SCHEMATIC

NOTE: RG-6 COAX CABLE INSTALLED WITH MALE TYPE-F CONNECTORS.


SYMBOL	REVISIONS	DATE	ENG
A	UPDATE WIRE DROPS. ADD #209A.	7/03/2003	JLK
B	Update wires 201, 202, 203 and 204	8/11/2003	JLK
C	Add 12.5' to cockpit stereo wires.	8/28/2003	JLK
D	Update wires branching for TV inlet and fire ext. system.	9/04/2003	JLK
E	UPDATE ARCH CONNECTOR TO DEUTSCH	6/08/04	JLK



NOTE: Connector
 Deutsch DT series
 Female housing W/Male pins

CONN. ARCH	WIRE #
1	#223
2	#224
3	#225
4	#226
5	#227
6	#228

PROPRIETARY INFORMATION THIS DRAWING CONTAINS INFORMATION FOR WHICH HUNTER MARINE CORPORATION HAS PROPRIETARY RIGHTS



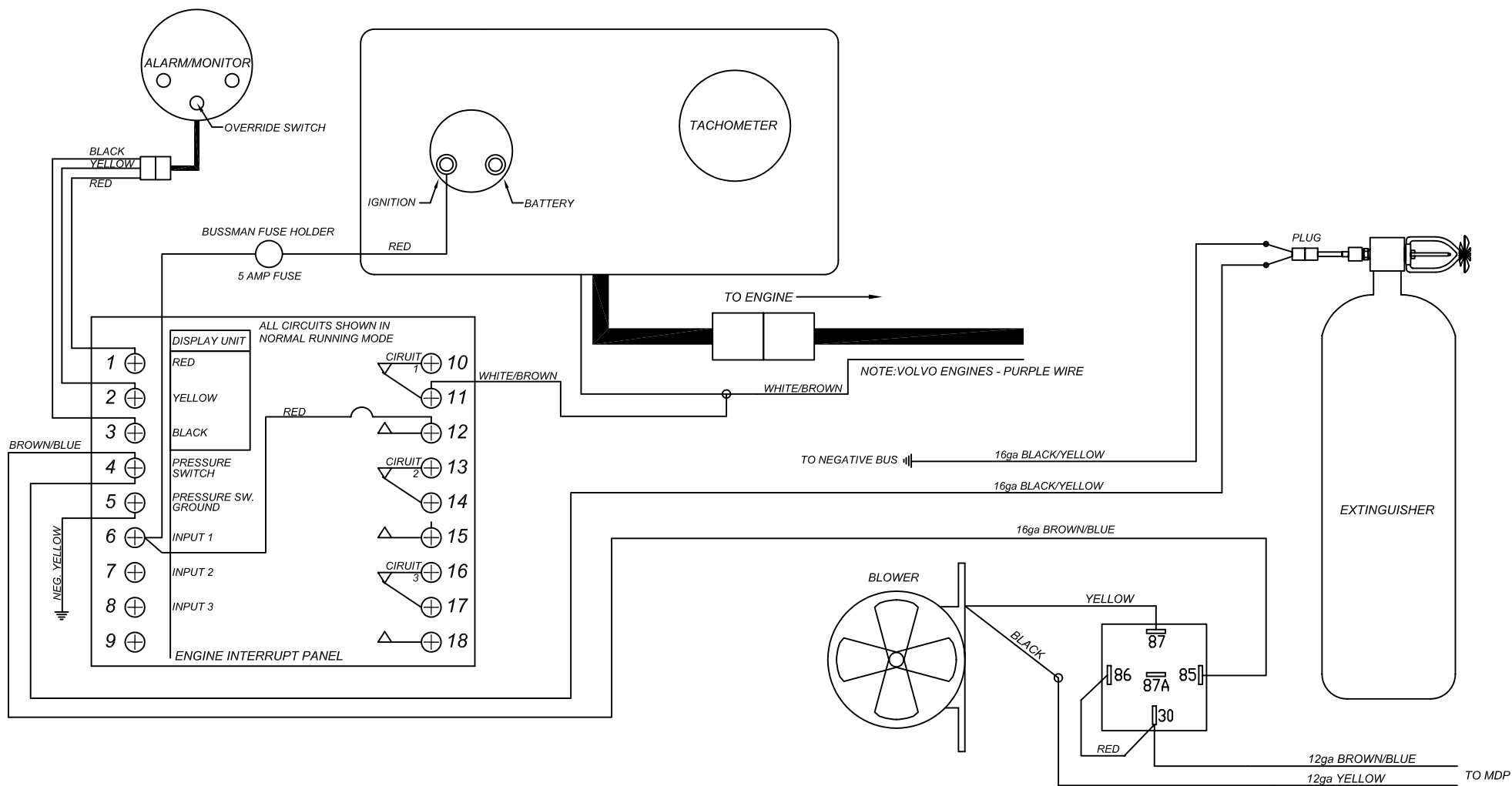
HUNTER 41

DRAWING TITLE: **DECK HARNESS**

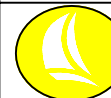
DRAWN BY: *JLK* DATE: *02-Mar-03* SHEET *5* OF *5*

SCALE: *0.045* HUNTER PART NO. *TBD* REVISION: *-* DRAW # *396 DECK HARN*

CHECKED



PROPRIETARY INFORMATION THIS DRAWING CONTAINS INFORMATION FOR WHICH HUNTER MARINE CORPORATION HAS PROPRIETARY RIGHTS.



HUNTER 41

DRAWING TITLE: <i>AUTOMATIC FIRE EXTINGUISHER SCHEMATIC</i>			
DRAWN BY: <i>JLK</i>	DATE: <i>12-Aug-03</i>	SHEET <i>1</i>	OF <i>1</i>
SCALE: <i>0.045</i>	HUNTER PART NO. <i>TBD</i>	REVISION <i>A</i>	DRAW # -----

