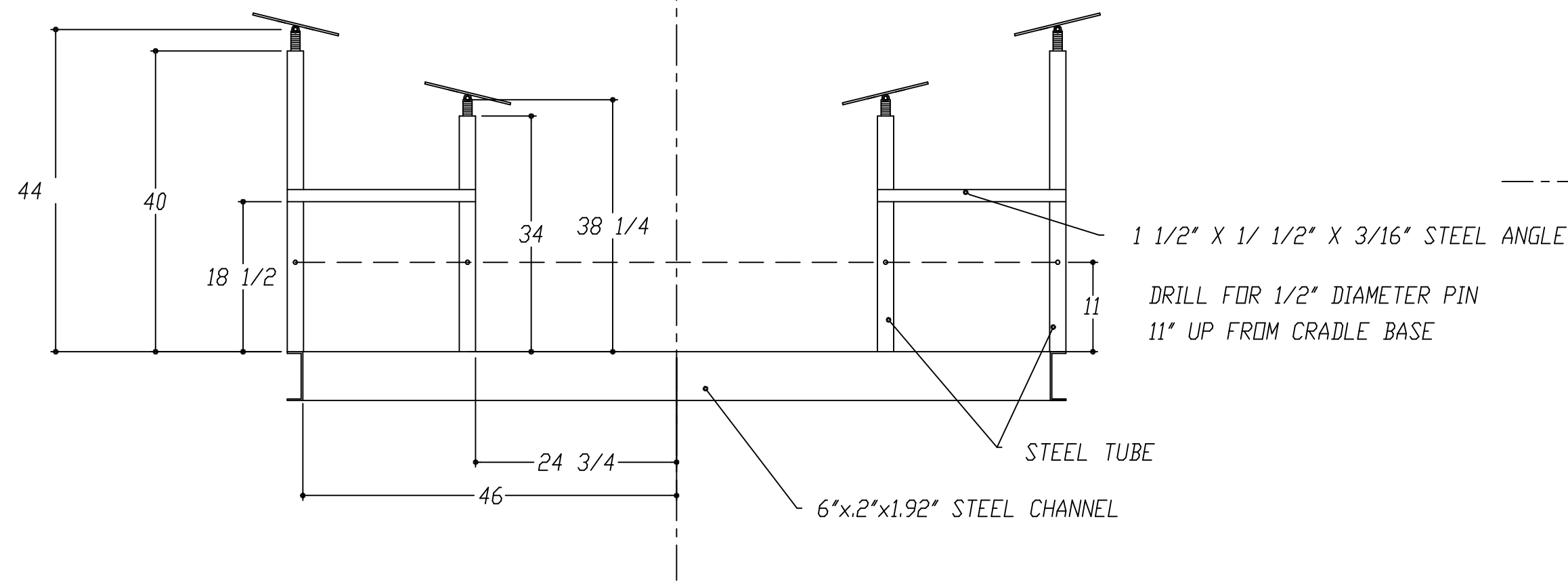
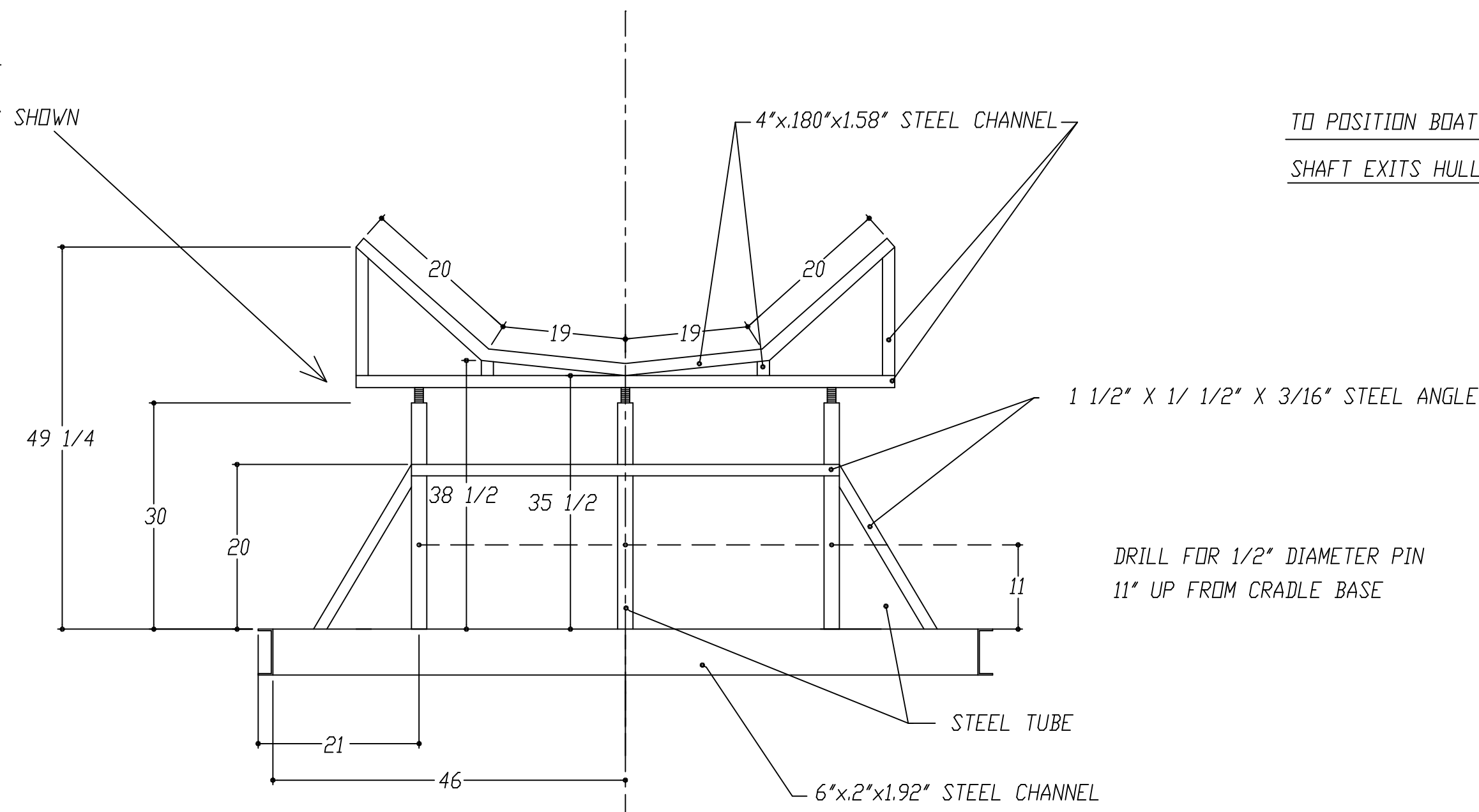


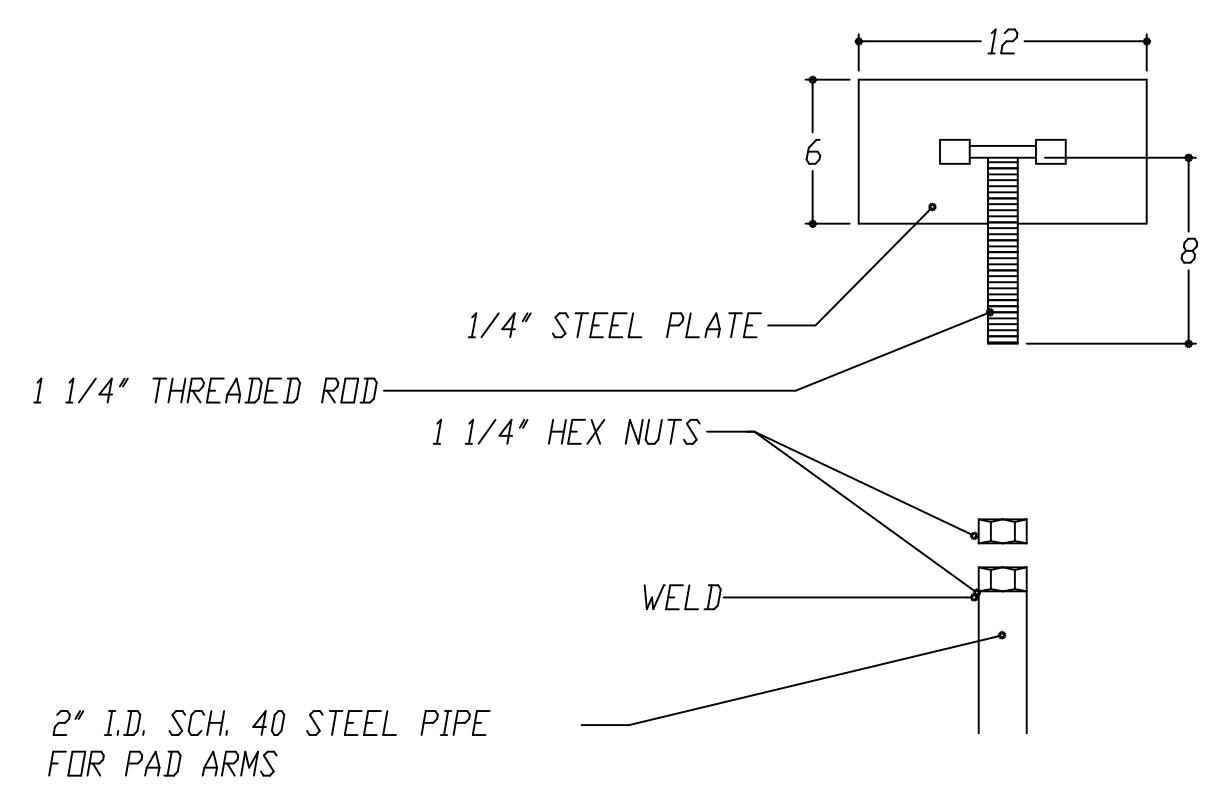
BRACKETS ARE ADJUSTABLE
BUILD LIKE PAD SUPPORTS
APRX. 2" EXPOSED THREADS SHOWN



ADJUSTABLE PAD SUPPORT

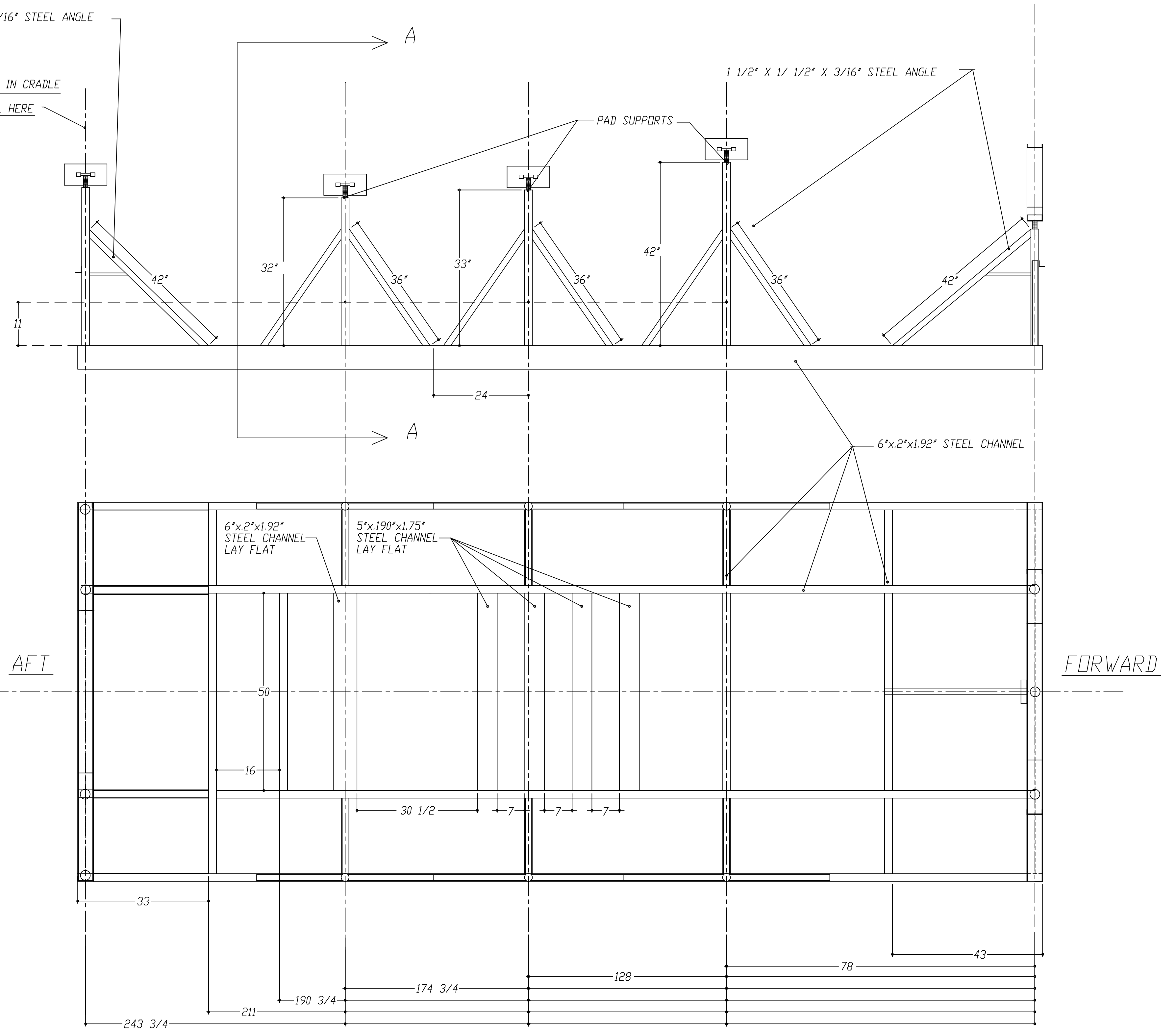
SCALE: 1 1/2" = 12"

ADJUSTABLE PAD ARMS
SHOULD BE THE FOLLOWING
LENGTHS AND QUANTITIES:
2 @ 33 1/2"
2 @ 34 1/2"
2 @ 43 1/2"
ALL DIMENS GIVEN TO
TOP OF WELDED NUT



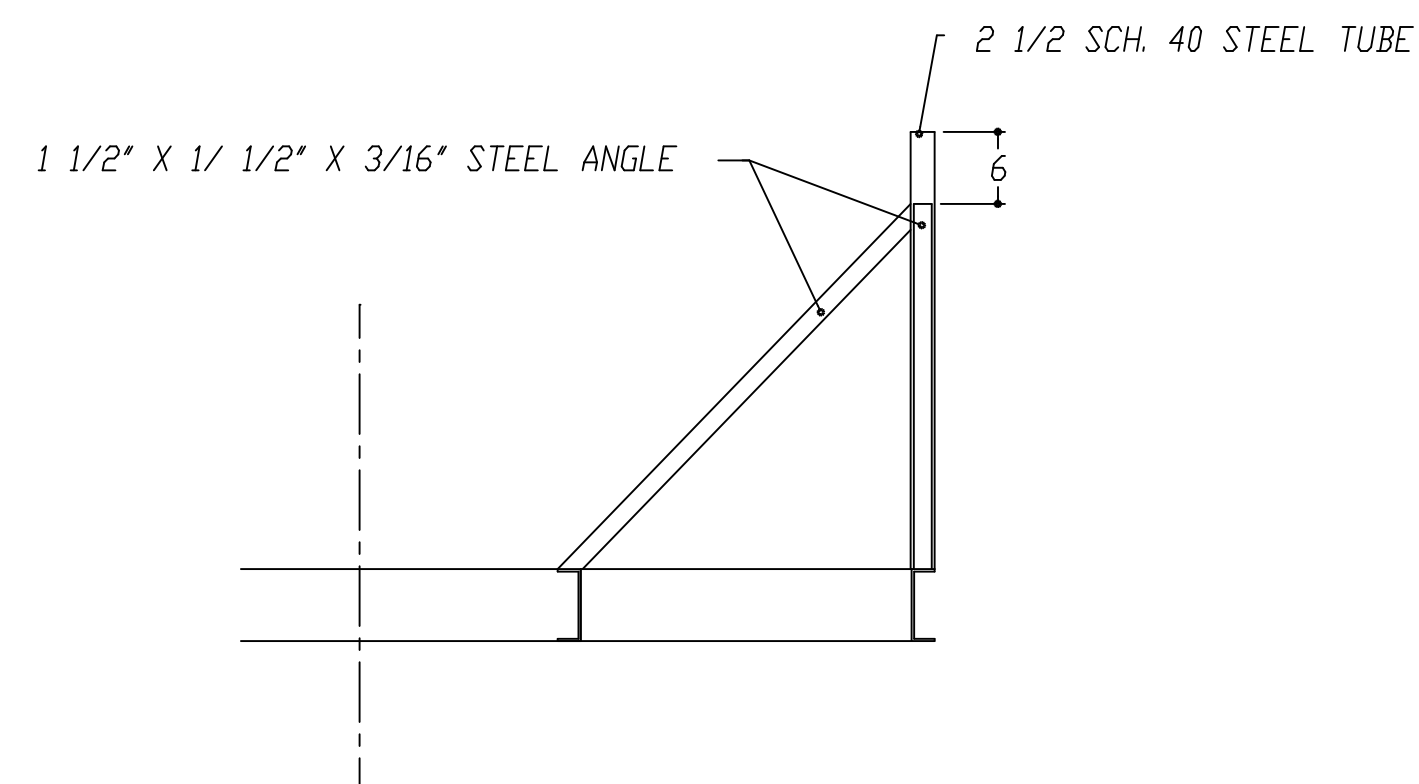
1 1/2" X 1 1/2" X 3/16" STEEL ANGLE

TO POSITION BOAT IN CRADLE
SHAFT EXITS HULL HERE



SECTION AA

TYPICAL PAD SUPPORT BRACE



NOTE: MATERIALS: 6"x200"x1.92" STEEL CHANNEL
5"x190"x1.75" STEEL CHANNEL
4"x180"x1.58" STEEL CHANNEL
1 1/2" X 1 1/2" X 3/16" STEEL ANGLE
2" ID SCH 40 STEEL TUBE
2 1/2" SCH 40 STEEL PIPE

WELDING: WELD ALL JOINTS WITH MIN. 1/8" FILLET, BEVEL, ETC.

ALL DIMENSIONS IN INCHES

SHIP		REV		DATE		DESCRIPTION		BY		CHECKED		APPROVED	
A		B		C		D		E		F		G	
1-10-90		11-15-90		12-15-90		01-15-91		02-15-91		03-15-91		04-15-91	
SHORTENED SUPPORTS		LONGER ADJUSTABLE BRACKETS		ADJUSTABLE BRACKETS		LONGER SUPPORTS		ADJUSTABLE BRACKETS		ADJUSTABLE BRACKETS		ADJUSTABLE BRACKETS	
N/A		N/A		N/A		N/A		N/A		N/A		N/A	
FRACTIONAL		2 PLACE DECIMAL		3 PLACE DECIMAL		4 PLACE DECIMAL		ANGULAR		TOLERANCES UNLESS OTHERWISE SPECIFIED		DRAWING TITLE	
N/A		N/A		N/A		N/A		N/A		N/A		420-426 SHIPPING CRADLE	
PAPER SIZE		DRAWN BY		DATE		SCALE		PILOT SCALE		HUNTER PART NO.		DRAWING NO.	
D		SAM		7-13-89		3/4" = 12"		.0625=1		CR0087		H4225055	
<p>PROPRIETARY INFORMATION This document discloses information for which HUNTER MARINE CORP. has proprietary rights.</p> <p>DO NOT SCALE</p> <p>HUNTER</p>													