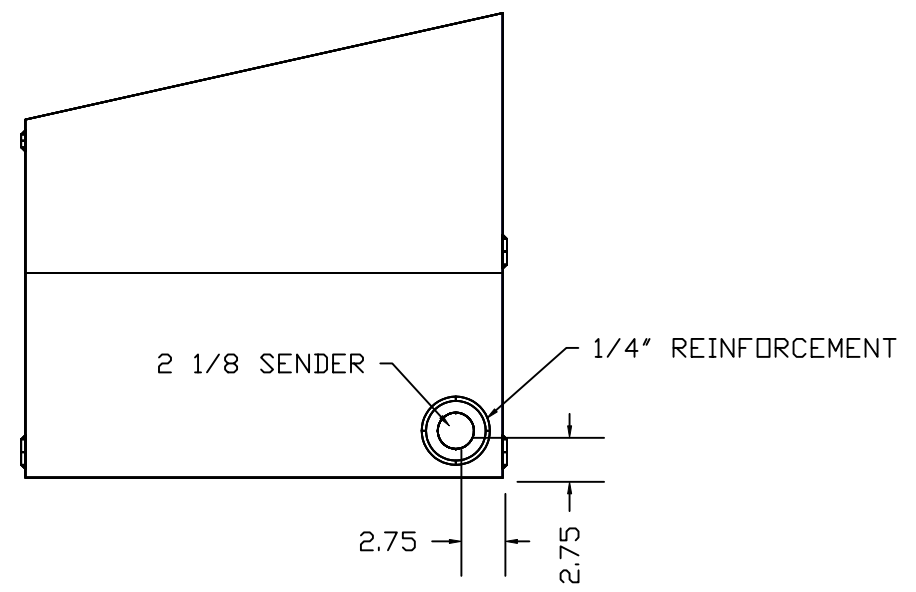
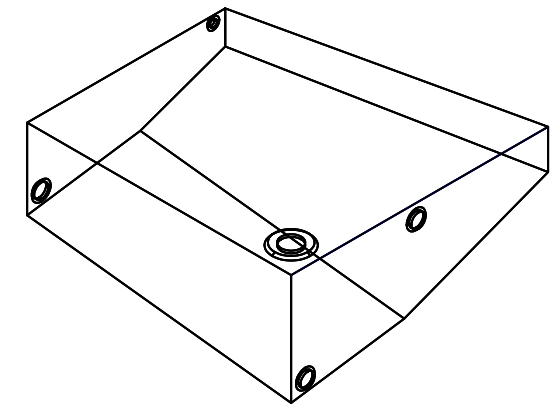


- NOTES -

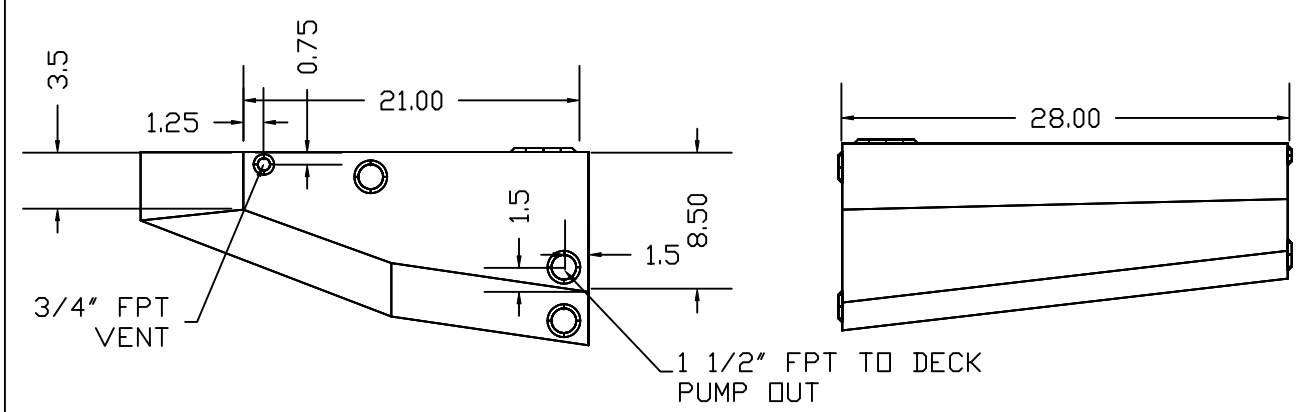
1. MATERIAL: POLYETHYLENE
2. CAPACITY: APPROX 23 U.S. GALLONS EACH
3. QUANTITY: 1 PER BOAT
4. TANKS MUST MEET ALL USCG AND ABYC STANDARDS
5. MAKE PROVISIONS FOR WEMA/DYNATROL LEVEL INDICATOR



- PLAN VIEW -

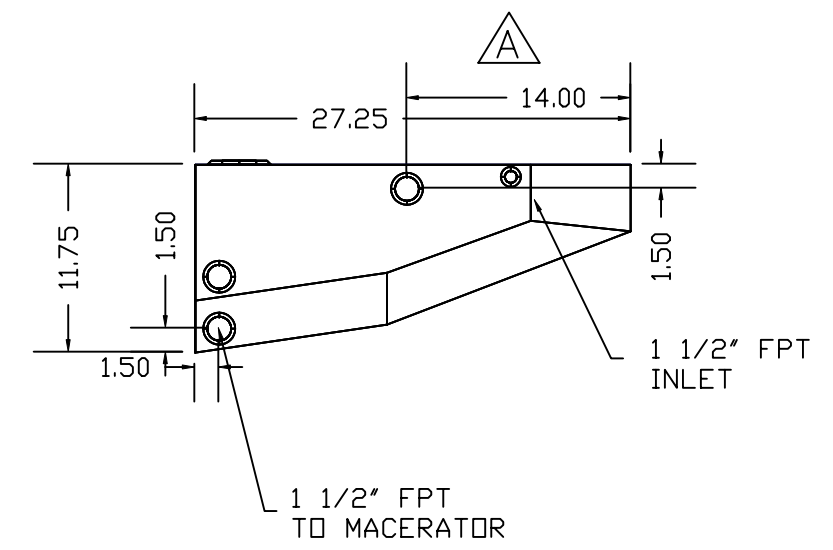


- ISO VIEW -



- AFT END VIEW -

- ELEVATION -



- FRONT END VIEW -

5					
4					
3					
2					
1					
0					
	REV. NO.	PLOT SCALE:	PAPER SIZE:	SCALE:	
		FULL	B	1" = 1'-0"	

DRAWING TITLE:		410 AFT WASTE TANK	
DRAWING NO.	41050006	REVISION NO.	A
SHEET	1 OF 1	HUNTER PART NO.	N/A
DRAWN BY:	CB	CHECK'D BY:	
DATE:	5/7/97	DATE:	___/___/___

A	MOVED INTAKE INBOARD 8"	6/25/97	CB
SYMBOL	REVISIONS	DATE	NAME

PROPRIETARY INFORMATION: This document discloses information for which HUNTER MARINE CORP. has proprietary rights.

HUNTER