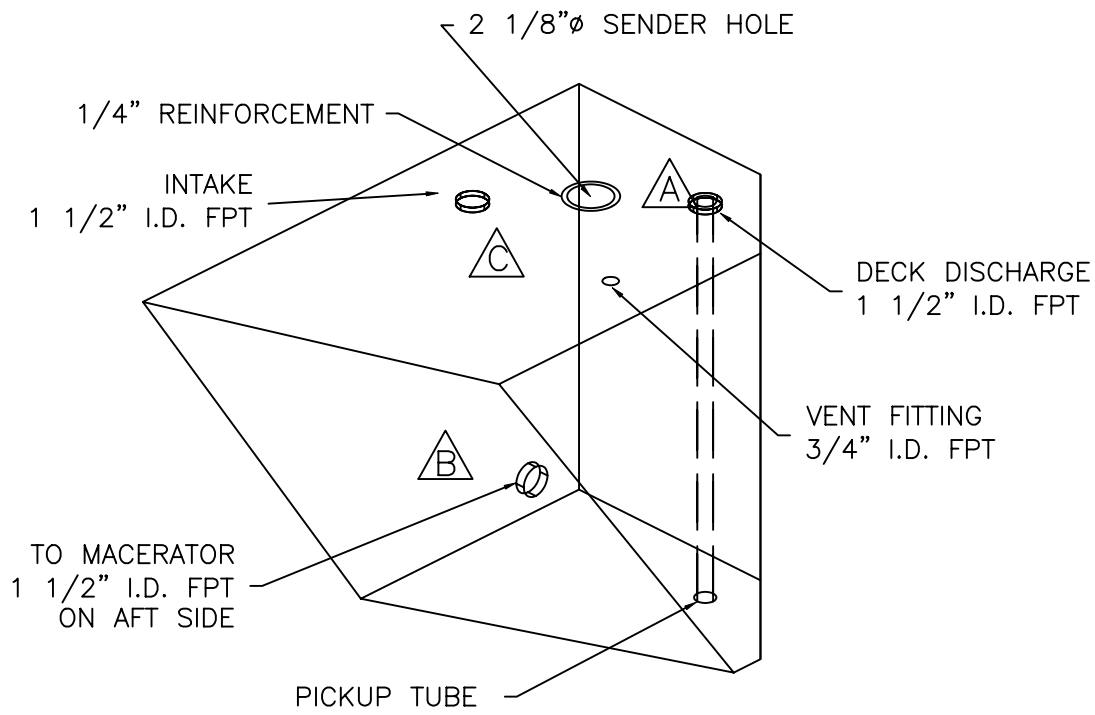


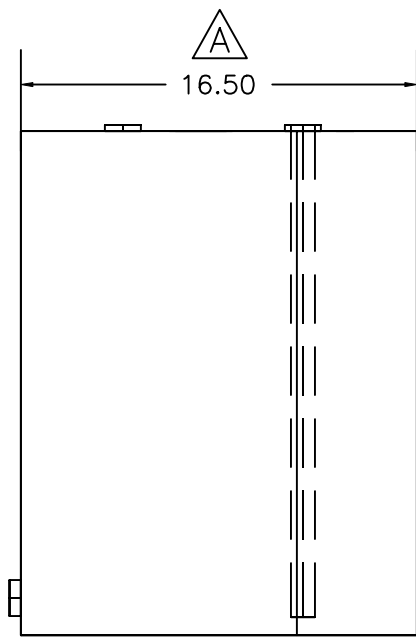
- PLAN VIEW -



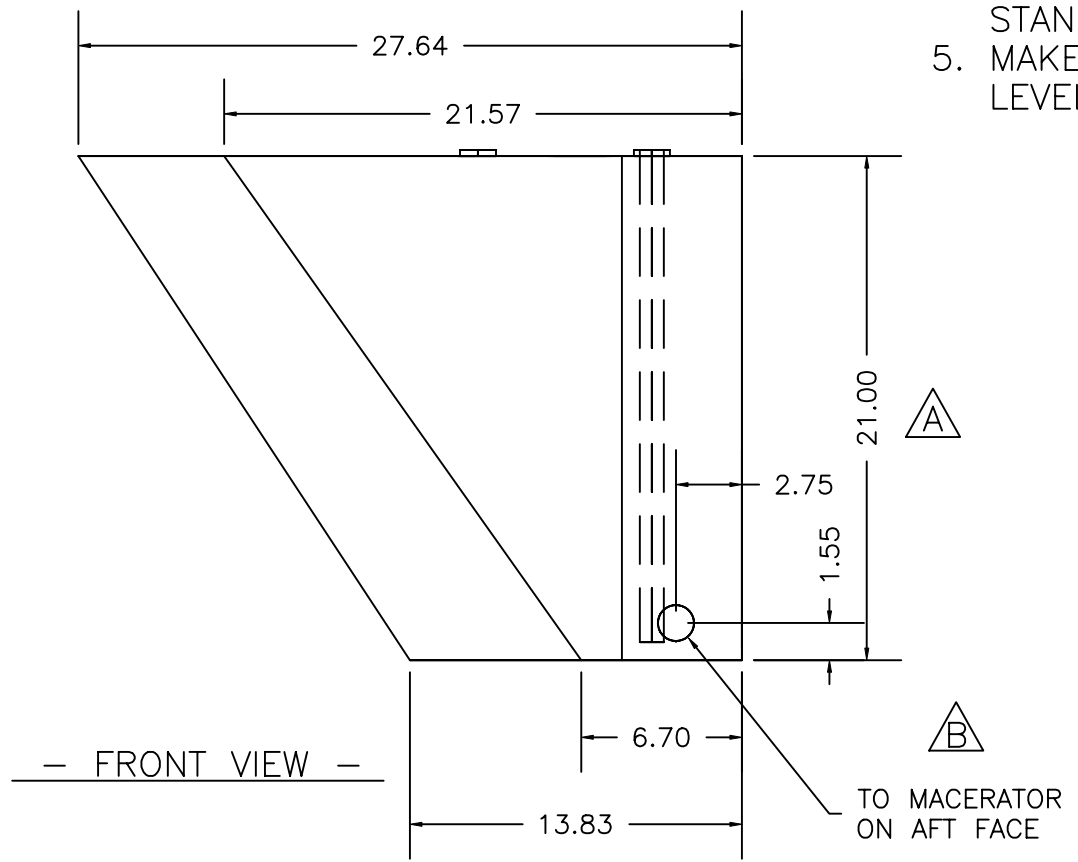
- ISO VIEW -

- NOTES -

1. MATERIAL: POLYETHYLENE OR 5052-H32 ALUMINUM
2. CAPACITY: APPROX 20 U.S. GALLONS
3. QUANTITY: 1 PER BOAT
4. TANK MUST MEET ALL USCG AND ABYC STANDARDS
5. MAKE PROVISIONS FOR WEMA/DYNATROL LEVEL INDICATOR



- ELEVATION -



- FRONT VIEW -

REV. NO.	DESCRIPTION	DATE	BY
5			
4			
3			
2			
1			
0			

5/5/99	CB	MOVE FITTING	D
5/14/98	CB	MOVE FITTINGS	C
4/22/98	CB	MOVE MACERATOR FITTING	B
4/13/98	CB	RECONFIGURE TANK & MOVE FITTINGS	A

5/7/97	CB	DATE	5/7/97
1-1/2" = 1'-0"	B	PAPER SIZE	SCALE

SYMBOL	REVISIONS	DATE	NAME

PROPRIETARY INFORMATION: This document discloses information for which HUNTER MARINE CORP. has proprietary rights.



DRAWING TITLE:		410 FWD WASTE TANK
DRAWING NO.	41050002	REVISION NO. A
SHEET	1 OF 1	HUNTER PART NO. N/A
DRAWN BY:	CB	CHECK'D BY:
DATE:	5/7/97	DATE:
REV. NO.	FULL	PLOT SCALE: FULL