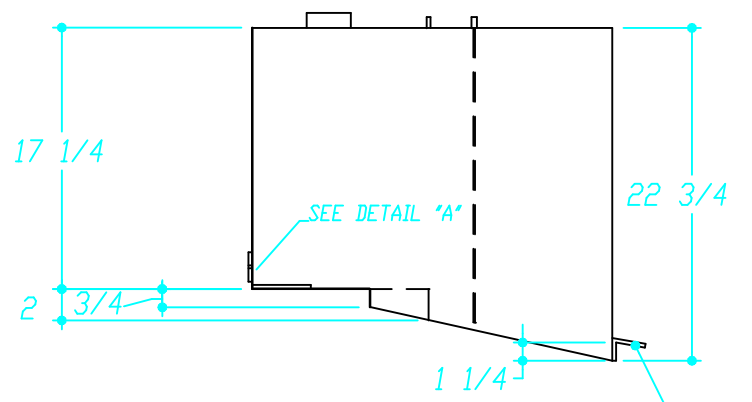


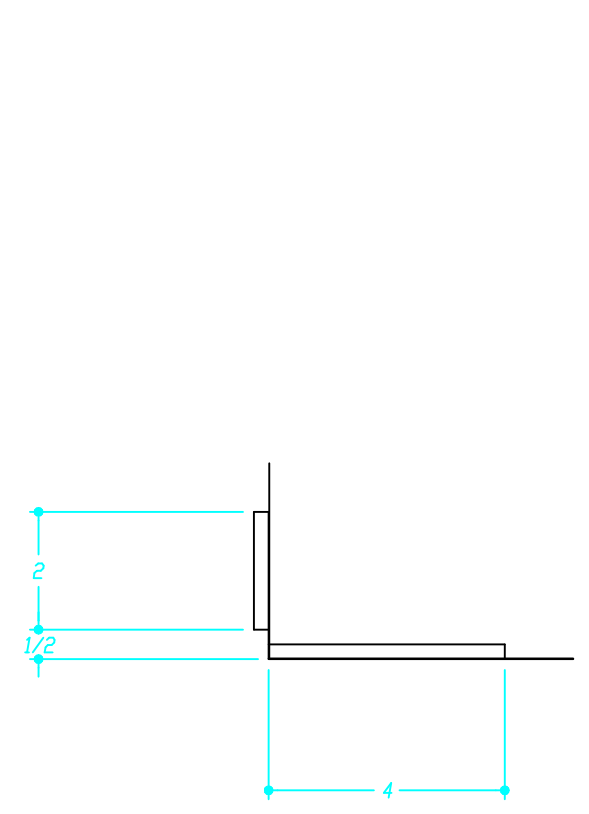
**TOP VIEW**

2 X 4 X 1/4 MOUNT TABS  
FLUSH W/ EDGE ,2 PLACES  
DRILL 1/4\" DIA. HOLES

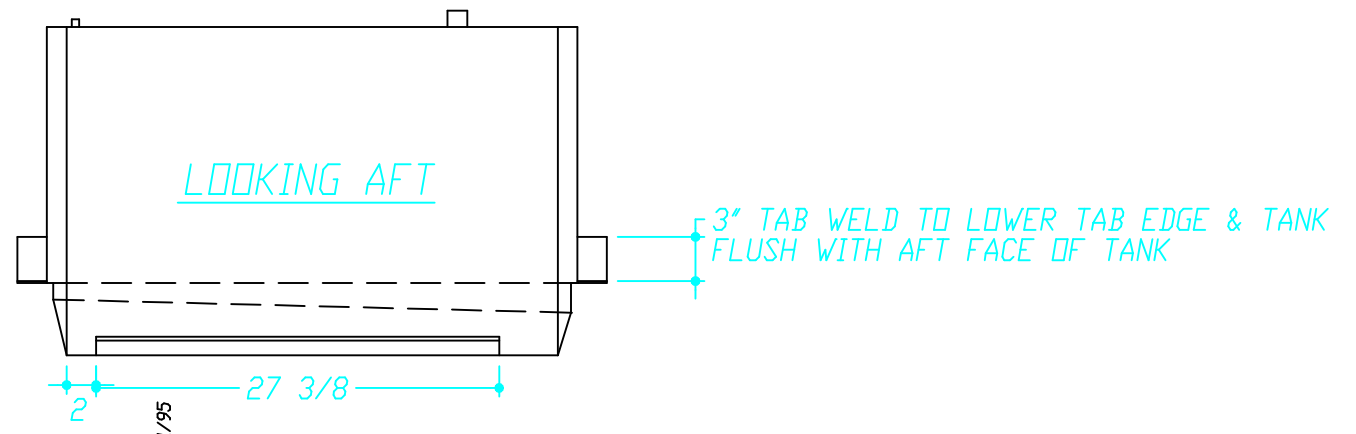


**SIDE VIEW**

1 1/4\" x 2\" x 1/8\" MOUNT BRACKET  
ANGLE TAB DOWN 10 DEGREES



**DETAIL "A"**



G GEN'L. REVS FITTING LOGS. DFM 5/1/95  
F 1/4\" MTG HOLE 11/30/92

REV	DATE	DESCRIPTION
E	8/25/92	MOVE VENT
D	6/18/91	RELOCATE VENT, GAUGE, PICKUPS
C	3/26/90	BRACKETS, VENTS GENERATOR PICKUP
B	2-14-90	DROP BACK 1"
A	2-2-90	ADD ANGLE, DIMS.

PROPRIETARY INFORMATION: This document discloses information for which HUNTER MARINE CORP. has proprietary rights.			
<b>DO NOT SCALE</b>			
<b>HUNTER</b>			
DRAWING TITLE: <b>H42 FUEL TANK #2</b>			
PAPER SIZE: <b>B</b>	DRAWN BY: <b>SKIP</b>	DATE: <b>1/3/90</b>	SCALE: <b>3/4=12</b>
PLOT SCALE: <b>.0625=1</b>	HUNTER PART NO. <b>N/A</b>	DRAWING NO. <b>H42B1905</b>	

**NOTES**

MATERIAL; USCG APPROVED PLASTIC OR 5456 ALUMINUM

CAPACITY; 70 GALLONS

IMPORTANT; BAFFLE TANK ACCORD. W/ USCG REGULATIONS.

GENERATOR PICKUP TUBE; 3\" FROM BOTTOM  
ENGINE PICKUP TUBE; 1/2\" FROM BOTTOM  
RUN BOTH PICKUPS TO CENTER OF TANK @ FORWARD END