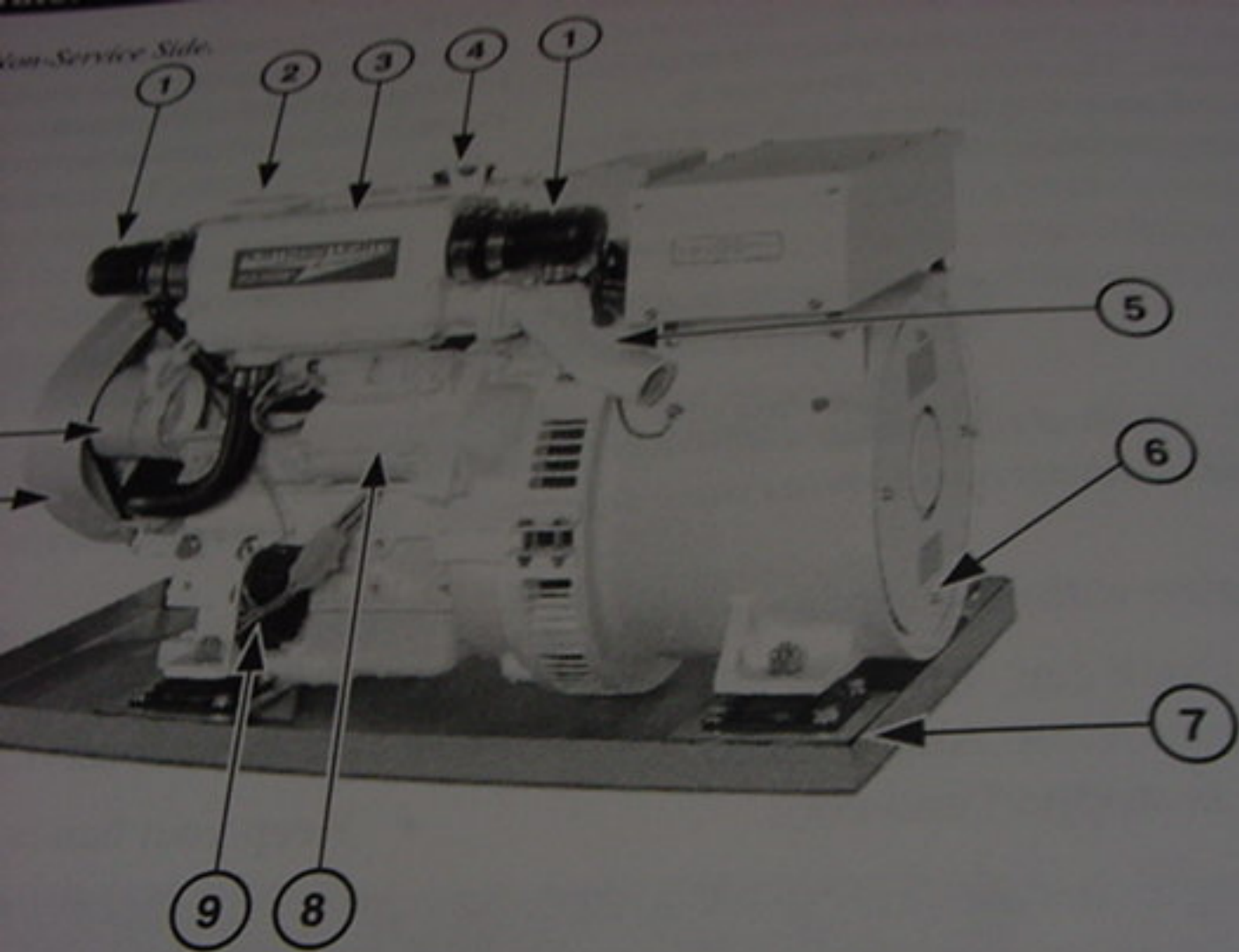


Non-Service Side.



2

1. Heat Exchanger End Cap
2. Coolant Fill
3. Heat Exchanger/Expansion Tank/Exhaust Manifold
4. Lube Oil Fill- Top
5. Wet Exhaust Elbow
6. Generator End Cover
7. Base and Drip Pan
8. Starter
9. DC R
10. Belt C
11. DC A
12. DC
13. Gen
14. AC



