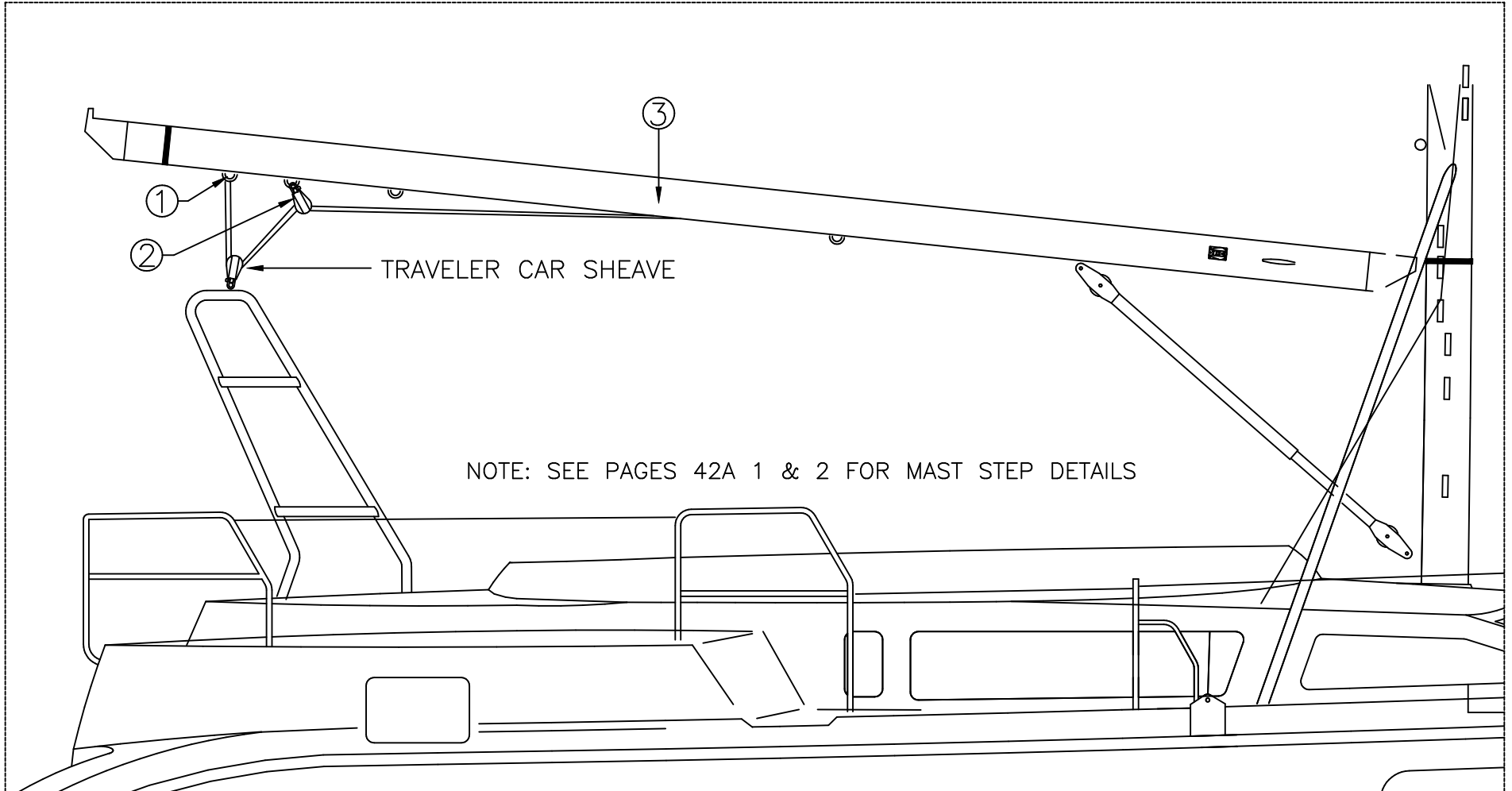


STANDARD MAINSHEET PURCHASE (ENDBOOM)

- ① BAIL, MAINSHEET END
- ② BAIL, MAINSHEET BLOCK
- ③ EXIT, MAINSHEET

NOTE:
SEE PAGE 43C FOR ENDBOOM TRAVELER DETAILS



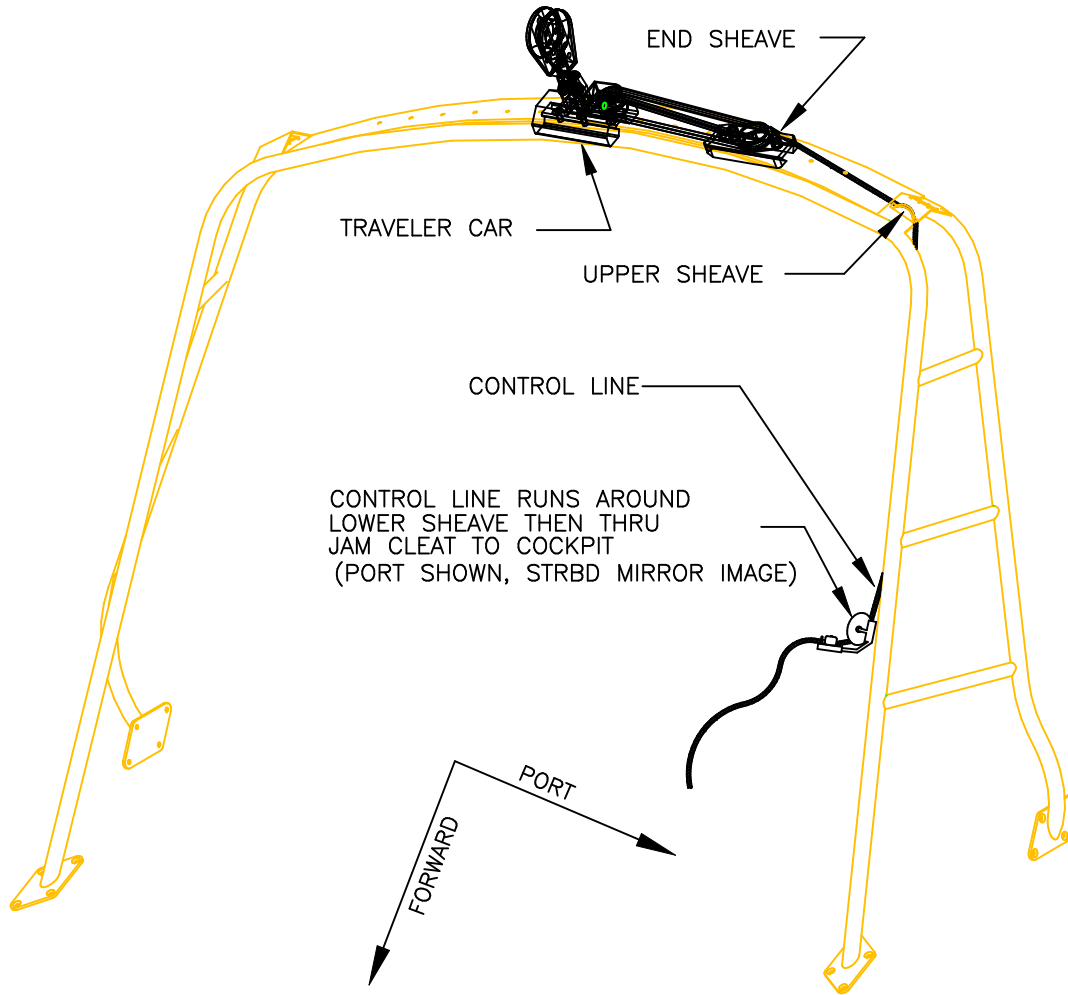
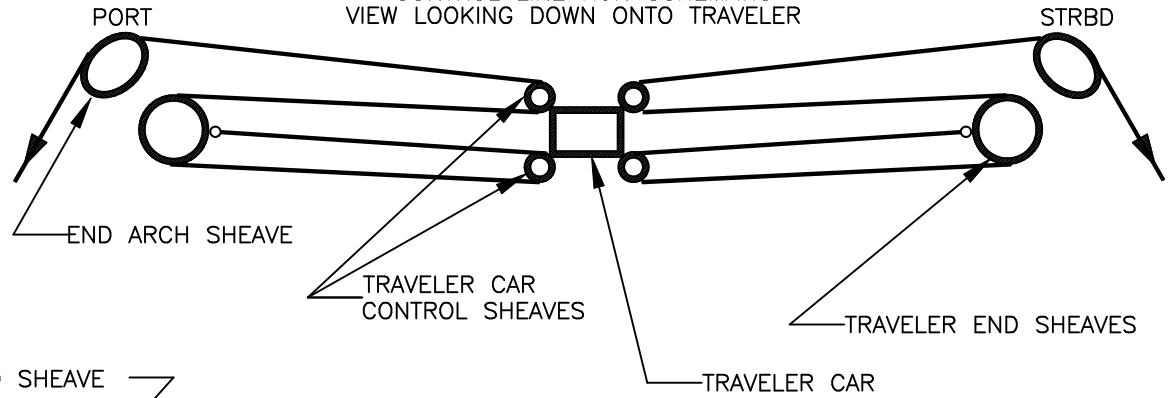
PAGE 43A

DRAWING TITLE: P420 MAINSHEET PURCHASE (STD)	
DRAWING NO. 4208043A	REVISION NO. NONE
DRAWN BY: ENGINEERING DEPT.	DATE: 5/28/98

This document discloses information for which HUNTER MARINE CORP. has proprietary rights.

HUNTER 

CONTROL LINE RUN SCHEMATIC
VIEW LOOKING DOWN ONTO TRAVELER



SEE PAGE 43A FOR
MAIN SHEET LINE RUNS

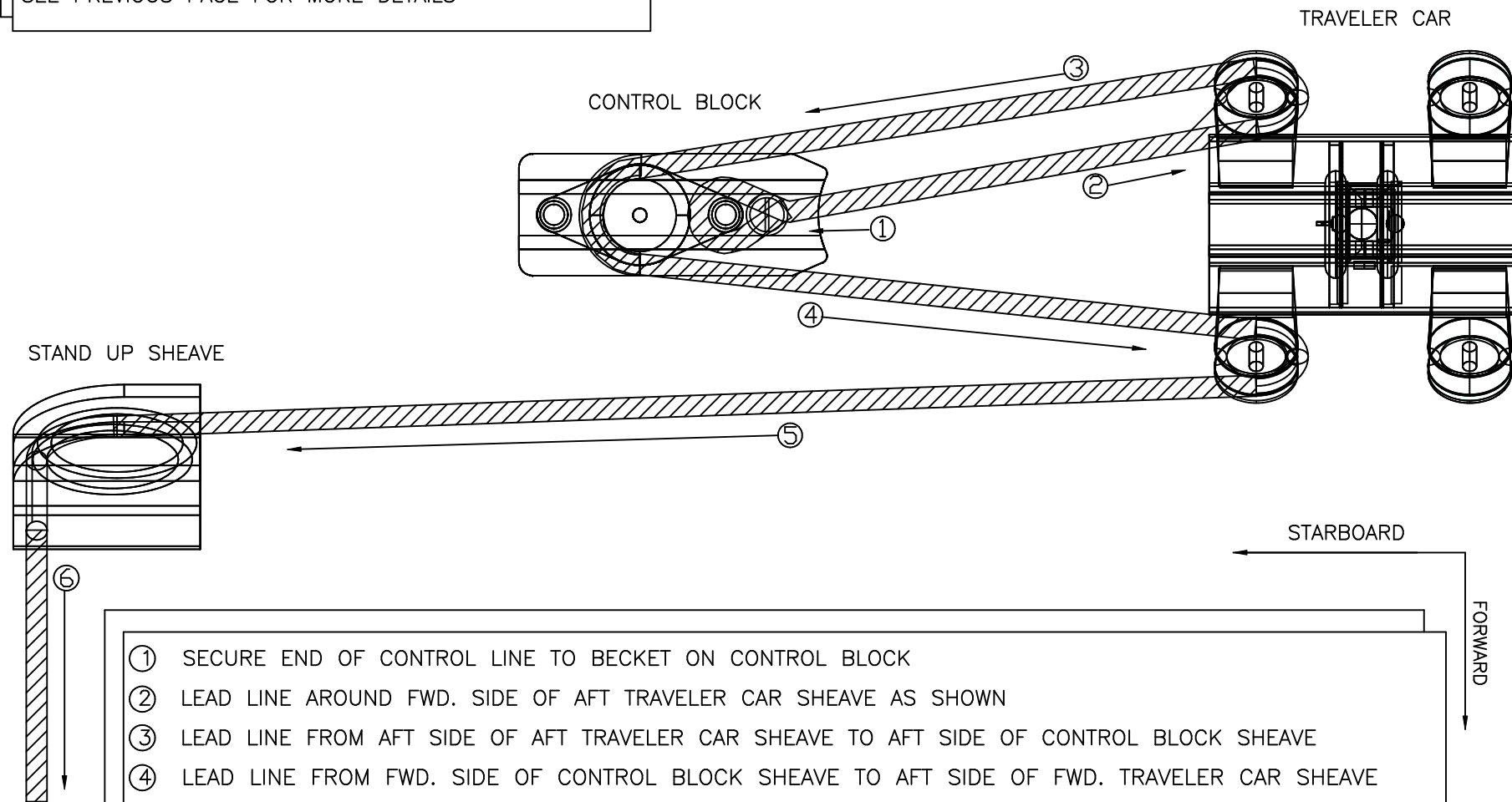
PAGE 43B

DRAWING TITLE: P420 TRAV. CONTROL LINE DETAILS	
DRAWING NO. 4208043B	REVISION NO. NONE
DRAWN BY: ENGINEERING DEPT.	DATE: 2/12/98

This document discloses information for which HUNTER MARINE CORP. has proprietary rights.



NOTE: ARCH & TRAVELER BAR NOT SHOWN FOR CLARITY.
 STARBOARD SIDE SHOWN, PORT SIDE IS MIRROR IMAGE
 SEE PREVIOUS PAGE FOR MORE DETAILS



- ① SECURE END OF CONTROL LINE TO BECKET ON CONTROL BLOCK
- ② LEAD LINE AROUND FWD. SIDE OF AFT TRAVELER CAR SHEAVE AS SHOWN
- ③ LEAD LINE FROM AFT SIDE OF AFT TRAVELER CAR SHEAVE TO AFT SIDE OF CONTROL BLOCK SHEAVE
- ④ LEAD LINE FROM FWD. SIDE OF CONTROL BLOCK SHEAVE TO AFT SIDE OF FWD. TRAVELER CAR SHEAVE
- ⑤ LEAD LINE FROM FWD. SIDE OF FWD. TRAVELER CAR SHEAVE TO STAND UP SHEAVE
- ⑥ LEAD LINE AROUND STAND UP SHEAVE THEN DOWN THRU ARCH AND AROUND LOWER SHEAVE TO CAM CLEAT

DRAWING TITLE: P420 OPTIONAL TRAVELER LAYOUT	
DRAWING NO. 4208043C	REVISION NO. NONE
DRAWN BY: ENGINEERING DEPT.	DATE: 10/7/98

This document discloses information for which HUNTER MARINE CORP. has proprietary rights.

