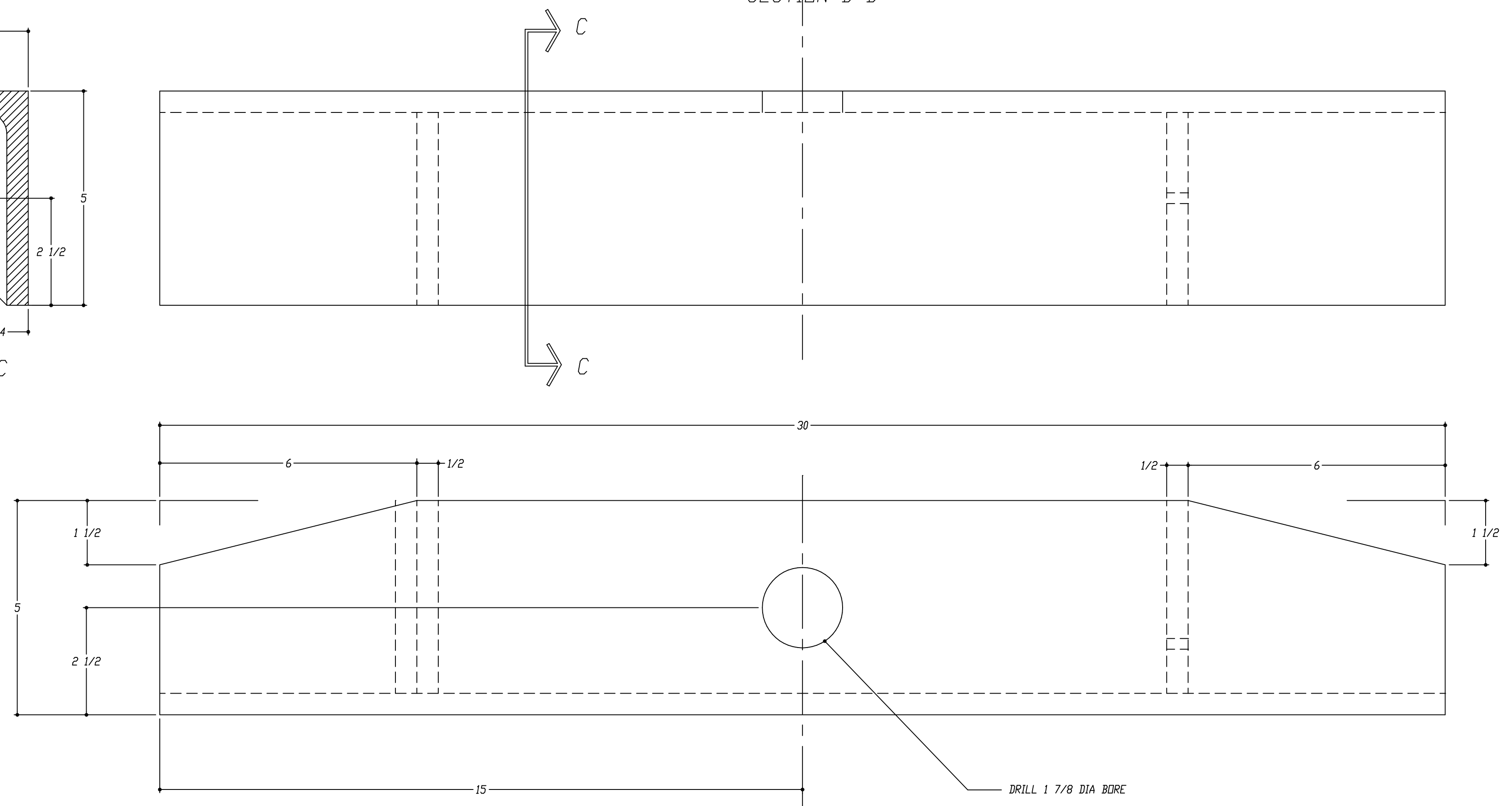
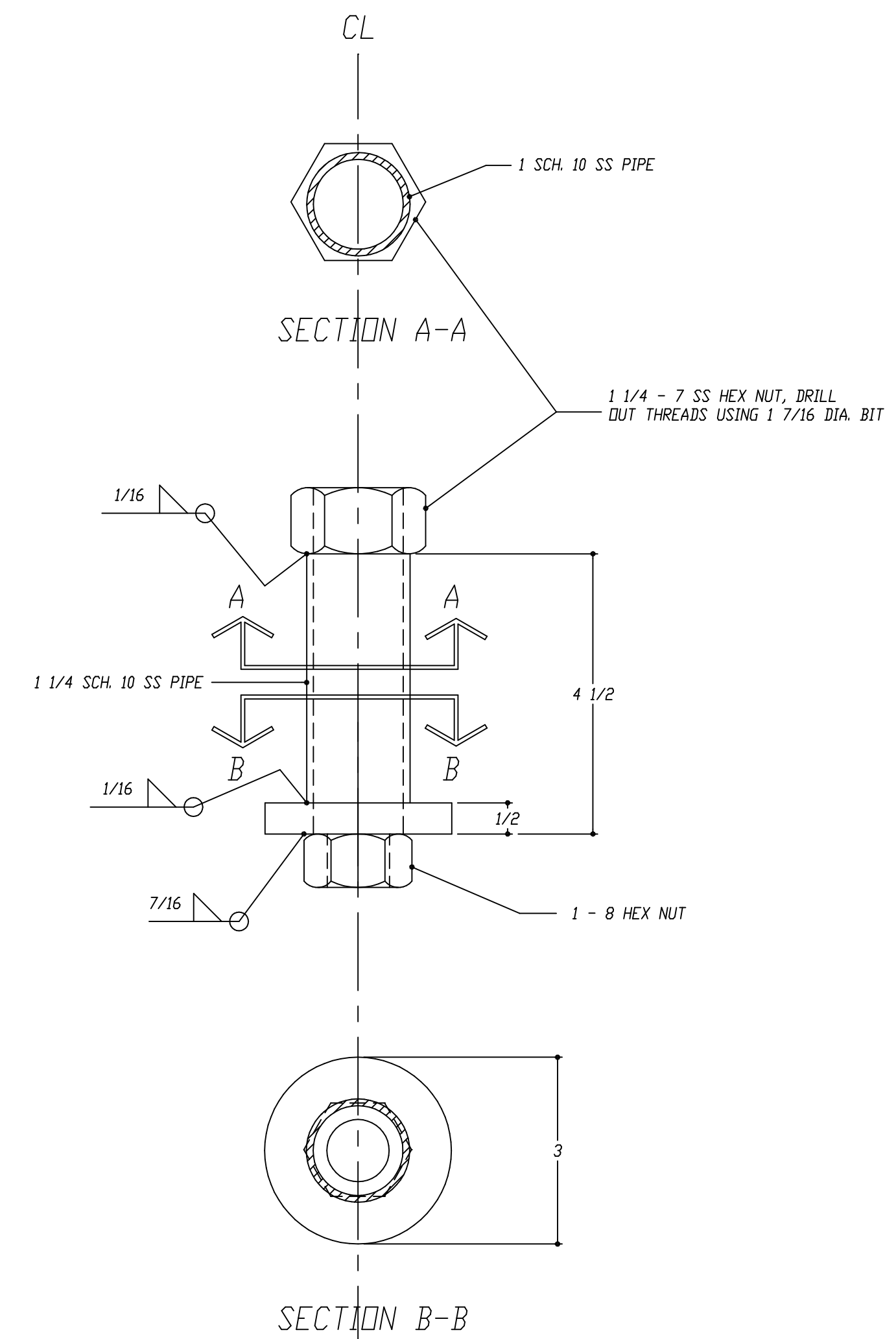
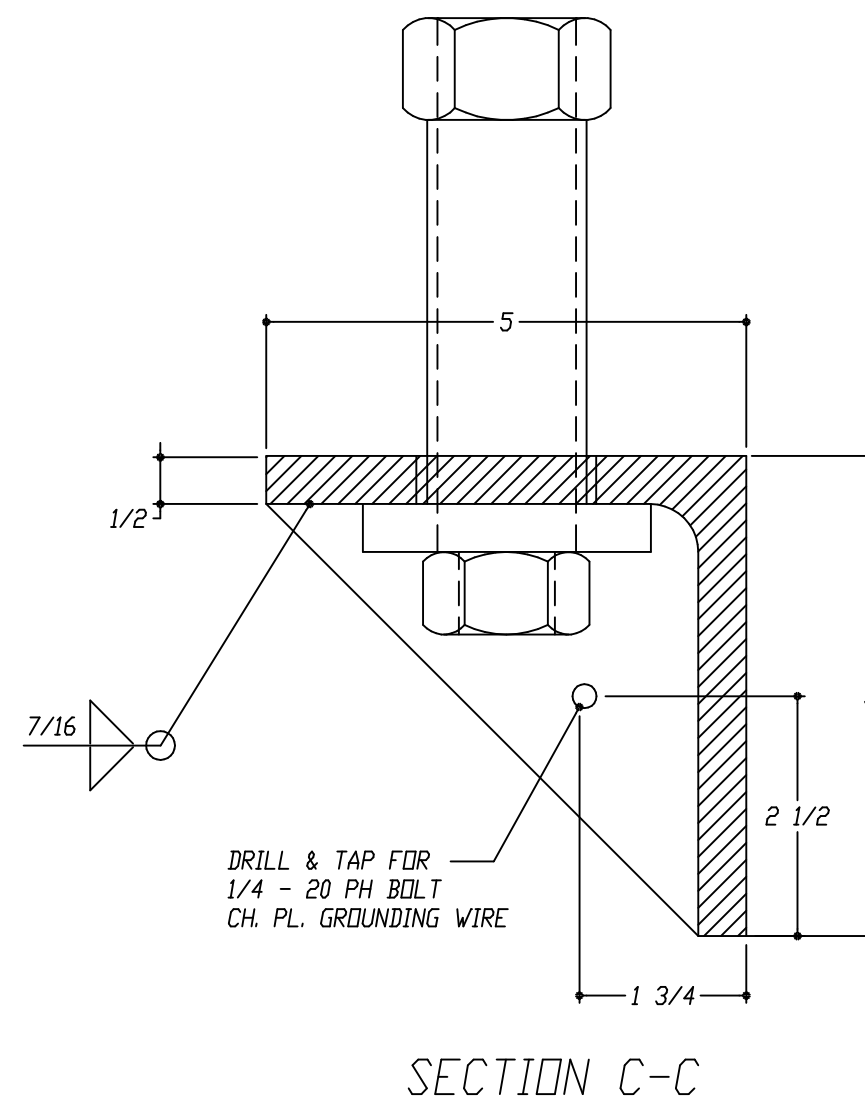
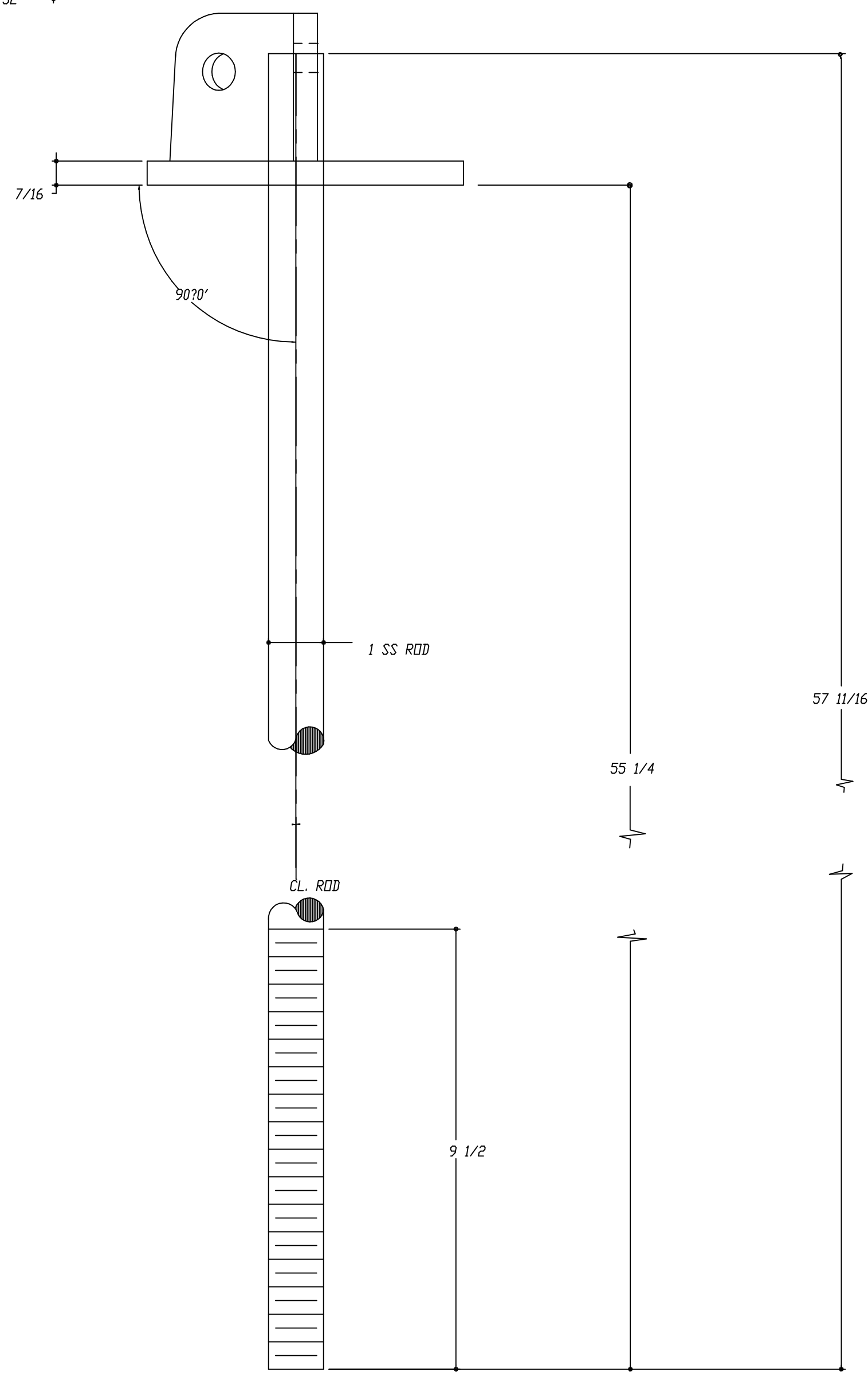


CHAIN PLATES
 HUNTER PART #HW1841
 NOTE, STBD. SIDE SHOWN, PORT SIDE SAME BUT OPPOSITE HAND



CHAIN PLATE ANCHORS & NUTS

HUNTER PART # HW1891

LENGTHENED CHAINPLATE BY 1"
 CHANGED HOLES IN PLATE TO 3/8"
 18 AUG 89 SAM

PROPRIETARY INFORMATION. This document discloses information for which HUNTER MARRS CORP. has proprietary rights.		DO NOT SCALE		HUNTER	
D	CHANGED ROD LEN. 2-4-91	FOLLOWING UNLESS OTHERWISE SPECIFIED	FRAC TIONAL	± 1/32	BRWING TITLE
C	CHANGED THROU LEN. 2-4-91	2 PLACE DECIMAL	±	N/A	H43 CHAINPLATE & ANCHOR
B	CHANGED THROU LEN. 1-20-91	3 PLACE DECIMAL	±	N/A	PAPER SIZE
A	ANCHOR PART NO. L1481/22/24	4 PLACE DECIMAL	±	N/A	D
SPR	REVISIONS	ANGULAR	±	1/2°	BRWING BY
		BREAK ALL SHARP EDGES, DEBURR FINISH		BRIGHT POLISH	DATE
		PLOT SCALE		5=1	8-21-90
		SEE ABOVE			SCALE
		H43-D-2103			6'=1'-0"