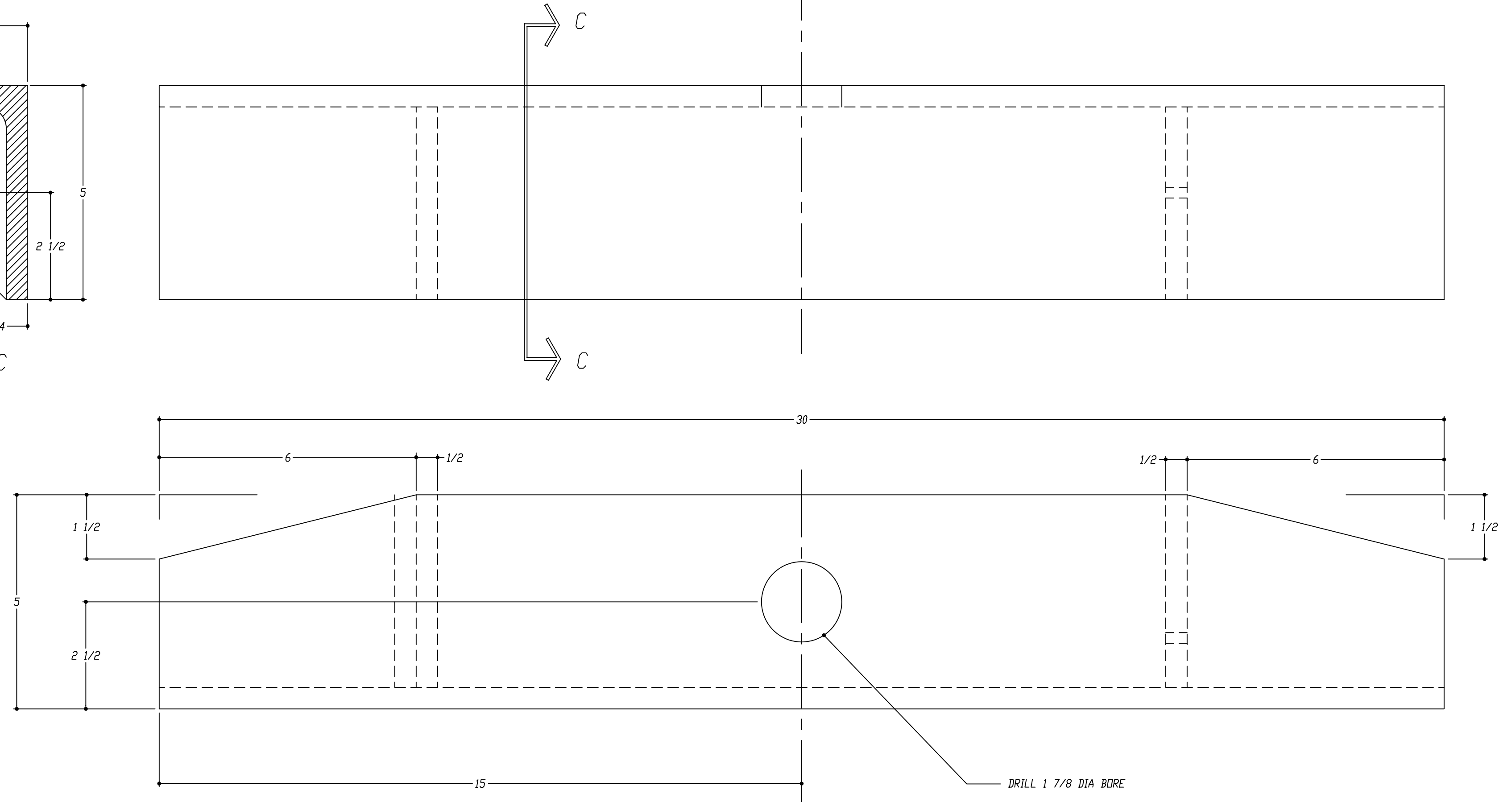
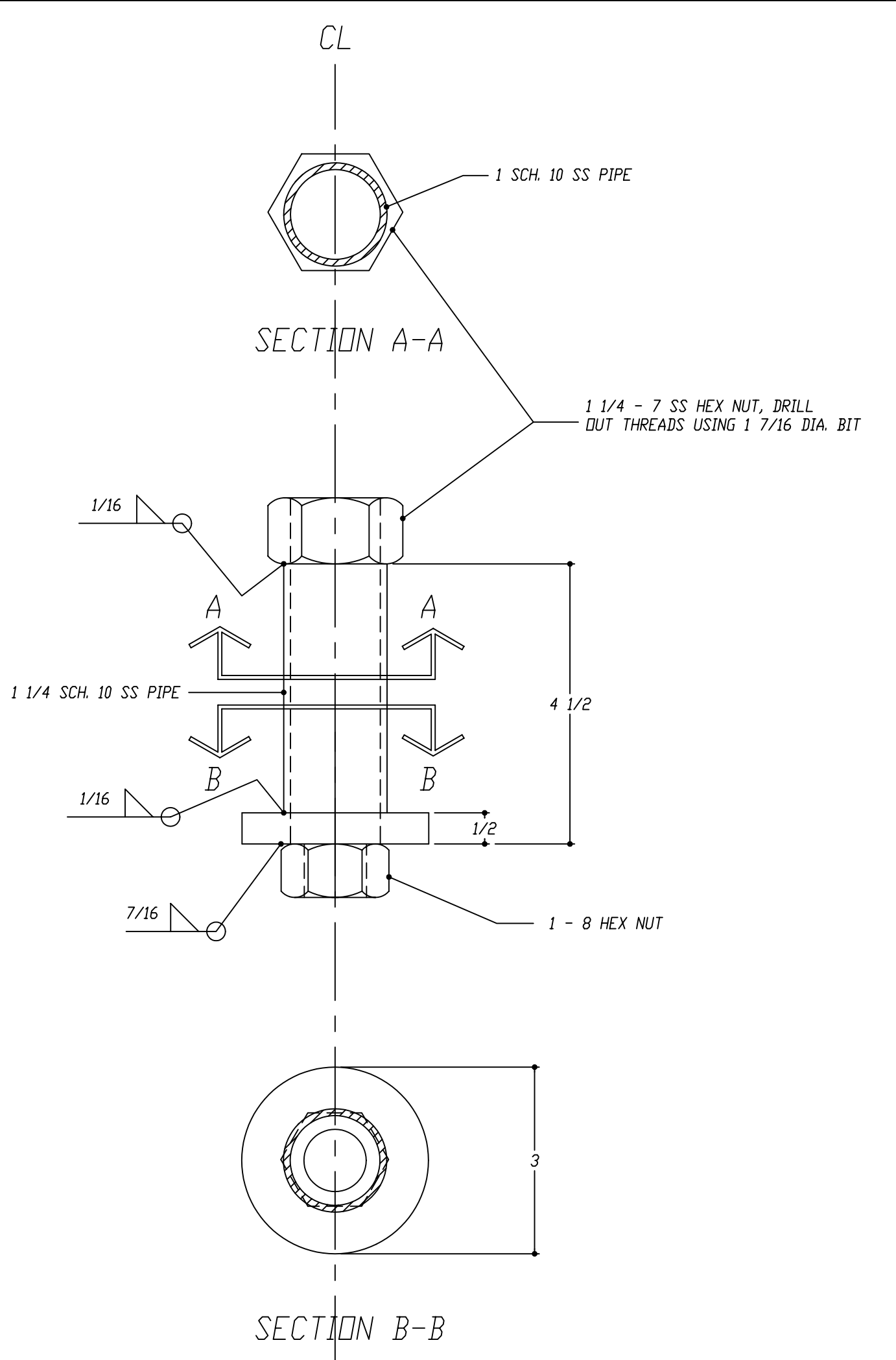
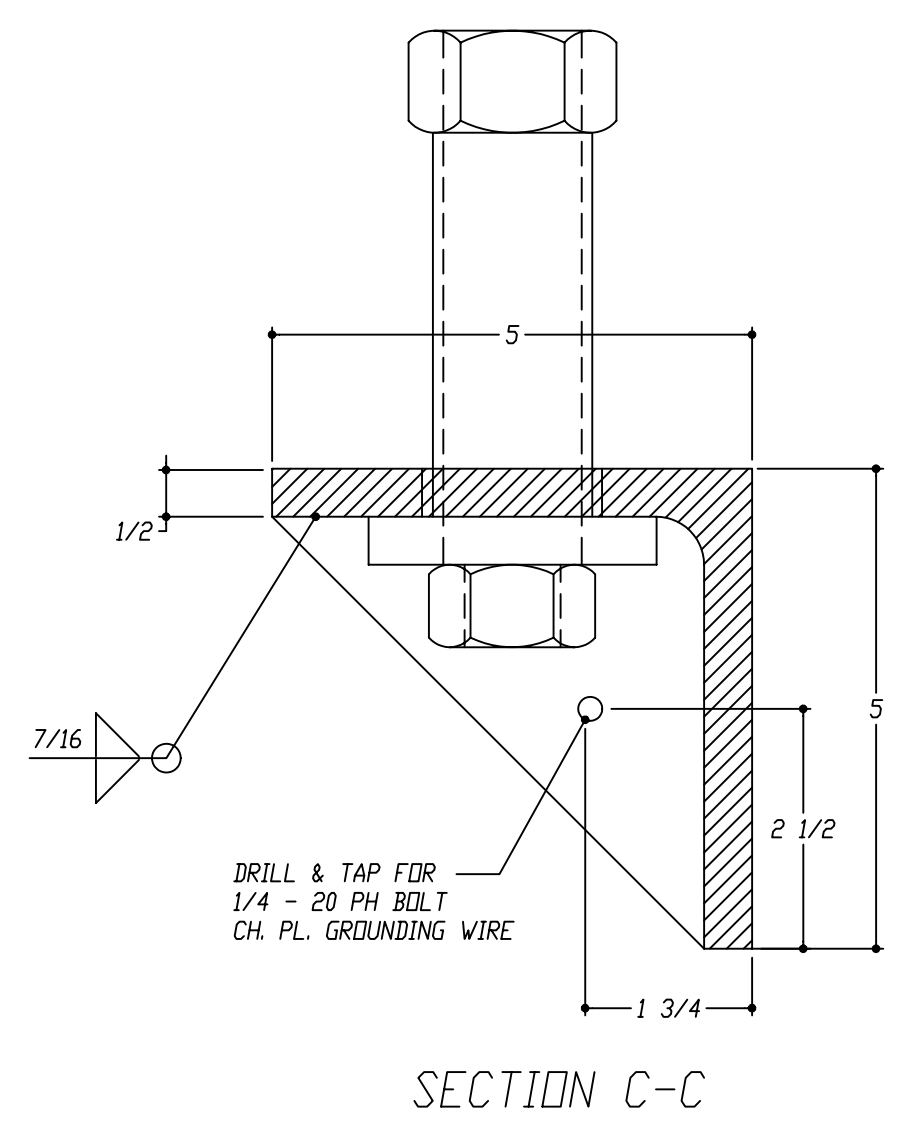
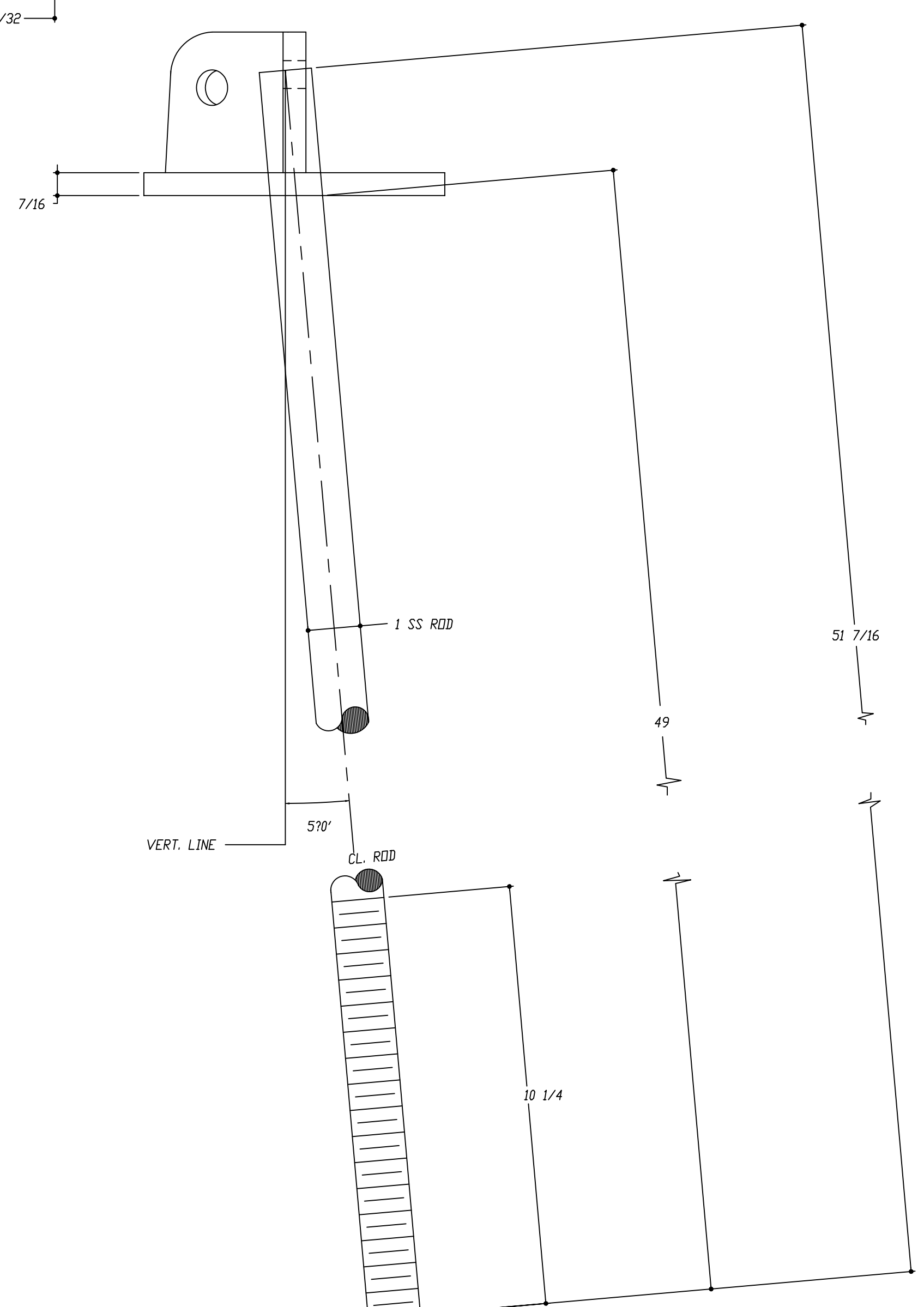


**CHAIN PLATES**  
 HUNTER PART # HW1892  
 NOTE, STBD. SIDE SHOWN, PORT SIDE SAME BUT OPPOSITE HAND



**CHAIN PLATE ANCHORS & NUTS**  
 HUNTER PART # HW1891

LENGTHENED CHAINPLATE BY 1" CHANGED HOLES IN PLATE TO 3/8" 18 AUG 89 SAM

REVISIONS				PROPRIETARY INFORMATION This document discloses information for which HUNTER MARINE CORP. has proprietary rights.			
NO.	DATE	BY	REASON	DO NOT SCALE			
1	10/20/89	HW/89	INITIALS	TOLERANCES UNLESS OTHERWISE SPECIFIED			
2	11/20/89	HW/89	INITIALS	FRACTIONAL ± 1/32			
3	12/10/89	HW/89	INITIALS	2 PLACE DECIMAL ± .005			
4	12/10/89	HW/89	INITIALS	3 PLACE DECIMAL ± .001			
5	12/10/89	HW/89	INITIALS	4 PLACE DECIMAL ± .0005			
6	12/10/89	HW/89	INITIALS	ANGULAR ± 1/2°			
7	12/10/89	HW/89	INITIALS	BREAK ALL SHARP EDGES, REBURR FINISH BRIGHT POLISH			
DRAWING TITLE: H42 CH.PLATES & ANCHORS				PAPER SIZE: D			
DRAWN BY: GENE				DATE: 6-7-89			
SCALE: SEE ABOVE				SCALE: 6"=1'-0"			
HUNTER PART NO. H42-D-2103G				DRAWING NO. H42-D-2103G			