

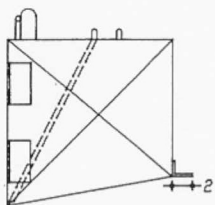
NOTES:

MATERIAL: 5456 AL. OR U.S.C.G. APPROVED PLASTIC
 QUANTITY: 1 PER BOAT
 CAPACITY: 50 9/10 GALLONS
 BAFFLE TO U.S.C.G. REGULATIONS

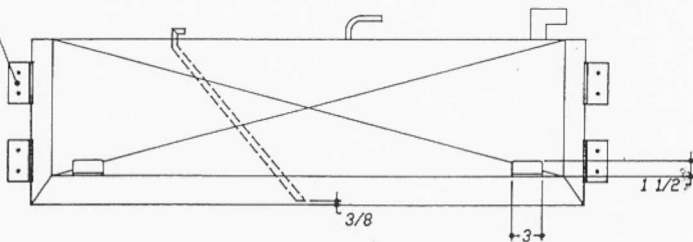
*** FOR FRENCH BOATS:
 USE AL ONLY
 BAFFLE EVERY 16"
 ATHWARTSHIPS

** NOTE ** ALL FITTINGS ARE OFFSET 2" O.C.
 FROM TANK EDGES UNLESS OTHERWISE NOTED.

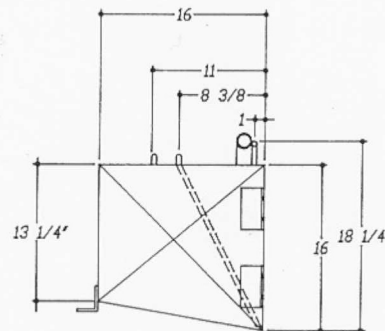
2 X 4 X 1/4 PLATE
 2-1/4" HOLES TYP.
 4 PER TANK



SECTION# PORT SIDE




SECTION# LOOKING FORWARD



SECTION# STARBOARD SIDE

SYMBOL		REVISIONS	DATE
F	AMEND DRAWING TO MEET 008		11-03-90
E	REVISED FILL AND VENT TUBING		04-03-90
D	REVISED VALVES AND BRASS		04-03-90
C	ADDED TANK AND 1" TO HEIGHT		04-03-90
B	ADJUST TANK		04-03-90
A	adjust tank		04-03-90

PROPRIETARY INFORMATION This document discloses information for which HUNTER MARINE CORP. has proprietary rights.			
DO NOT SCALE			
TOLERANCES UNLESS OTHERWISE SPECIFIED			
FRACTIONAL	±	N/A	
2 PLACE DECIMAL	±	N/A	
3 PLACE DECIMAL	±	N/A	
4 PLACE DECIMAL	±	N/A	
ANGULAR	±	N/A	
BREAK ALL SHARP EDGES, BEBURR			
FINISH N/A			

<h1>HUNTER</h1>			
DRAWING TITLE H43 FUEL TANK			
PAPER SIZE B	DRAWN BY BRIAN	DATE 5-22-90	SCALE 1=12
PLOT SCALE .0833=1		HUNTER PART NO. PR-43-09	DRAWING NO. H43-B-1902