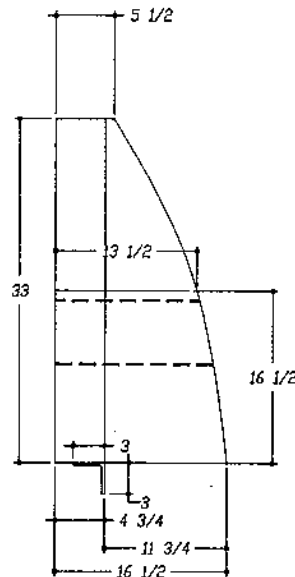
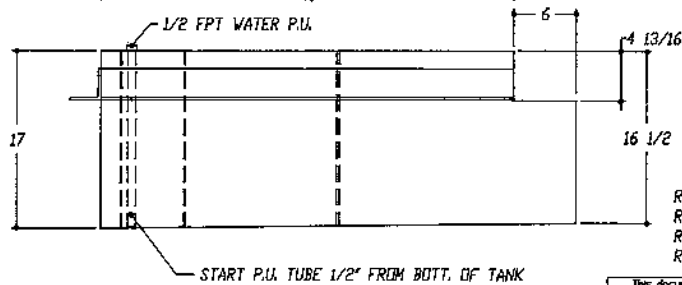
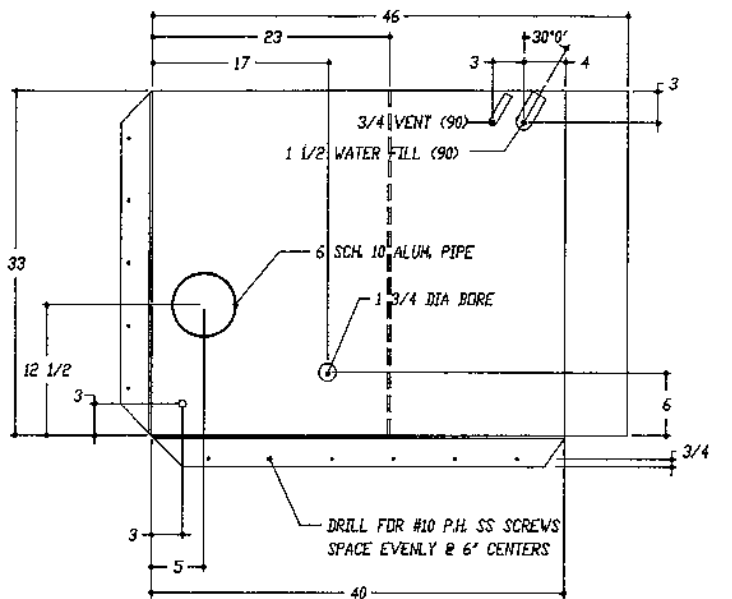


3 X 3 X 3/16 ALUM ANGLE



43B1917

- NOTES:
 1. ONE TANK PER BOAT
 2. CAPACITY, APPROX. 65 GALLONS
 3. MATERIAL, 5052 H32 ALUMINUM
 4. MAKE PROVISIONS FOR SENDER

REV. LOCATE SENDING UNIT CLOSER INB'D 11.9.94 EH
 REV. CORRECT TANK GEOMETRY TO FIT HULL 6/21/94 GENE
 REV. ADDED SENDER LOCATION AND BORE SIZE 6/21/94 GENE
 REV. NOTCH AFT END OF TANK TO FIT WATER HEATER, 4/7/94

This document discloses information for which HUNTER MARINE CORPORATION has proprietary rights.

HUNTER

H43 AFT WATER TANK (74g)

DRAWN BY GENE	DATE 3/7/94	SCALE 1"=1'-0"	DRAWING NUMBER H43B192
------------------	----------------	-------------------	---------------------------