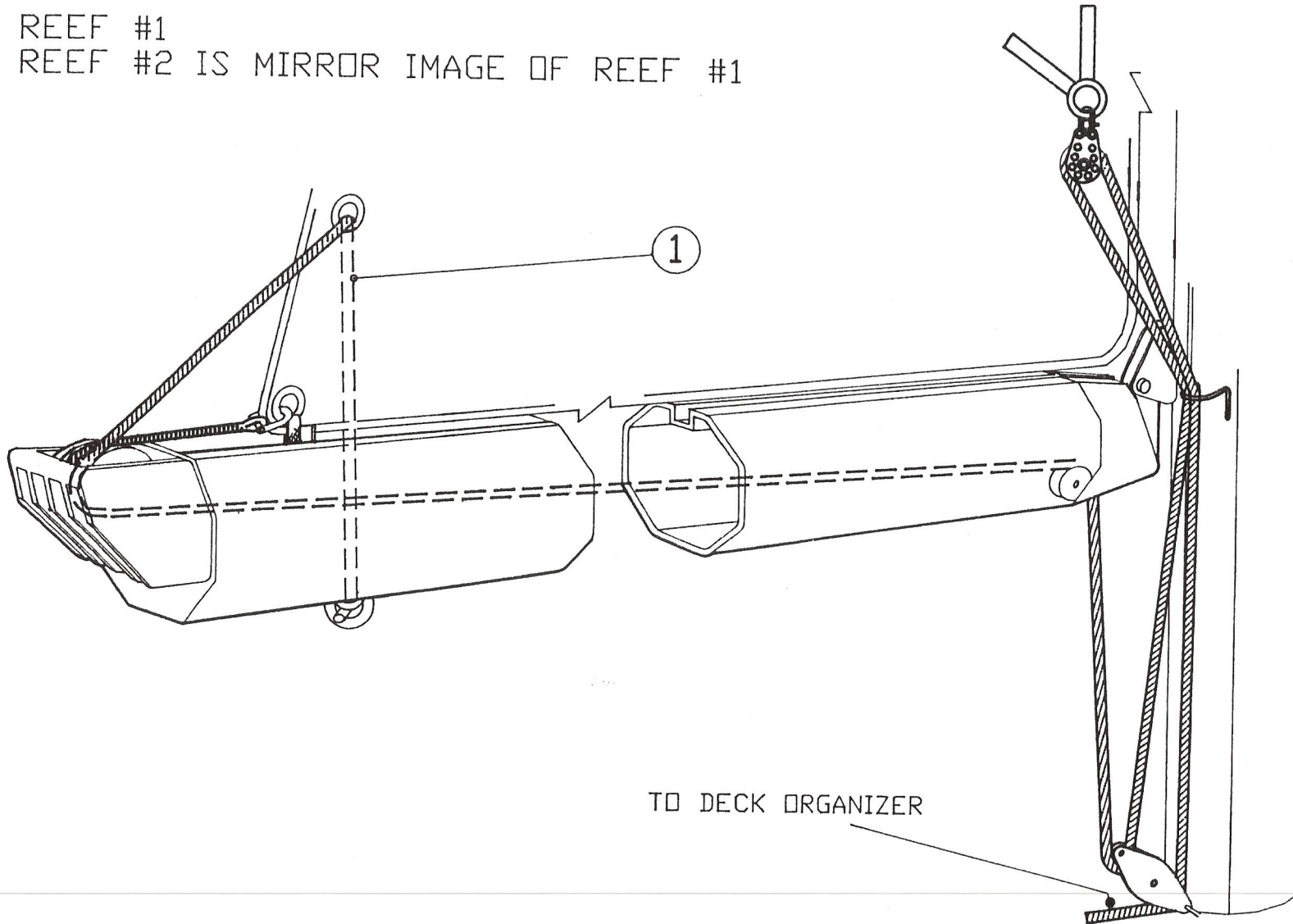


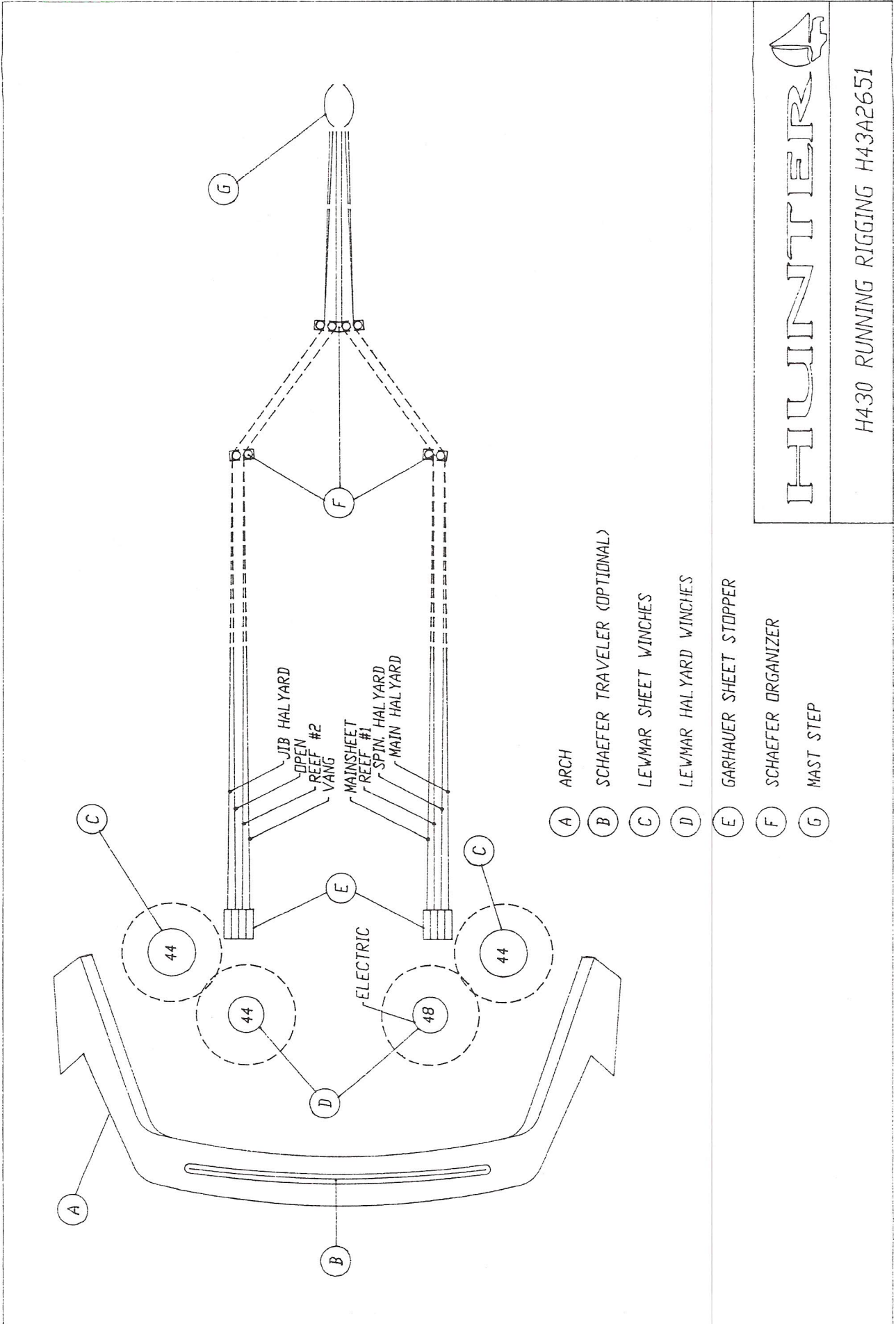
① REEF #1
REEF #2 IS MIRROR IMAGE OF REEF #1



TO DECK ORGANIZER

HUNTER 

BOOM AND REEF LAYOUT
Z-SPAR H43A2665



- (A) ARCH
- (B) SCHAEFER TRAVELER (OPTIONAL)
- (C) LEWMAR SHEET WINCHES
- (D) LEWMAR HALYARD WINCHES
- (E) GARHAUER SHEET STOPPER
- (F) SCHAEFER ORGANIZER
- (G) MAST STEP

HUNTER

H430 RUNNING RIGGING H43A2651

RIGGING SPECIFICATIONS

STANDING RIGGING

<u>Description</u>	<u>Wire Size</u>	<u>Upper End</u>	<u>Lower End*</u>	<u>Overall Length</u>
Upper Upper	3/8	Stemball w/shell	Aircraft Eye	15'-10"
Lower Upper	3/8	Aircraft Eye	12-20-20	36'-3 1/4"
Upper Intern.	5/16	Stemball w/cup	Marine Eye 1/2" pin	17'-2 3/4"
Lower Intern.	5/16	Marine Eye 1/2" pin	10-20-20	19'-9 1/8"
Lower	3/8	Stemball w/cup	12-20-20	20'-5 5/8"
Upper Diamond	1/4	Marine Eye	8-16-16*	16'-10 1/4"
Lower Diamond	1/4	Marine Eye	8-16-16*	19'-0 1/2"
Forestay	3/8	Marine Eye	12-20-20	52'- 2 3/4"
Staysail Stay	9/32	Stemball w/shell	9-16-16	36'- 9 5/8"

All wire is 1x19 stainless steel.

* The three numbers represent the turnbuckle size as follows:

Wire size, body size, pin diameter in 32nd's of an inch.

Example: 12-20-20 is a turnbuckle that accepts a 12/32" wire, has a 3/8" (12/32) thread diameter in the body, and uses a 3/8" (12/32") pin.

RUNNING RIGGING (STANDARD)

<u>Line</u>	<u>Color Code</u>	<u>Size</u>	<u>Attachments</u>	<u>Overall Length</u>
Jib halyard	red	7/16	Snapshackle	122'
Main Halyard	blue	7/16	Headboard shackle	130'
Spinnaker Halyard	black	7/16	Snapshackle	126'
Staysail Halyard	green	7/16	Snapshackle	91'
Jib Sheets	white/red	1/2	BBE**	50'
Mainsheet	white/blue	7/16	Eye splice w/shackle	80'
Spinnaker sheets	white/black	7/16	Snapshackle	80'
Staysail sheets	white/green	7/16	BBE**	45'
Boom Topping Lift	white	3/8	Shackle	112'
Reef #1	green	7/16	BBE**	85'
Reef #2	red	7/16	BBE**	120'
Outhaul	white	3/8	Shackle	22'
Vang(short)	white	1/2	Eye splice w/shackle	10'
Vang (long)	white	3/8	Eye splice	43'
Traveller Control	white	3/8	Eye splice	20'