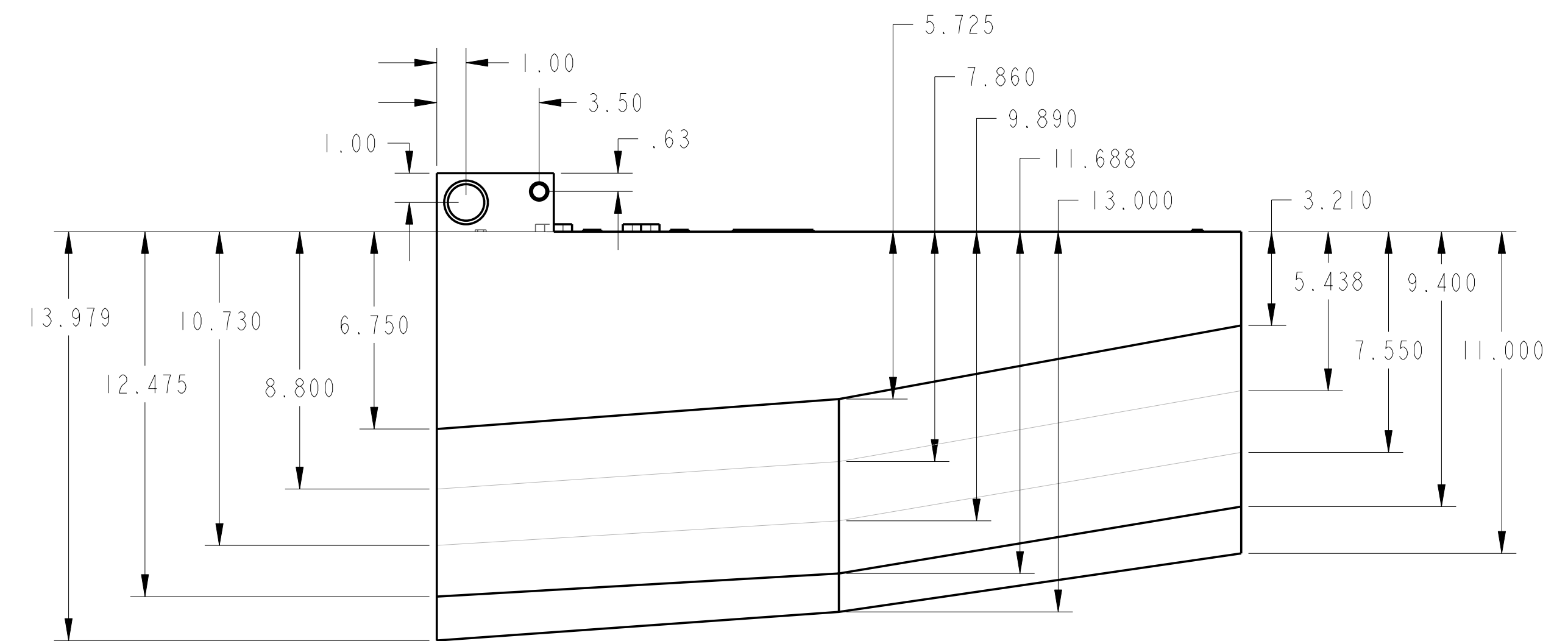
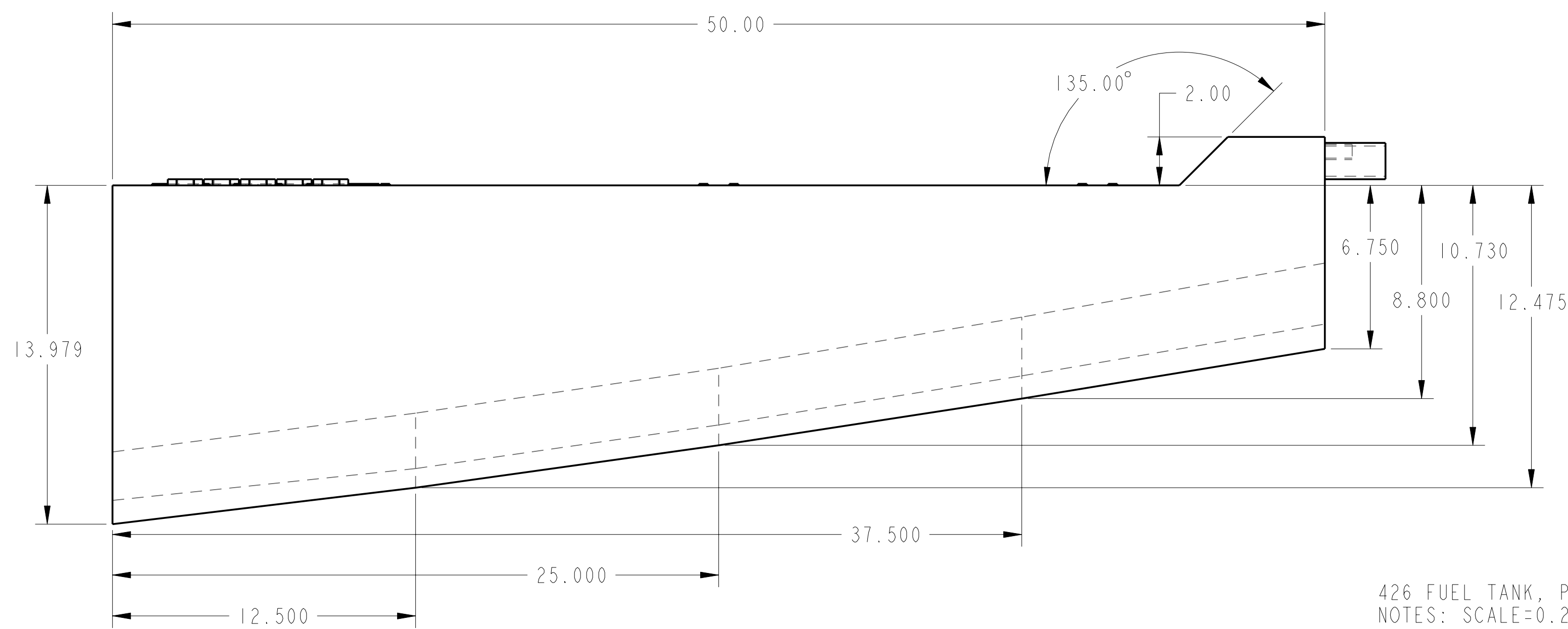
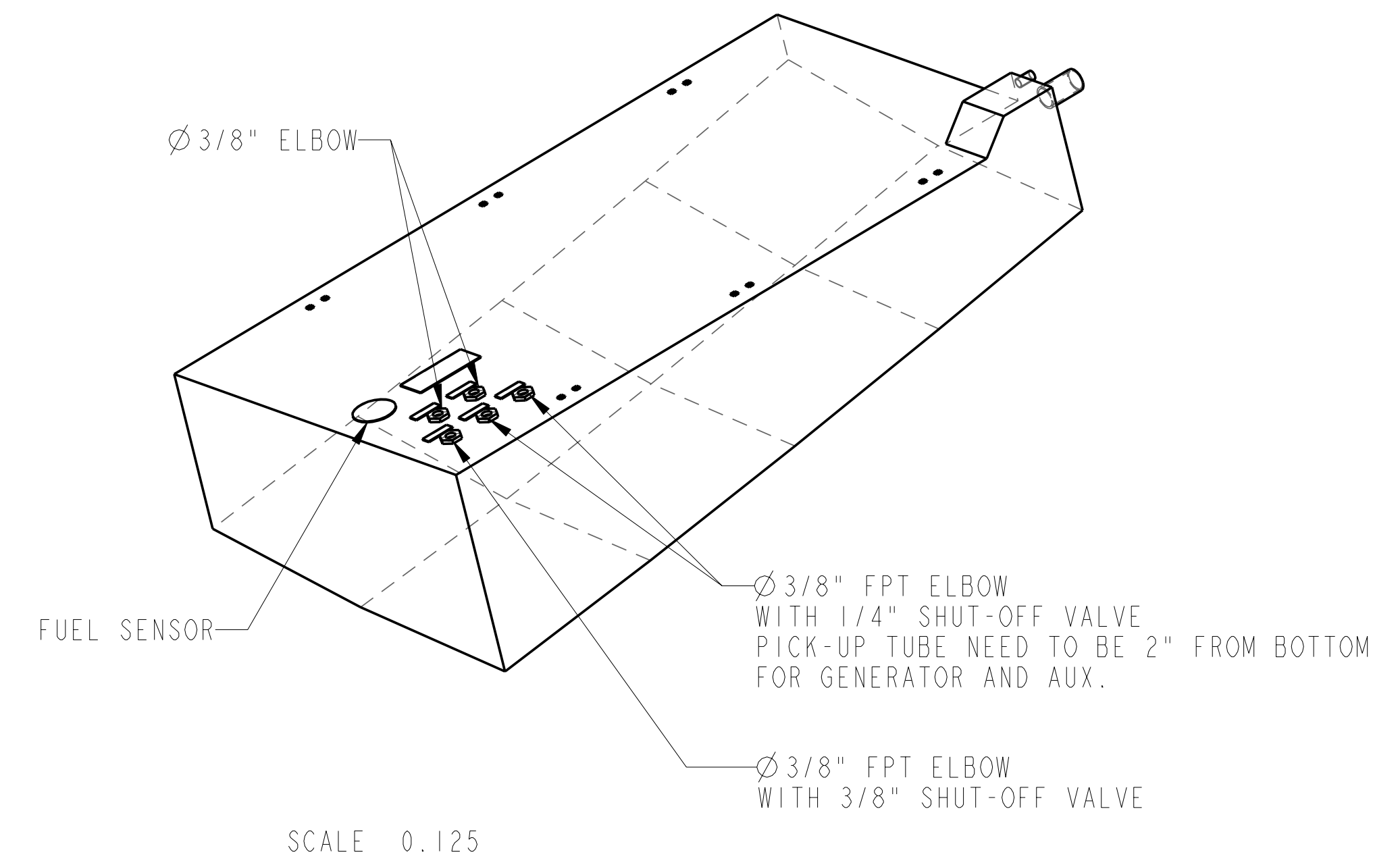
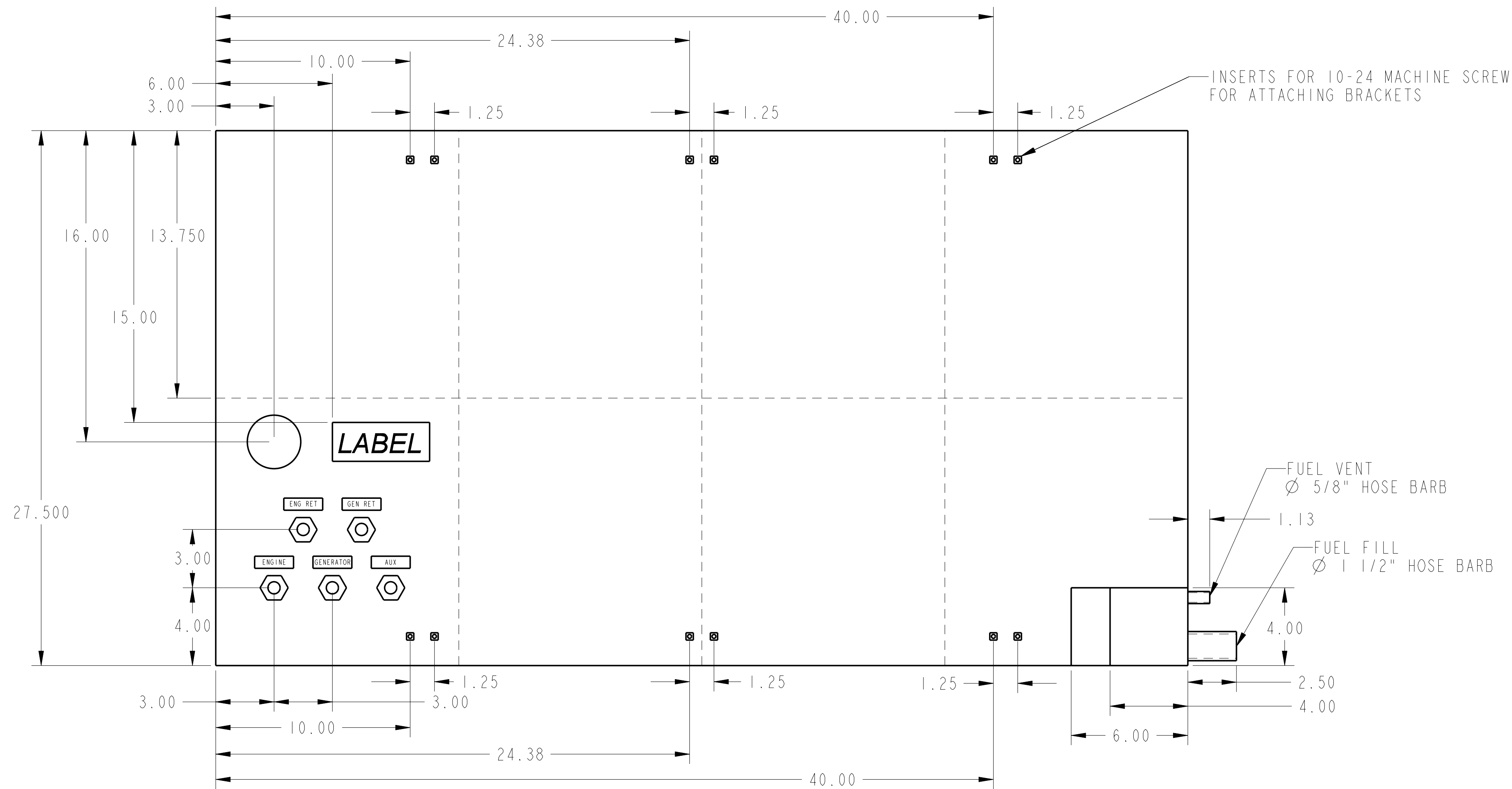


SYMBOL	REVISIONS	DATE	ENG



- 426 FUEL TANK, PLASTIC
 NOTES: SCALE=0.250
 1. MATERIAL: ROTO-MOLDED PLASTIC
 2. ALL DIMENSIONS ARE INCHES AND DEGREES
 3. BREAK AND DEBURR ALL EDGES
 4. TANKS MUST MEET USCG AND ABYC STANDARDS
 5. SUPPLIER TO INSTALL FUEL SENSOR FROM SNAKE RIVER ELECTRONICS
 6. TANK TO INCLUDE SIX L-SHAPED BRACKETS
 7. APPROX. 51 GALLONS

PROPRIETARY INFORMATION: THIS DRAWING CONTAINS INFORMATION FOR WHICH HUNTER MARINE CORPORATION HAS PROPRIETARY RIGHTS

HUNTER 426

DRAWING TITLE: **426 FUEL TANK, PLASTIC**

DRAWN BY: JLK	DATE: 5-Mar-2002	SHEET 1 OF 1
SCALE: 0.250	HUNTER PART NO. TBD	REVISION: - DRAW # 42651001