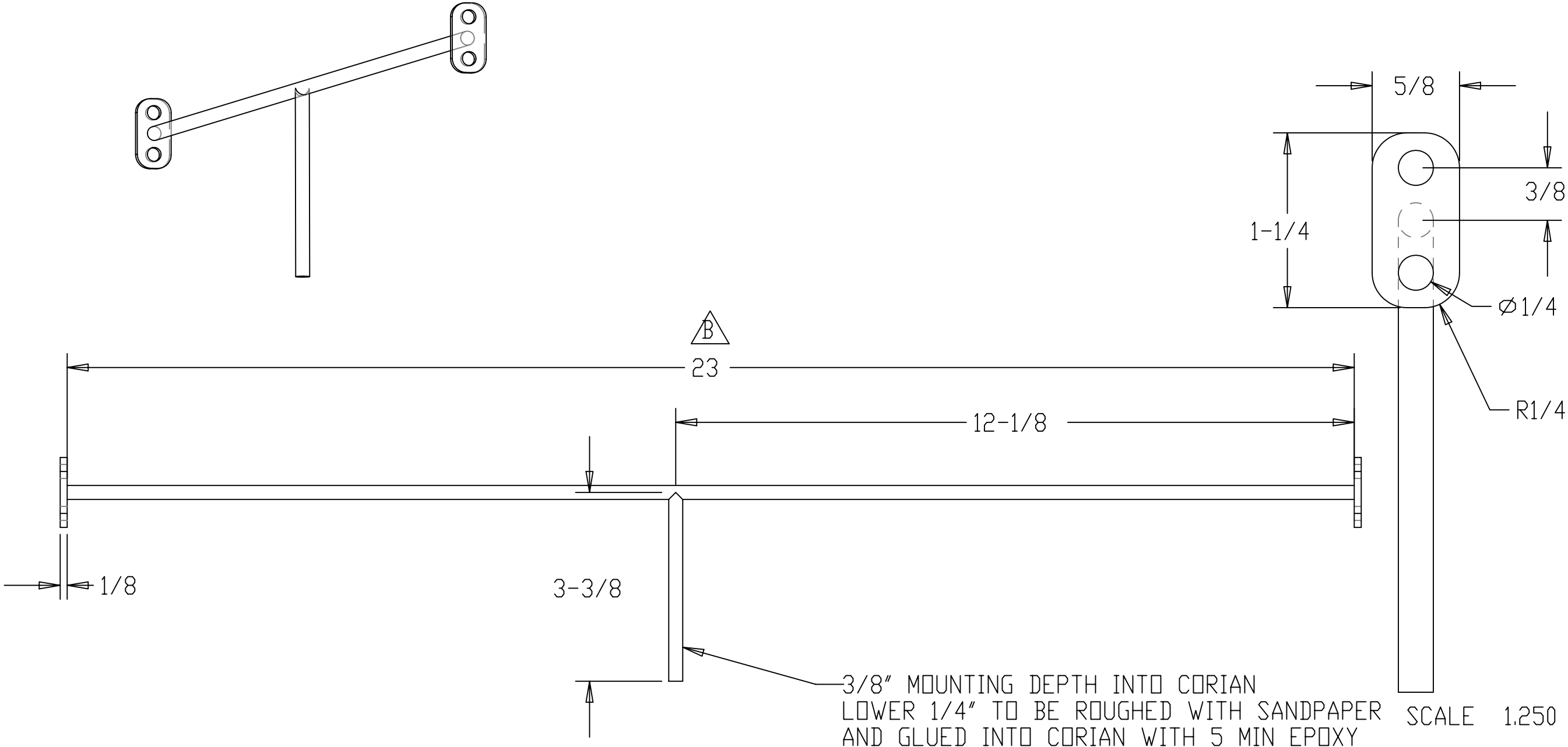


SYMBOL	REVISIONS	DATE	ENG
B	CHANGED FROM 21.75 TO 23"	22-Mar-06	AFF




- NOTES: SHOWER KEEPER ROD
1. MATERIAL: SS ROD 1/4" O.D.
  2. ALL DIMENSIONS ARE INCHES AND DEGREES
  3. ALL WELDS TO MEET AWS STANDARDS
  4. BREAK AND DEBURR ALL EDGES
  5. BRIGHT POLISH AFTER FABRICATION
  6. QUANTITY: 1 PER BOAT

3/8" MOUNTING DEPTH INTO CORIAN  
 LOWER 1/4" TO BE ROUGHED WITH SANDPAPER  
 AND GLUED INTO CORIAN WITH 5 MIN EPOXY

SCALE 1.250

PROPRIETARY INFORMATION: THIS DRAWING CONTAINS INFORMATION FOR WHICH HUNTER MARINE CORPORATION HAS PROPRIETARY RIGHTS.



H U N T E R 426

DRAWING TITLE: SHOWER KEEPER AFT

DRAWN BY: ENGINEER DATE: 23-Jul-02 SHEET 1 OF 1

SCALE: 0.500 HUNTER PART NO. PART NUMBER REVISION REV DRAW # 42648014

CHECKED