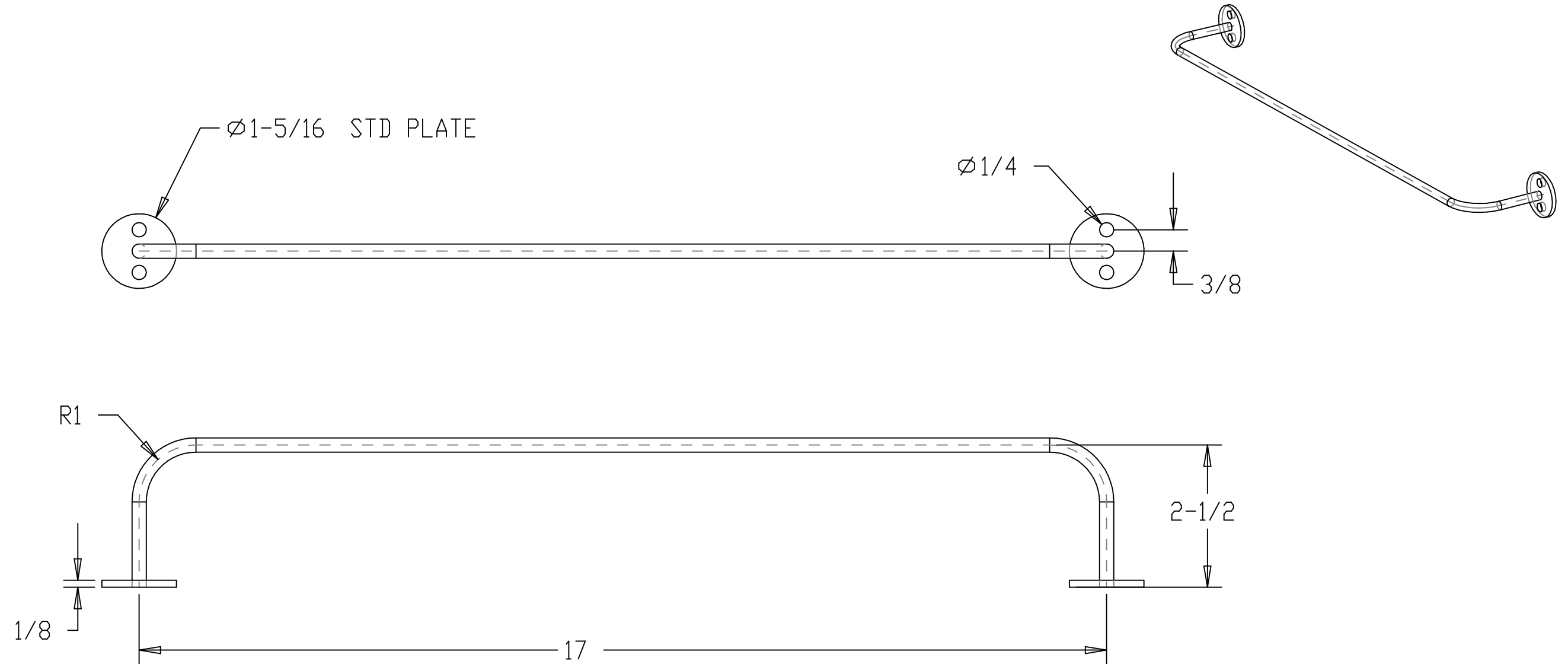



SYMBOL	REVISIONS	DATE	ENG



- NOTES: TOWEL ROD
1. MATERIAL: SS ROD .25" OD
 2. ALL DIMENSIONS ARE INCHES AND DEGREES
 3. ALL WELDS TO MEET AWS STANDARDS
 4. BREAK AND DEBURR ALL EDGES
 5. BRIGHT POLISH AFTER FABRICATION
 6. QUANTITY: 2 PER BOAT
 7. PRO/E FILE: 426_TOWEL_ROD

PROPRIETARY INFORMATION: THIS DRAWING CONTAINS INFORMATION FOR WHICH HUNTER MARINE CORPORATION HAS PROPRIETARY RIGHTS.



H U N T E R 426

DRAWING TITLE: TOWEL ROD 17"

DRAWN BY: JTM DATE: 23-Jul-02 SHEET 1 OF 1

SCALE: 0.500 HUNTER PART NO. REVISION DRAW # 42648013

CHECKED: