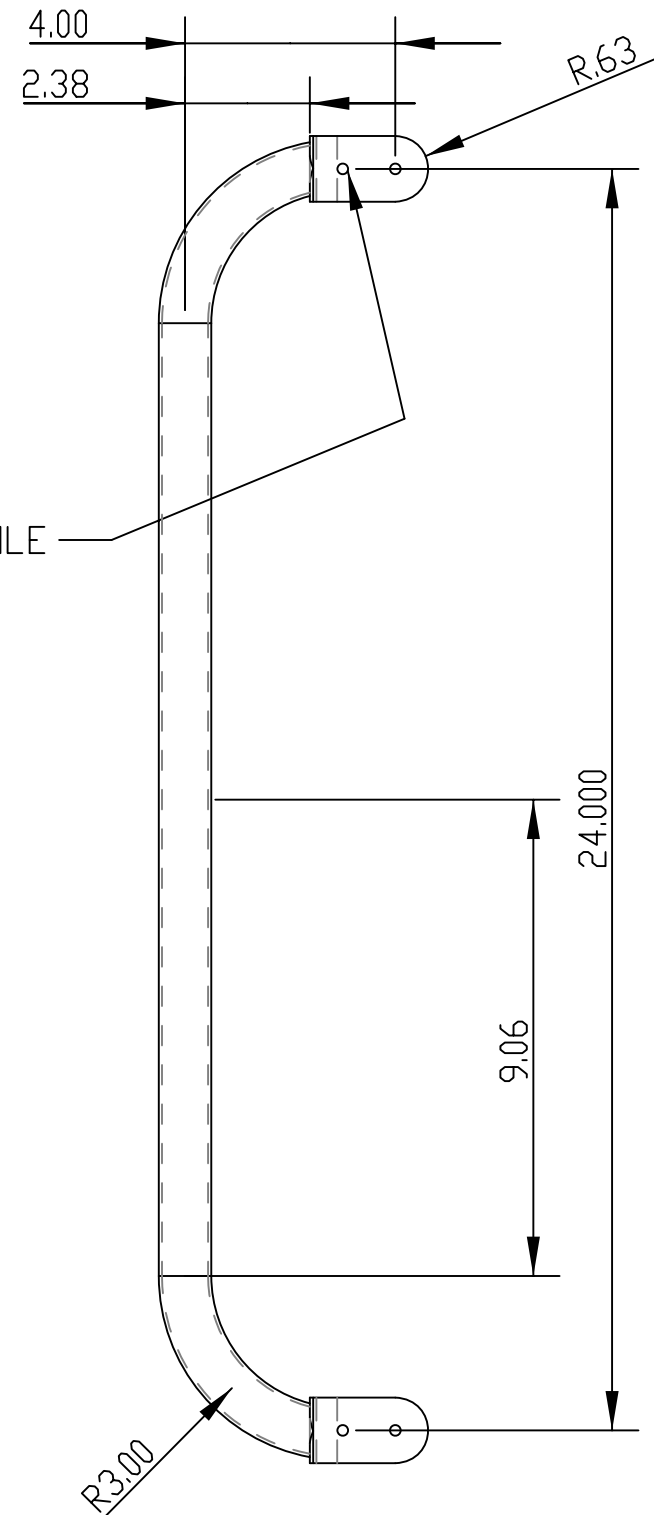
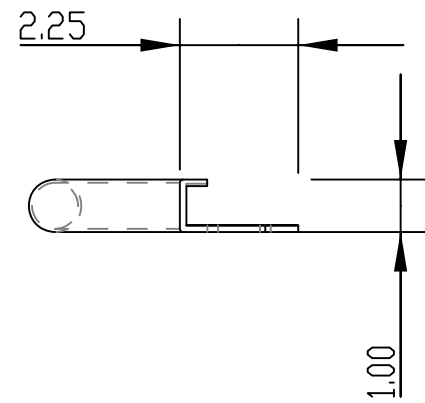
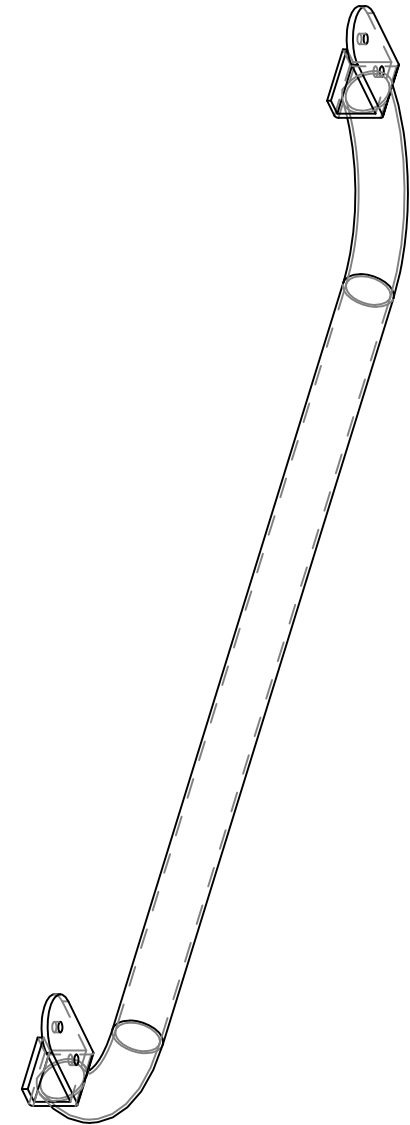


SYMBOL	REVISIONS	DATE	ENG
A	RAIL REDESIGNED PROFILE	5-20-02	JTM
B	RAIL REDESIGNED PROFILE	6-29-02	ESA




4X Ø13/64 HOLE

- NOTES: COMPANIONWAY HANDRAIL
1. MATERIAL: 304 SS 1" TUBING 0.065" THICKNESS
  2. ALL DIMENSIONS ARE INCHES AND DEGREES
  3. QUANTITY: 2 PER BOAT
  4. ALL WELDS TO MEET AWS STANDARDS
  5. BREAK AND DEBURR ALL EDGES
  6. BRIGHT POLISH AFTER FABRICATION



FASTENERS: 10/24 STAINLESS BLIND NUTS  
WITH 10/24 STAINLESS TRUSS HEAD BOLT  
QUANTITY: 8 FASTENERS PER BOAT (4 PER PART)

PROPRIETARY INFORMATION: THIS DRAWING CONTAINS INFORMATION FOR WHICH HUNTER MARINE CORPORATION HAS PROPRIETARY RIGHTS.



H U N T E R 426

DRAWING TITLE:  
COMPANIONWAY HANDRAIL

DRAWN BY: JTM	DATE: 20-May-02	SHEET 1	OF 1
SCALE: 0.250	HUNTER PART NO.	REVISION B	DRAW # 42648002

CHECKED: