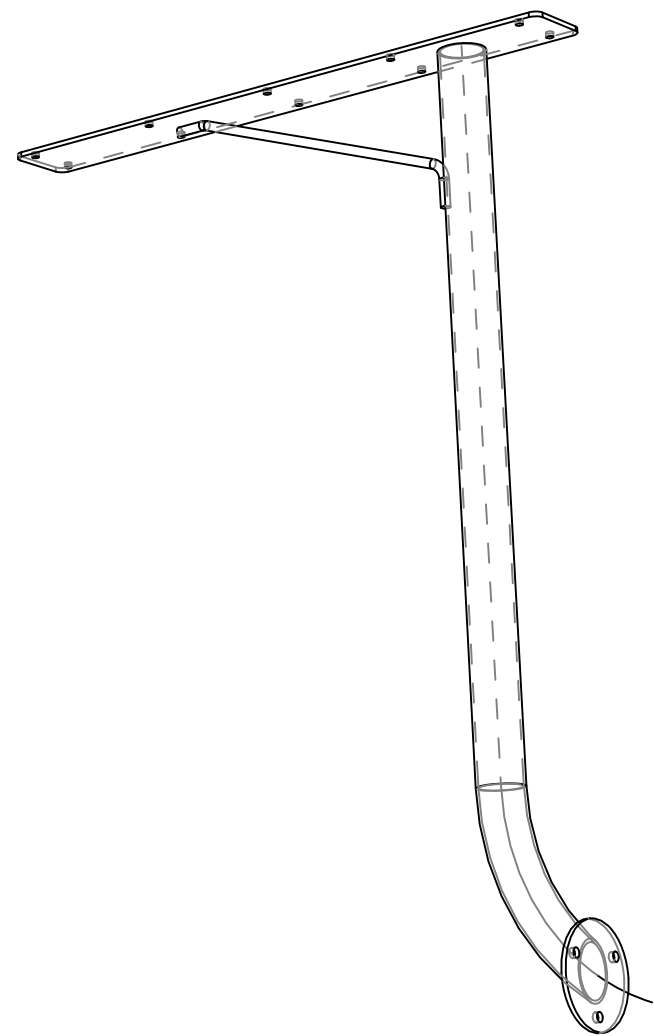
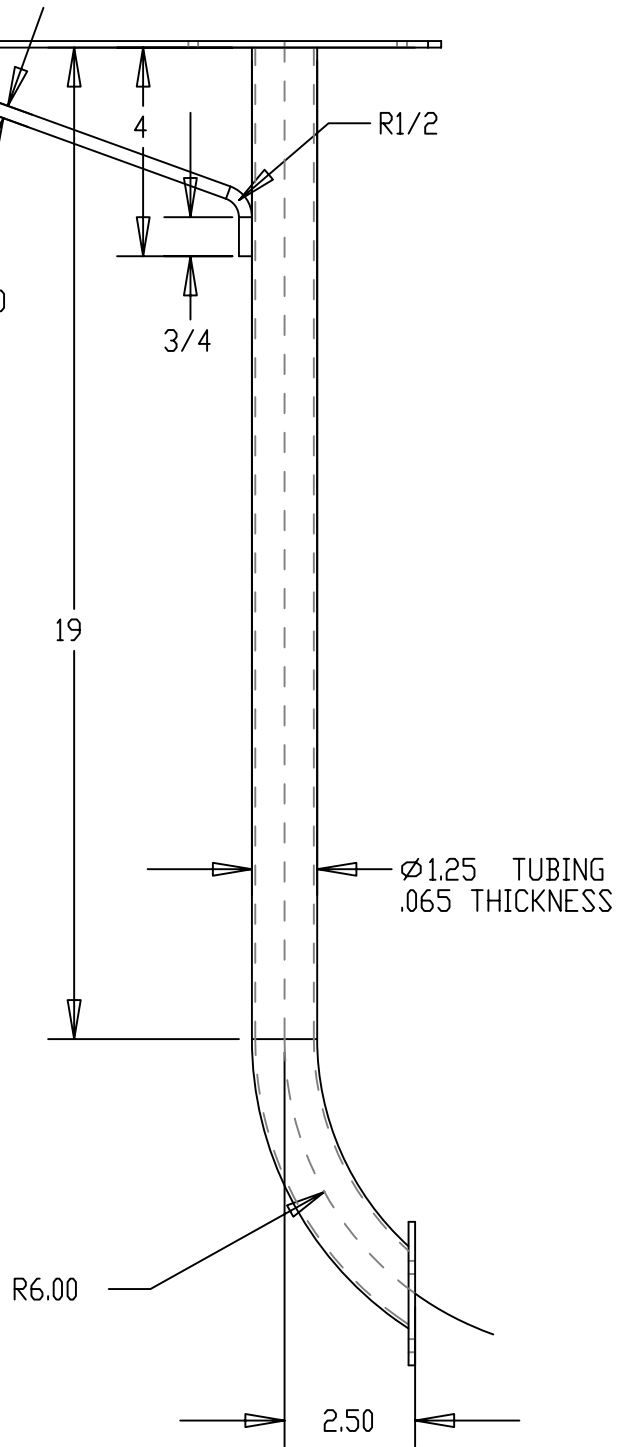
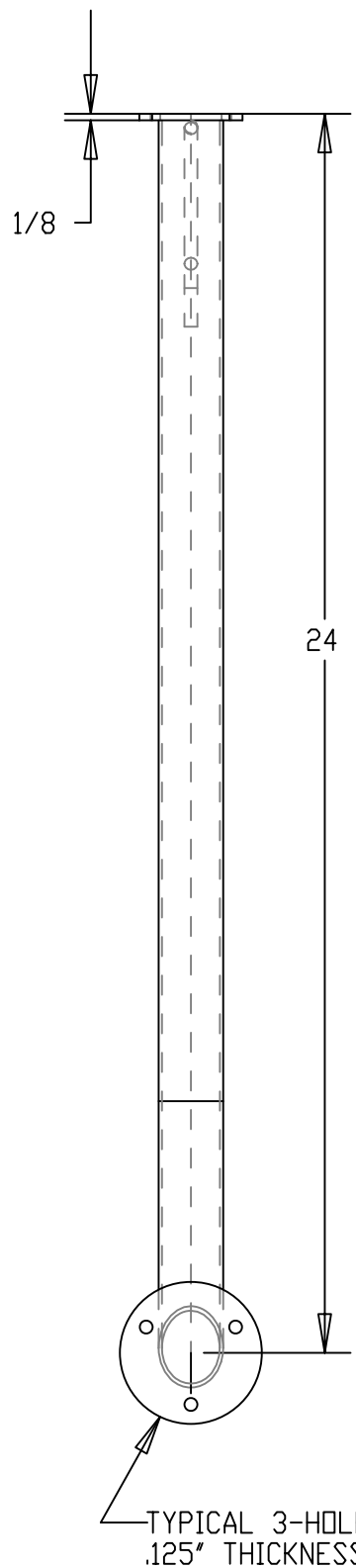
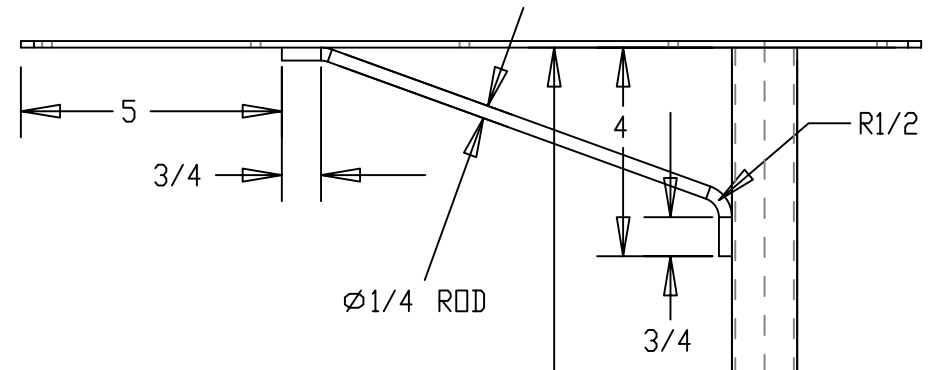
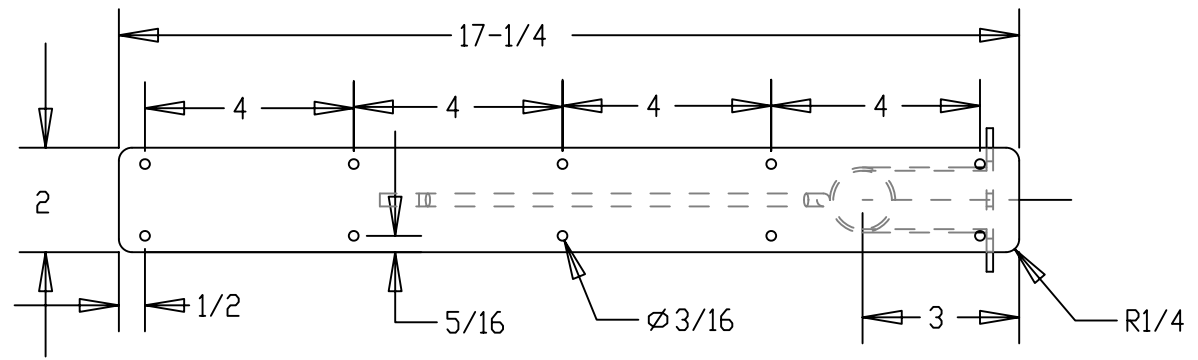



SYMBOL	REVISIONS	DATE	ENG
A	REDESIGN OF UPPER MOUNT	8/07/02	JTM



- NOTES: NAV TABLE SUPPORT
1. MATERIAL: RAILS: 304 SS 1.25" TUBING .065" THICK  
MNT PADS: 304 SS .125" THICK  
ROD: 304 SS .25"
  2. ALL DIMENSIONS ARE INCHES AND DEGREES
  3. ALL WELDS TO MEET AWS STANDARDS
  4. BREAK AND DEBURR ALL EDGES
  5. BRIGHT POLISH AFTER FABRICATION
  6. QUANTITY: 1 PER BOAT
  7. PRO/E FILE: 426\_NAV\_TABLE\_SUPPORT

PROPRIETARY INFORMATION: THIS DRAWING CONTAINS INFORMATION FOR WHICH HUNTER MARINE CORPORATION HAS PROPRIETARY RIGHTS.



H U N T E R 426

DRAWING TITLE:  
NAV TABLE SUPPORT LEG

DRAWN BY: JTM	DATE: 10-Jun-02	SHEET 1	OF 1
SCALE: 0.250	HUNTER PART NO.	REVISION	DRAW # 42648006

CHECKED: