

***44***

***SCHEMATICS***

***12/1/2005***

# ***INDEX***

## ***PAGE***

3. *DC Panel Schematic*
4. *DC Panel to Junction box wire list*
5. *Junction Box Schematic*
6. *Junction Box Tree Schematic*
7. *AC Panel Schematic part 1, (for vendor)*
8. *AC Panel Schematic part 2*
9. *Isolation Transformers – 2 pages*
11. *Battery Panel Face Layout*
12. *Battery Panel Schematic, (for vendor)*
13. *Battery Panel Schematic, 120VAC boats*
14. *Battery Panel Schematic, 230VAC boats.*
15. *Cut sheet for AC wires in module stage*
16. *Cut sheet for DC cables – Stage 24A, 26 and 56*
18. *Cut sheet for Options*
20. *Hull harness wire list*
25. *Deck harness wire list*
29. *Hull harness schematics*
32. *Deck harness schematics*
37. *Engine Panel Wiring Schematic*
38. *Automatic Fire Extinguisher Schematic*
39. *High water pump Schematic*

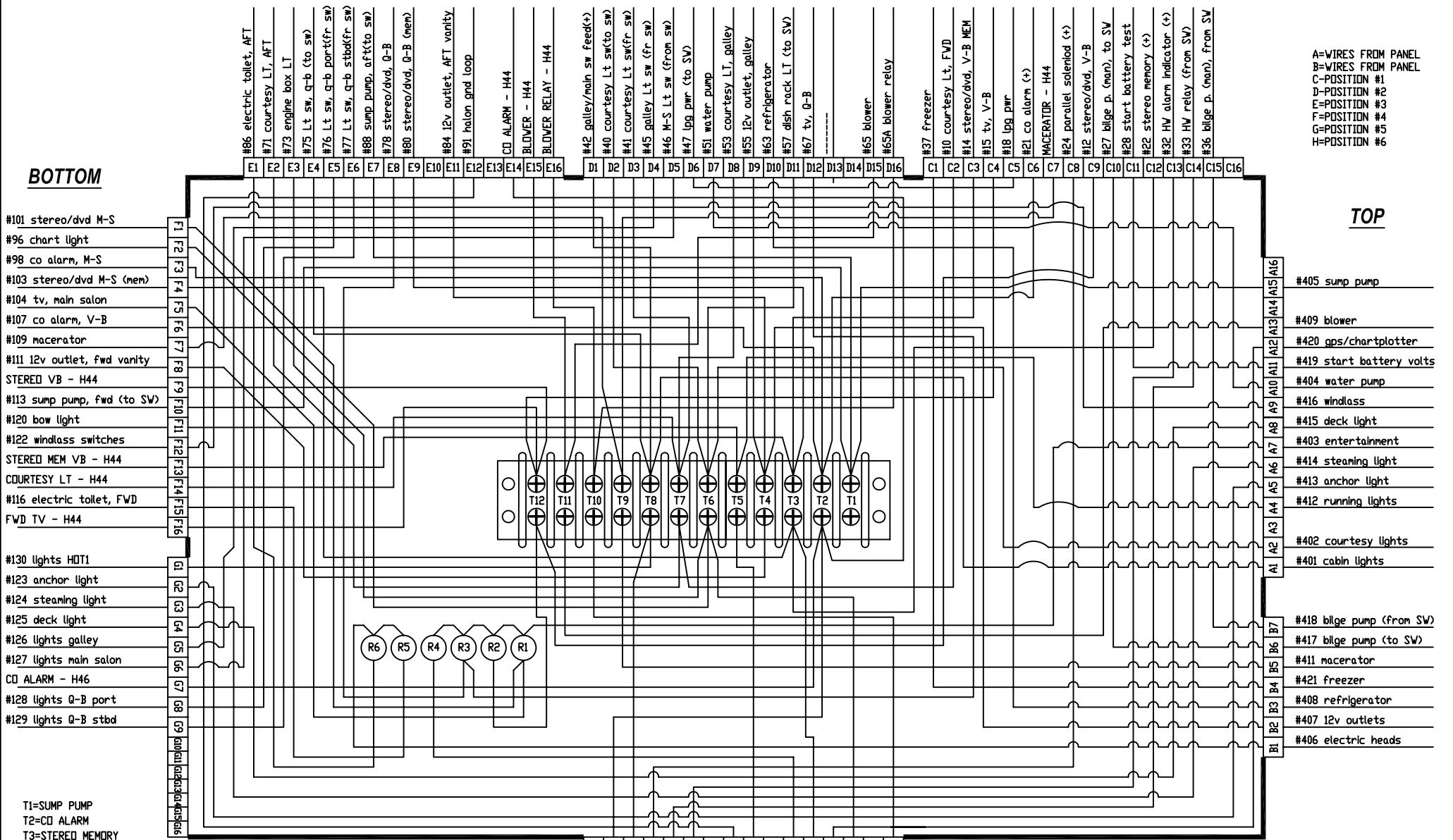


**41 PANEL TO JUNCTION BOX WIRE LIST**

<b>WIRE#</b>	<b>GAUGE</b>	<b>COLOR</b>	<b>FEET</b>	<b>DESCRIPTION</b>	<b>NOTES:</b>	<b>INCHES</b>
401	10ga	Blue	3	CABIN LIGHTS	Length measured from bottom left corner.	36
402	14ga	Blue/White	3	COURTESY LIGHTS		36
403	10ga	Red/Yellow	3	ENTERTAINMENT		36
404	12ga	Brown	3	WATER PUMP		36
405	10ga	Brown/Yellow	3	SUMP PUMP		36
406	10ga	Brown/Pink	3	ELECTRIC HEADS		36
407	12ga	Red	3	12VDC OUTLETS		36
408	10ga	Red/Black	3	REFRIGERATION		36
409	12ga	Brown/Blue	3	BLOWER		36
410	14ga	White	3	FAN		36
411	10ga	Brown/White	3	MACERATOR		36
412	14ga	Grey/White	3	RUNNING LIGHTS		36
413	16ga	Grey/Red	3	ANCHOR LIGHT		36
414	16ga	Grey/Green	3	STEAMING LIGHT		36
415	16ga	Grey	3	DECK LIGHT		36
416	16ga	Tan	3	WINDLASS		36
417	12ga	Brown/Red	3	BILGE PUMP (TO SW)		36
418	12ga	Brown/Red	3	BILGE PUMP (FROM SW)		36
419	16ga	Red	3	START BATTERY VOLTS		36
420	14ga	Red/Black	3	GPS/CHARTPLOTTER		36
421	10ga	Red/White	3	FREEZER		36
428	4ga	Orange/Red	8	PANEL FEED - POWER	1/4" EYES	
429	6ga	Yellow	3.5	PANEL FEED - NEG	1/4" EYES	

**BOTTOM**

**TOP**



A=WIRES FROM PANEL  
 B=WIRES FROM PANEL  
 C=POSITION #1  
 D=POSITION #2  
 E=POSITION #3  
 F=POSITION #4  
 G=POSITION #5  
 H=POSITION #6

- #101 stereo/dvd M-S
- #96 chart light
- #98 co alarm, M-S
- #103 stereo/dvd M-S (mem)
- #104 tv, main salon
- #107 co alarm, V-B
- #109 macerator
- #111 12v outlet, fwd vanity
- STEREO VB - H44
- #113 sump pump, fwd (to SW)
- #120 bow light
- #122 windlass switches
- STEREO MEM VB - H44
- COURTESY LT - H44
- #116 electric toilet, FWD
- FWD TV - H44
- #130 lights HD1
- #123 anchor light
- #124 steaming light
- #125 deck light
- #126 lights galley
- #127 lights main salon
- CO ALARM - H46
- #128 lights Q-B port
- #129 lights Q-B stbd

- #405 sump pump
- #409 blower
- #420 gps/chartplotter
- #419 start battery volts
- #404 water pump
- #416 windlass
- #415 deck light
- #403 entertainment
- #414 steaming light
- #413 anchor light
- #412 running lights
- #402 courtesy lights
- #401 cabin lights
- #418 bilge pump (from SW)
- #417 bilge pump (to SW)
- #411 macerator
- #421 freezer
- #408 refrigerator
- #407 12v outlets
- #406 electric heads


- T1=SUMP PUMP
- T2=CO ALARM
- T3=STEREO MEMORY
- T4=12V OUTLETS
- T5=RUNNING LIGHTS
- T6=COURTESY LT PWR
- T7=FLOOR COURTESY LTS
- T8=CABIN LIGHTS
- T9=MACERATOR
- T10=BLOWER RELAY
- T11=BLOWER
- T12=V-B ENTERTAINMENT

- R1=20amp RESET, Main Entertainment
- R2=15amp RESET, V-B Entertainment
- R3=15amp RESET, Q-B Entertainment
- R4=10amp RESET, Cockpit Stereo
- R5=20amp RESET, Fwd Toilet
- R6=20amp RESET, Aft Toilet

**RIGHT**

- #201 co alarm, Q-B
- #203 lights, stbd aft
- #205 parallel solenoid
- #206 HV relay
- #207 HV alarm Ind.
- #209 halon gas loop
- #210 stern light
- #212 stereo, cockpit
- #214 stereo, cockpit (mem)
- #215 gps/chartplotter
- #223 arch light
- #209A blower relay

PROPRIETARY INFORMATION THIS DRAWING CONTAINS INFORMATION FOR WHICH HUNTER MARINE CORPORATION HAS PROPRIETARY RIGHTS



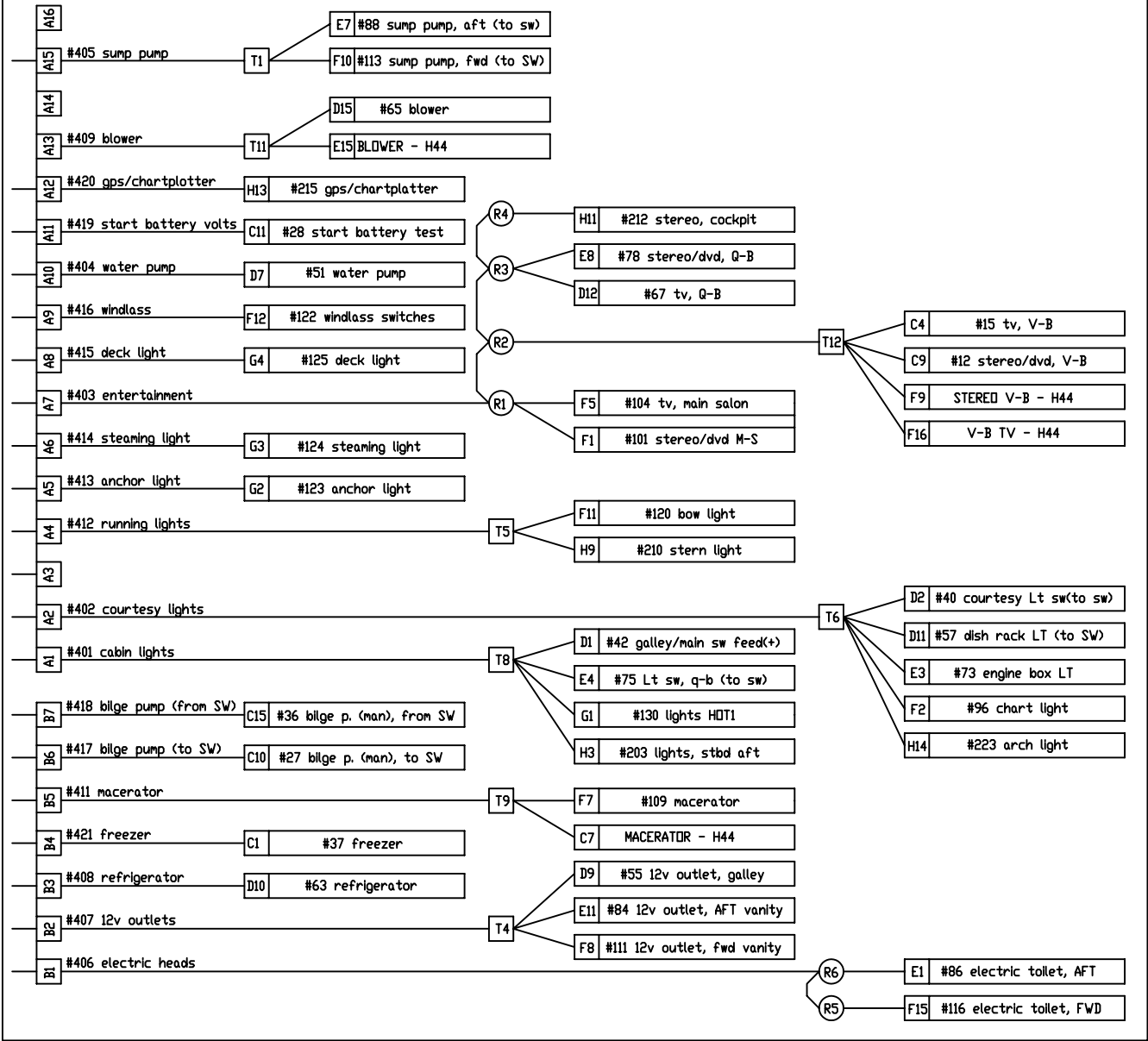
HUNTER 41

DRAWING TITLE:  
**ELECTRICAL JUNCTION BOX**

DRAWN BY: JLK	DATE: 7/2/2004	SHEET	OF
SCALE:	HUNTER PART NO.	REVISION	DRAW #

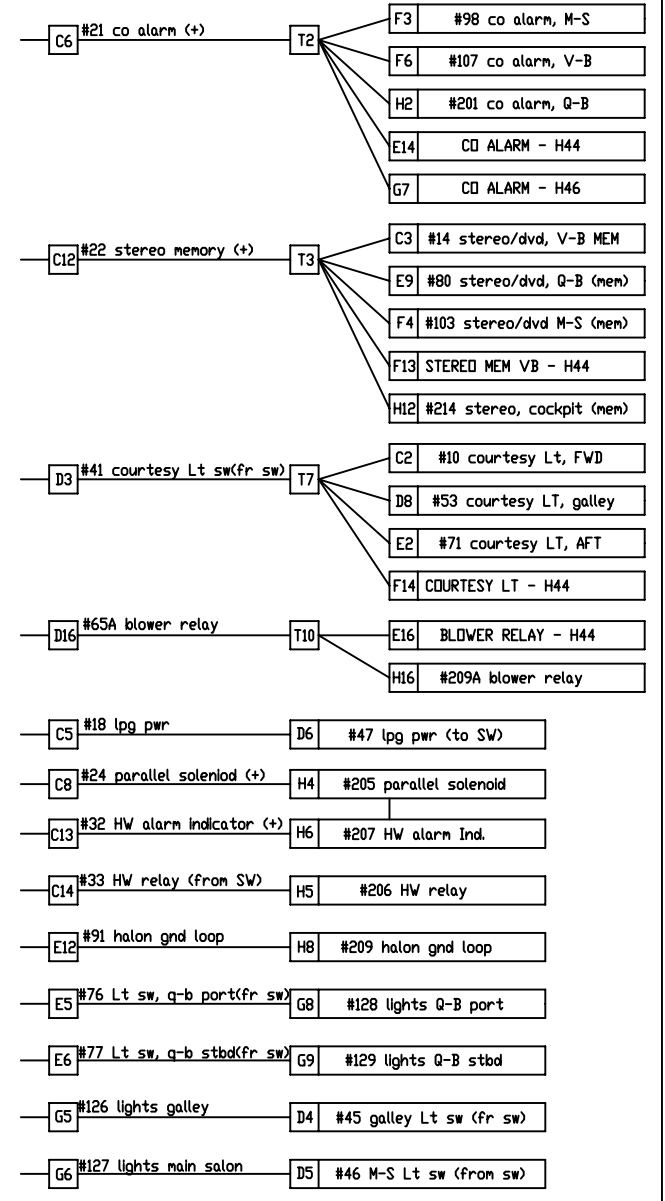
CHECKED

## WIRES FROM PANEL TO HARNESS



**LEGEND**  
 [T] = TERMINAL BLOCK  
 (R) = RESET  
 [A-H] = CONNECTOR PIN ASSIGNMENT

## WIRES FROM HARNESS TO HARNESS



PROPRIETARY INFORMATION THIS DRAWING CONTAINS INFORMATION FOR WHICH HUNTER MARINE CORPORATION HAS PROPRIETARY RIGHTS



DRAWING TITLE:  
**JUNCTION BOX INTERNAL CONNECTIONS**

DRAWN BY: JLK	DATE: 11/16/2004	SHEET	OF
------------------	---------------------	-------	----

LEGEND

— = 8ga wire  
 — = 18-14ga wire  
 10ga marked as shown.

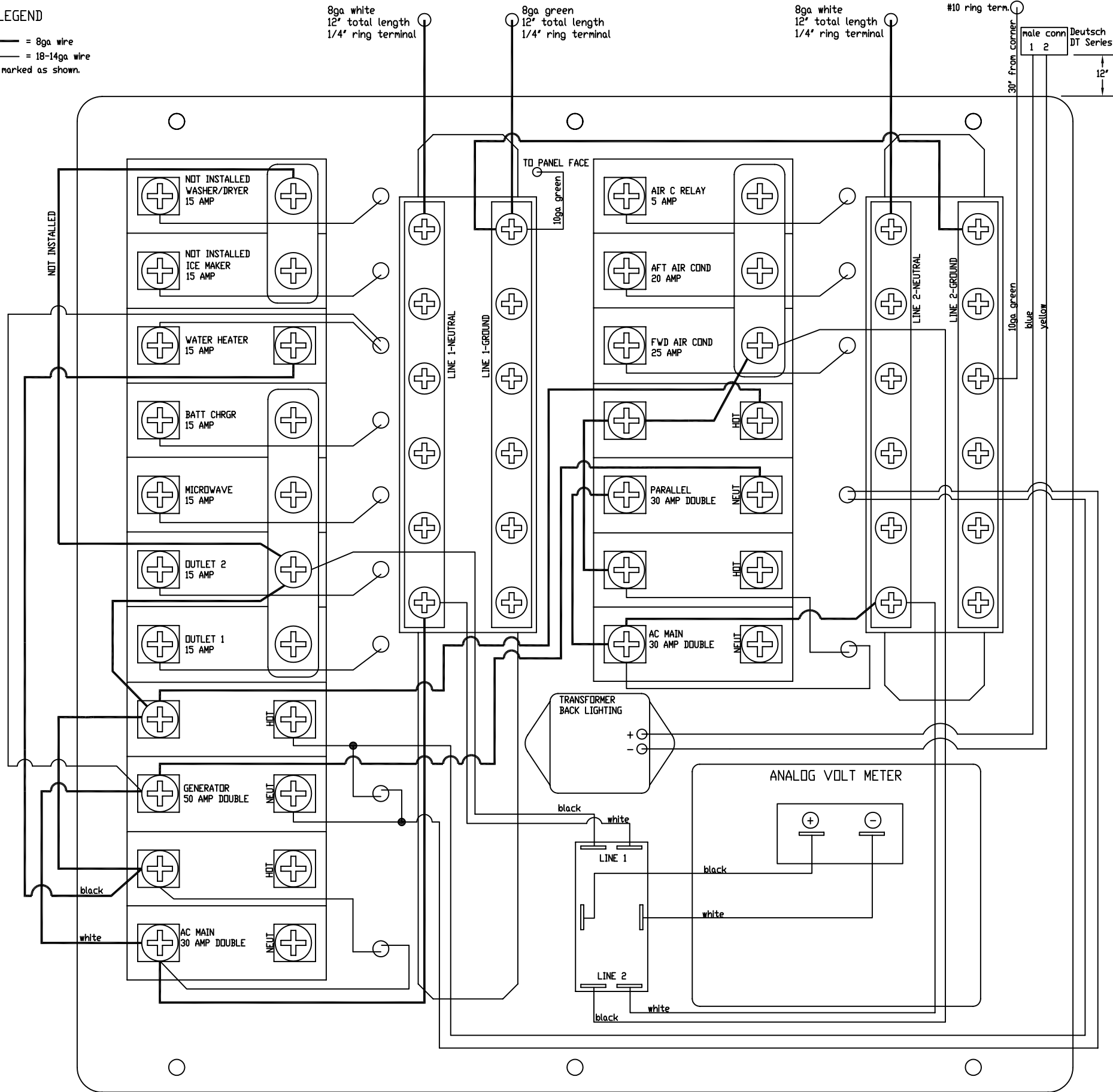
8ga white  
 12" total length  
 1/4" ring terminal

8ga green  
 12" total length  
 1/4" ring terminal

8ga white  
 12" total length  
 1/4" ring terminal

#10 ring term.

mole conn  
 1 2  
 Deutsch  
 DT Series



SYMBOL	REVISIONS	DATE	ENG
A	UPDATE MAIN BREAKERS AND INDICATOR LIGHTS.	6/13/03	JLK
B	DELETE REVERSE POLARITY LIGHT	11/17/05	JLK

NOTE: ALL INDICATOR LIGHTS NEUTRAL WIRES CONNECTS TO EITHER LINE 1 OR LINE 2 NEUTRAL BUS UNLESS SPECIFIED.

BREAKER LIST FOR 120V PANEL -

- AC MAIN - 30 AMP
- GENERATOR - 50 AMP
- OUTLETS - 15 AMP
- MICROWAVE - 15 AMP
- BATTERY CHARGER - 15 AMP
- WATER HEATER - 15 AMP
- FWD AIR COND. - 25 AMP
- AFT AIR COND. - 20 AMP
- AIR COND. RELAY - 5 AMP

BREAKER LIST FOR 240V PANEL -

- AC MAIN - 15 AMP
- GENERATOR - 30 AMP
- OUTLETS - 10 AMP
- MICROWAVE - 10 AMP
- BATTERY CHARGER - 10 AMP
- WATER HEATER - 10 AMP
- FWD AIR COND. - 15 AMP
- AFT AIR COND. - 10 AMP
- AIR COND. RELAY - 5 AMP

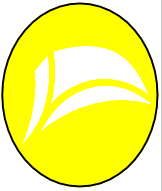
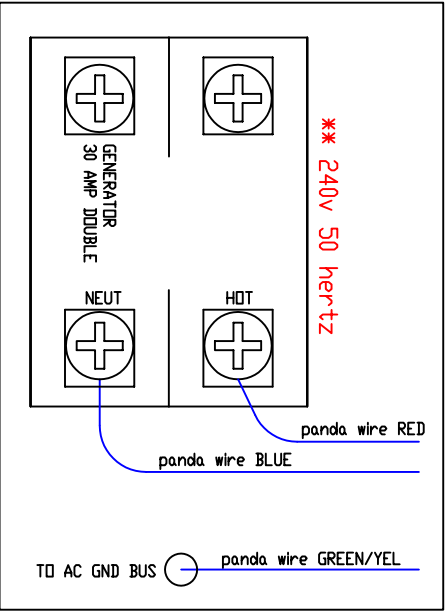
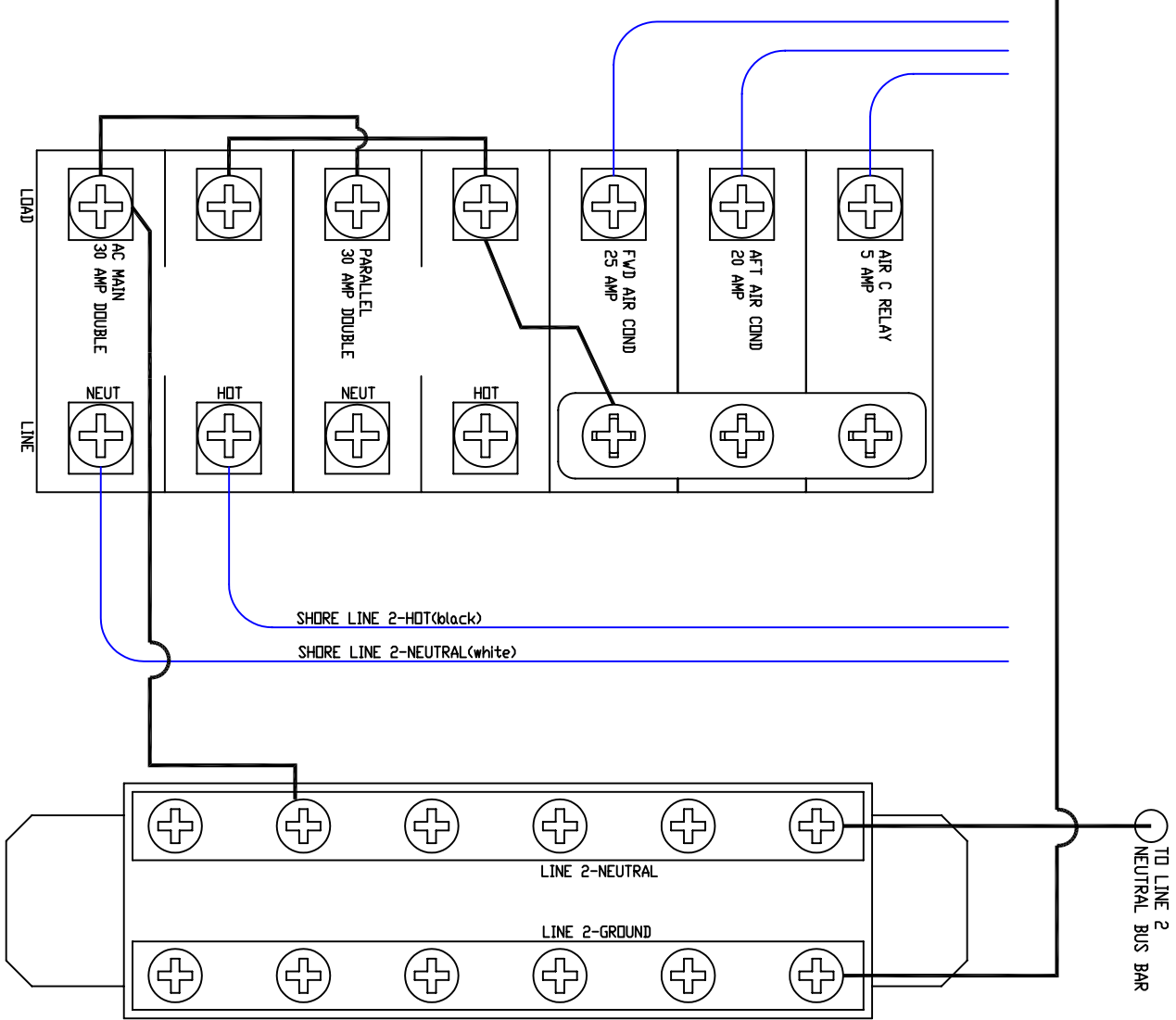
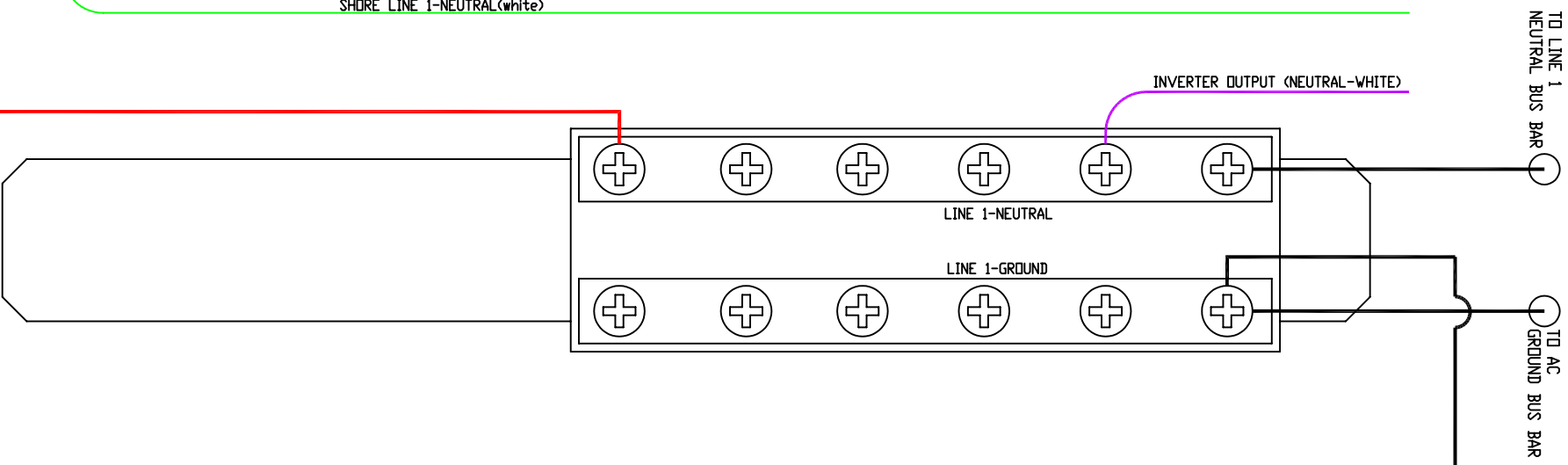
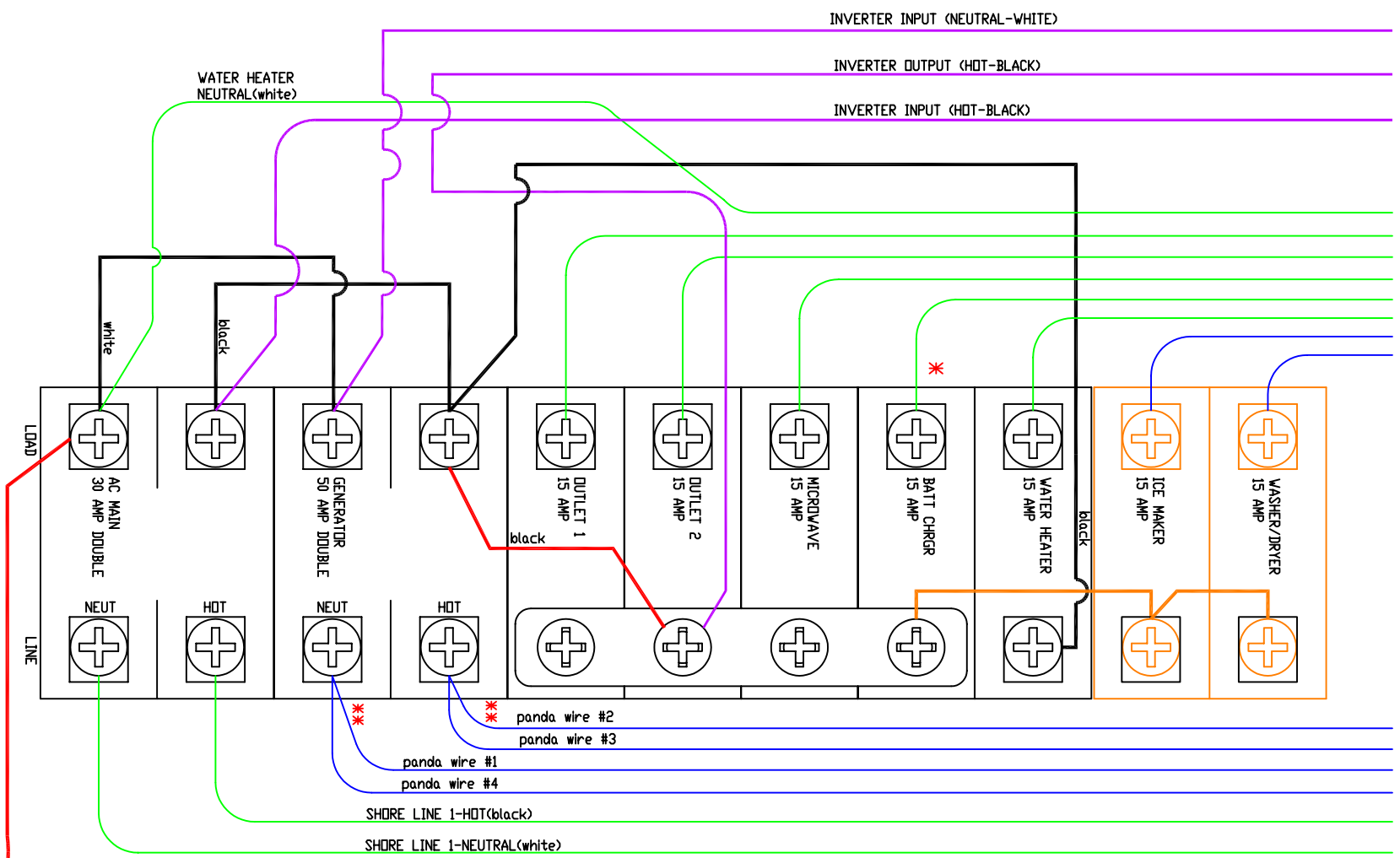
PROPRIETARY INFORMATION: THIS DRAWING CONTAINS INFORMATION FOR WHICH HUNTER MARINE CORPORATION HAS PROPRIETARY RIGHTS.



DRAWING TITLE:  
 PANEL, AC WITH ANALOG METER

DRAWN BY: JLK	DATE: 05-Mar-03	SHEET 1	OF 1
SCALE: 0.750	HUNTER PART NO. TBD	REVISION -	DRAW # DRW0002

- GREEN = Standard wire connections.
- RED = Wires removed for inverter option.
- PURPLE = Wire connections for inverter option.
- ORANGE = Wires and breakers added for options.
- BLUE = Wire connections for options.
- \* = Remove wire for inverter option and add SPARE label.



H U N T E R  
**REVEN**

PROPRIETARY INFORMATION: THIS DRAWING CONTAINS INFORMATION FOR WHICH HUNTER MARINE CORPORATION HAS PROPRIETARY RIGHTS.

DRAWING TITLE:

AC PANEL SCHEMATIC, PART 2

DRAWN BY:

JLK

DATE:

07-Mar-03

SHEET

1

SCALE:

0.563

HUNTER PART NO.

TBD

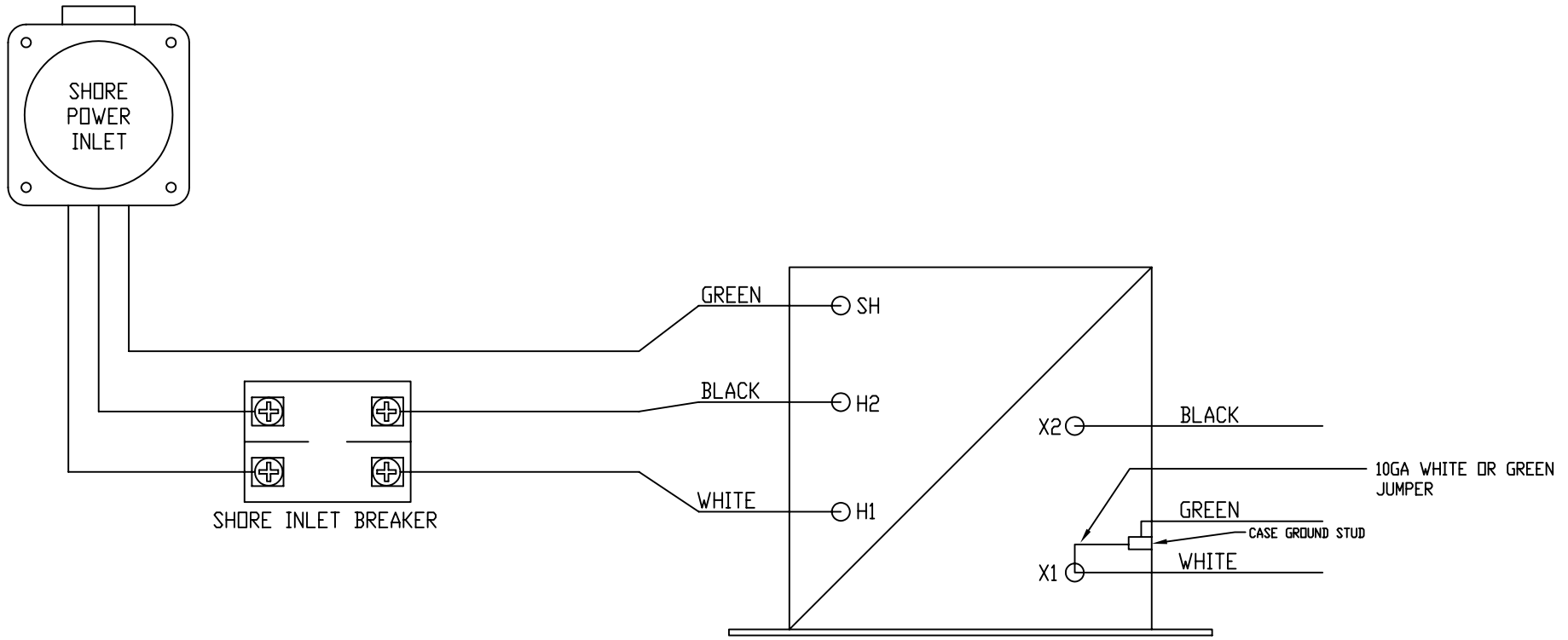
REVISION

-

DRAW #

DRW0003





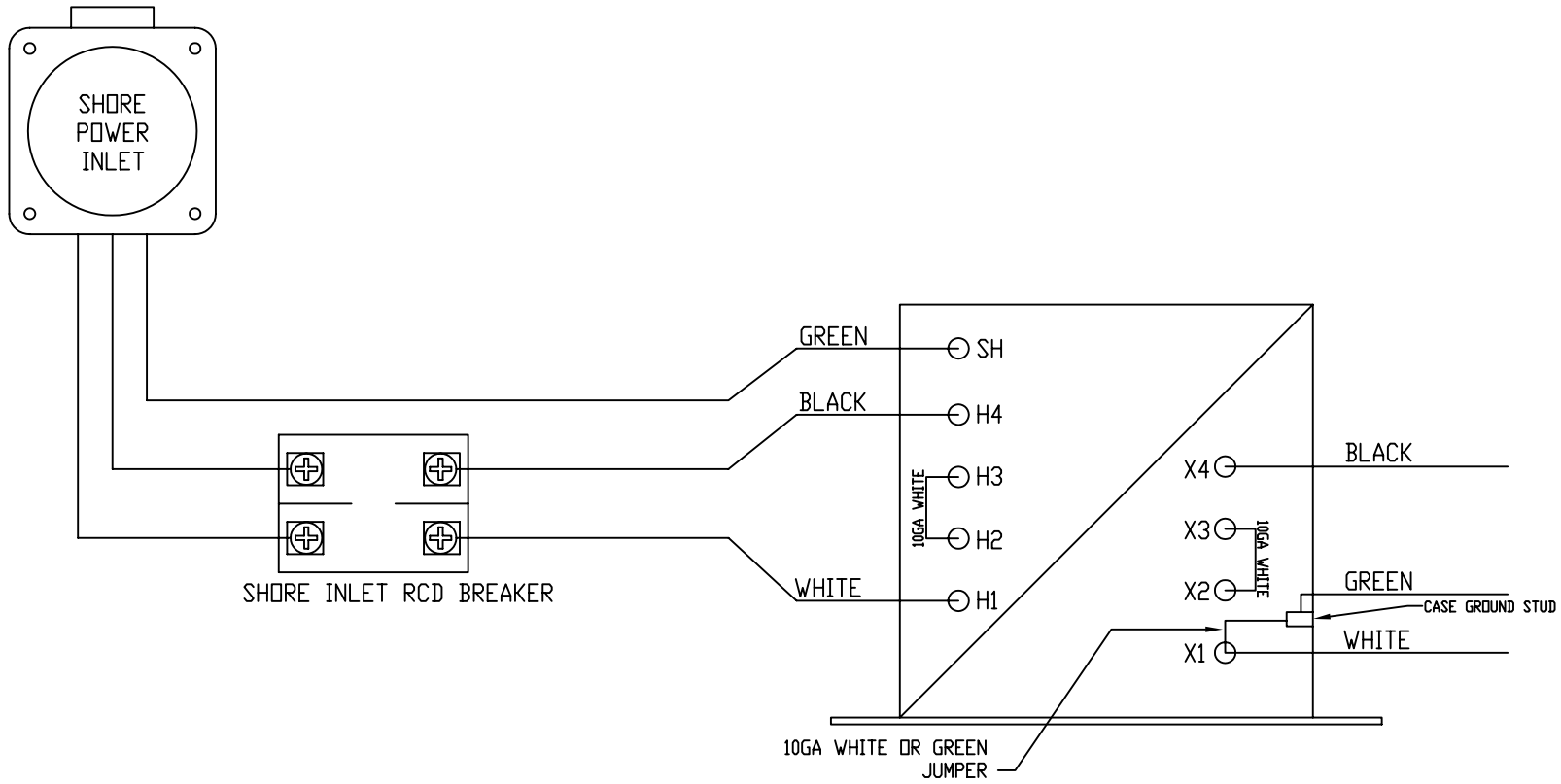
PROPRIETARY INFORMATION THIS DRAWING CONTAINS INFORMATION FOR WHICH HUNTER MARINE CORPORATION HAS PROPRIETARY RIGHTS.



HUNTER 120V

DRAWING TITLE: 3.6 KVA ISO GUARD

DRAWN BY: JLK	DATE: 17-June-03	SHEET 1	OF 1
SCALE: 0.045	HUNTER PART NO. TBD	REVISION -	DRAW # drawing number



PROPRIETARY INFORMATION THIS DRAWING CONTAINS INFORMATION FOR WHICH HUNTER MARINE CORPORATION HAS PROPRIETARY RIGHTS.



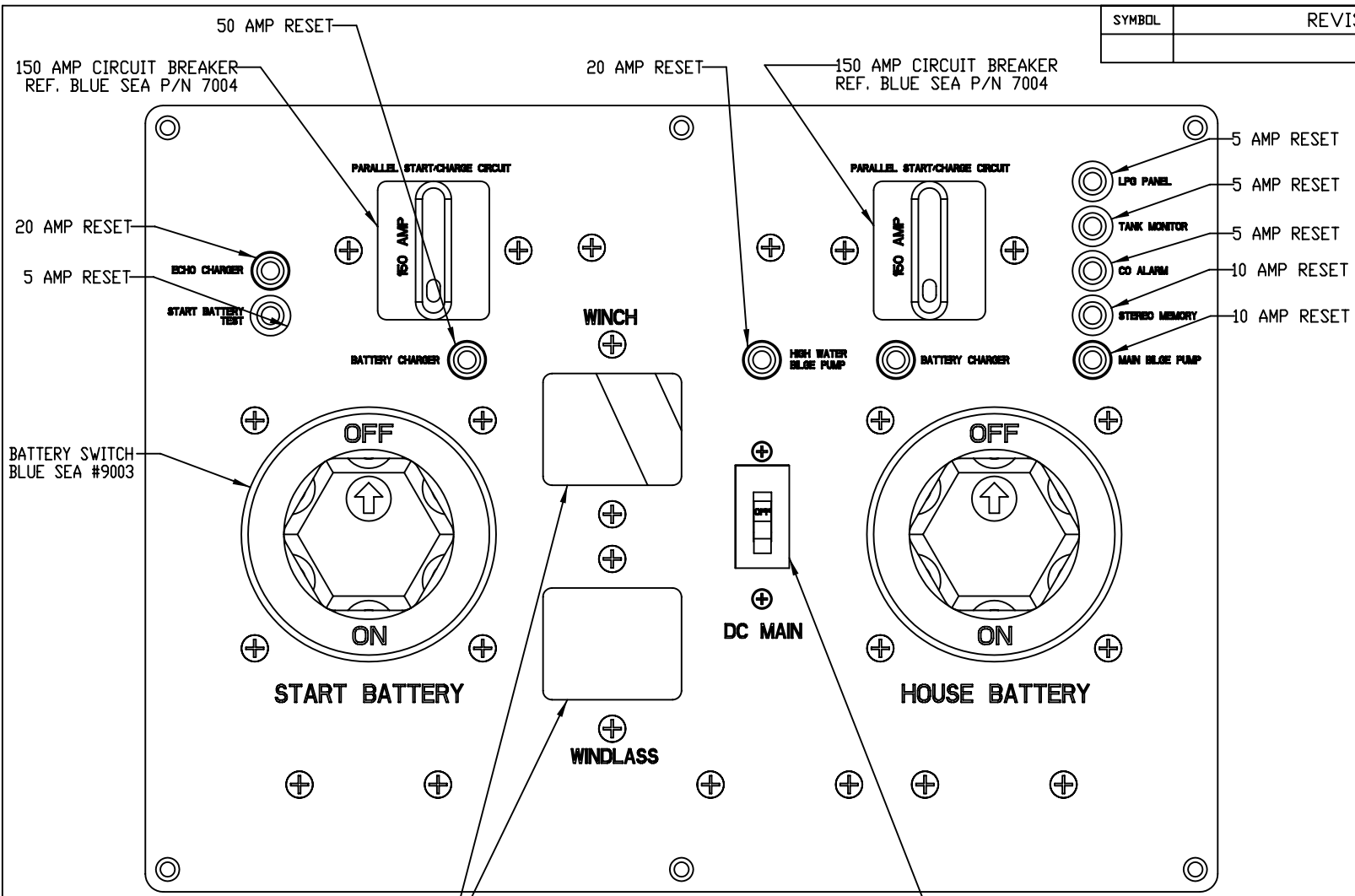
HUNTER 240V

DRAWING TITLE:

3.8 KVA ISO GUARD

DRAWN BY:	JLK	DATE:	17-June-03	SHEET	1	OF	1
SCALE:	0.045	HUNTER PART NO.	TBD	REVISION	-	DRAW #	drawing number

SYMBOL	REVISIONS	DATE	ENG



150 AMP CIRCUIT BREAKER  
REF. BLUE SEA P/N 7004

50 AMP RESET

20 AMP RESET

150 AMP CIRCUIT BREAKER  
REF. BLUE SEA P/N 7004

5 AMP RESET

5 AMP RESET

5 AMP RESET

10 AMP RESET

10 AMP RESET

20 AMP RESET

5 AMP RESET

BATTERY SWITCH  
BLUE SEA #9003

START BATTERY

HOUSE BATTERY

DC MAIN

WINDLASS

75 AMP CIRCUIT BREAKER  
DC C-SERIES

PLUG HOLES FOR OPTIONAL  
WINDLASS AND WINCH BREAKERS,  
ALSO SUPPLY MOUNTING SCREWS  
AND LINK PLATE.

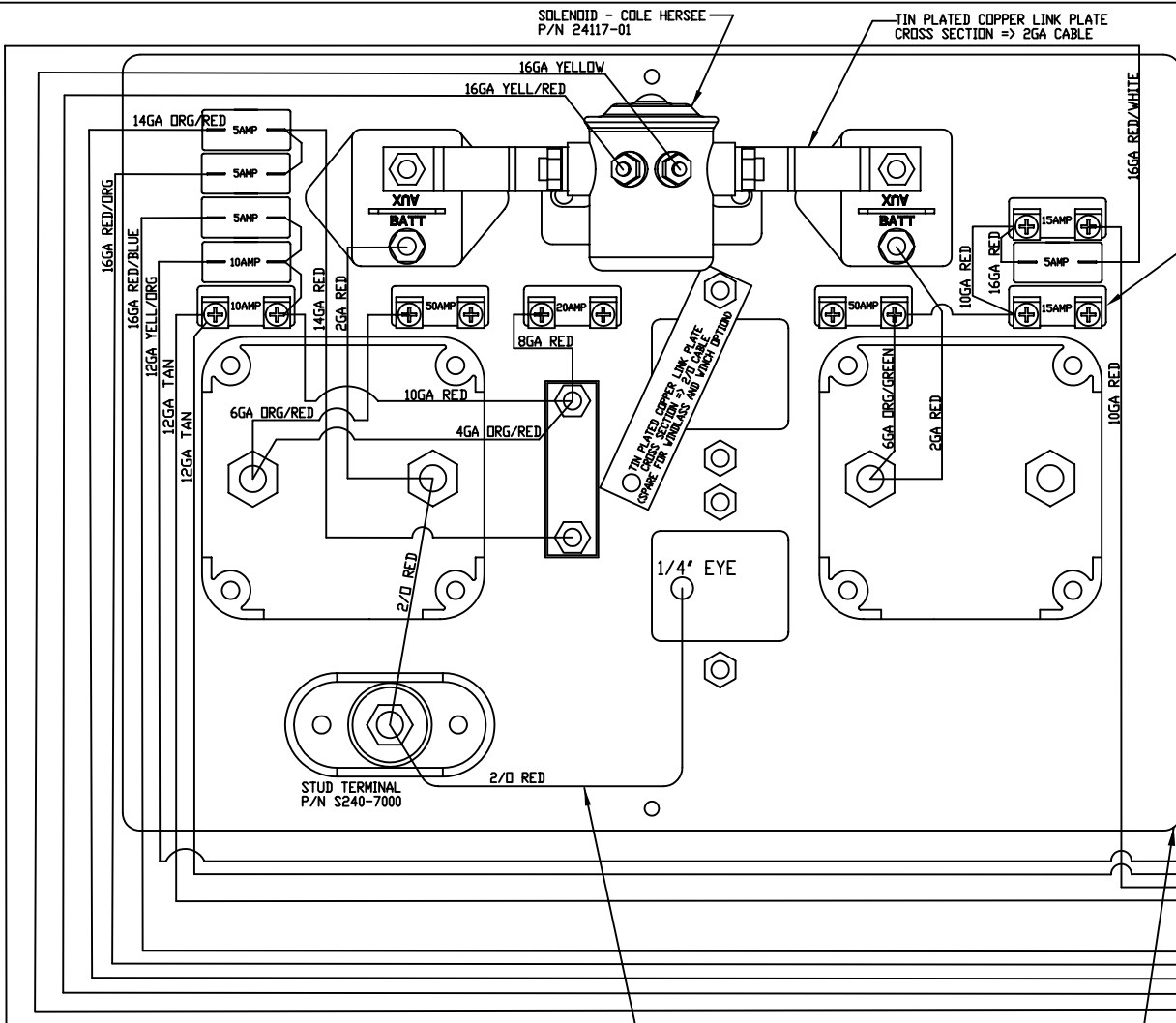
PROPRIETARY INFORMATION THIS DRAWING CONTAINS INFORMATION FOR WHICH HUNTER MARINE CORPORATION HAS PROPRIETARY RIGHTS.



HUNTER 41

DRAWING TITLE: <i>PANEL, BATTERY SWITCH</i>			
DRAWN BY: <i>JLK</i>	DATE: <i>24-Mar-03</i>	SHEET <i>1</i>	OF <i>1</i>
SCALE: <i>0.045</i>	HUNTER PART NO. <i>TBD</i>	REVISION <i>-</i>	DRAW # <i>drawing number</i>

CHECKED



SYMBOL	REVISIONS	DATE	ENG
A	Change Packard connectors to a single Deutsch connector.	6/02/2003	JLK
B	Change bilge wires to TAN, pin #2 and 4 of DTP connector.	9/04/2003	JLK
C	Delete two studs and update jumpers.	8/18/2004	JLK
D	ADD 15 AMP FOR OIL CHANGER AND UPDATE ECHO CHARGER TO 15 AMPS	5/10/2005	JLK
E	Update wires on start battery switch.	8/10/2005	JLK

PUSH BUTTON ON/OFF TYPE

TIN PLATED COPPER LINK PLATE CROSS SECTION => 2GA CABLE

8" FROM CORNER

1 } DEUTSCH FEMALE CONNECTOR  
2 } 4 PIN, DTP SERIES  
3 }  
4 }

1 } DEUTSCH FEMALE CONNECTOR  
2 } 6 PIN, DT SERIES  
3 }  
4 }  
5 }  
6 }

NOTE: Panel prewired from vendor.

DO NOT CONNECT TO STUD TERMINAL. SECURE CABLE TO OPTIONAL BREAKER MOUNTING SCREWS FOR WINDLASS OPTION.

8" FROM CORNER

CHECKED

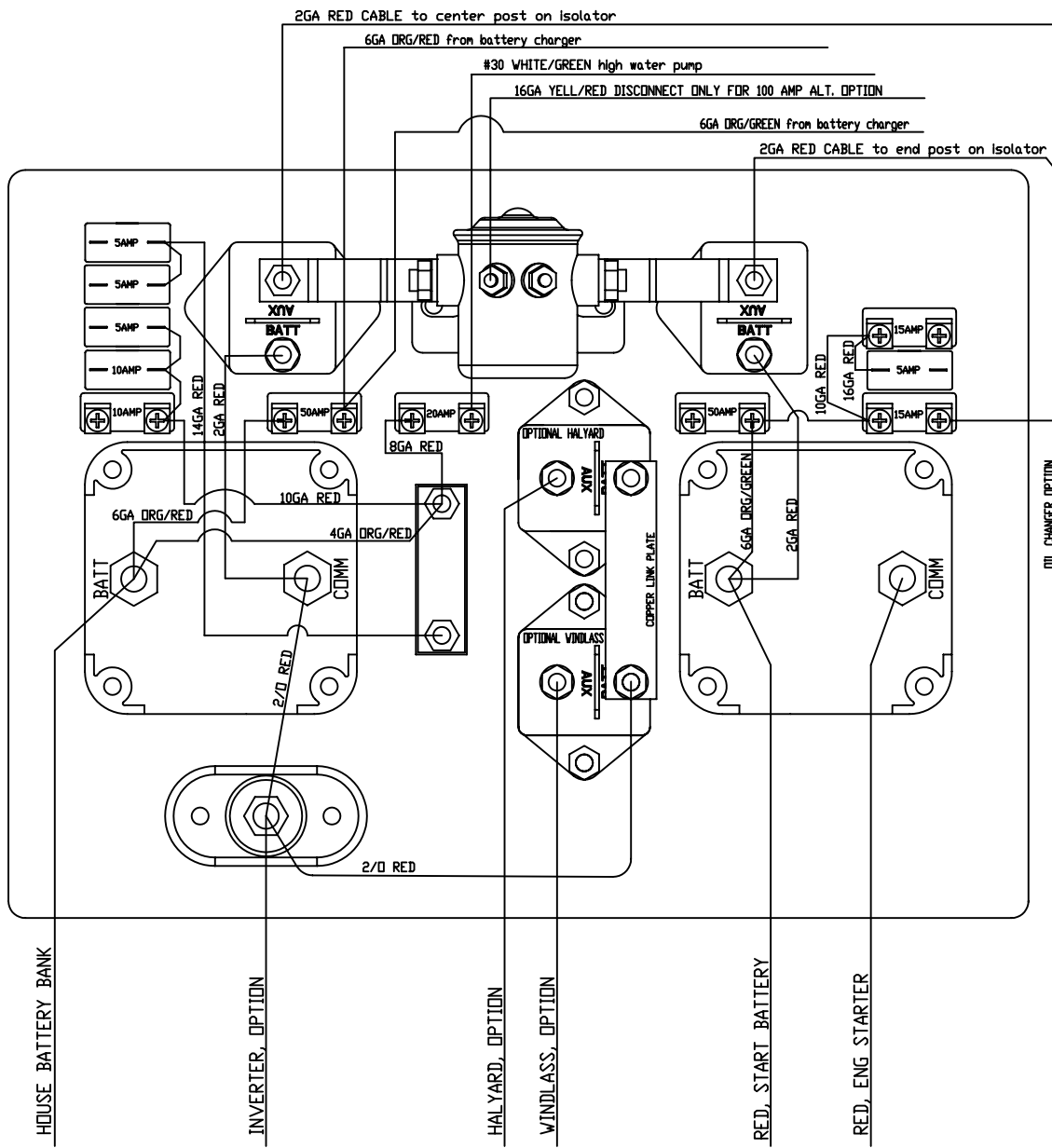
PROPRIETARY INFORMATION THIS DRAWING CONTAINS INFORMATION FOR WHICH HUNTER MARINE CORPORATION HAS PROPRIETARY RIGHTS.



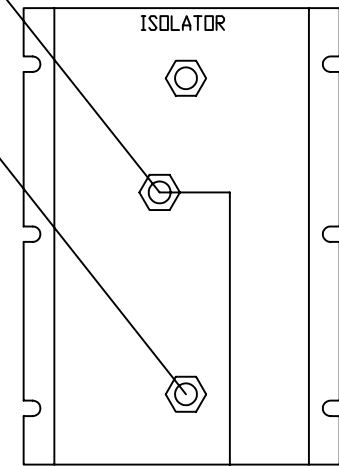
HUNTER 41

DRAWING TITLE:  
PANEL, BATTERY SWITCH, BACKSIDE P1

DRAWN BY: JLK	DATE: 02-Mar-03	SHEET 1	OF 3
SCALE: 0.045	HUNTER PART NO. TBD	REVISION -	DRAW # drawing number



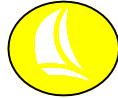
NOTE: ISOLATOR LOCATED UNDER NAV STATION STEP



2GA RED for 100 amp alt. option only

NOTE: Drawing shows all combinations for 120V boat.  
 -For 100amp alternator option add isolator and cables. Also disconnect 16ga YELLOW/RED from solenoid, be sure to tape end of wire and secure.  
 -For inverter option, do not install battery charger wires. Be sure to connect echo charger wire #23 to echo charger output on the side of the inverter.  
 All other connections are standard, except for the electric halyard and windlass.

PROPRIETARY INFORMATION THIS DRAWING CONTAINS INFORMATION FOR WHICH HUNTER MARINE CORPORATION HAS PROPRIETARY RIGHTS

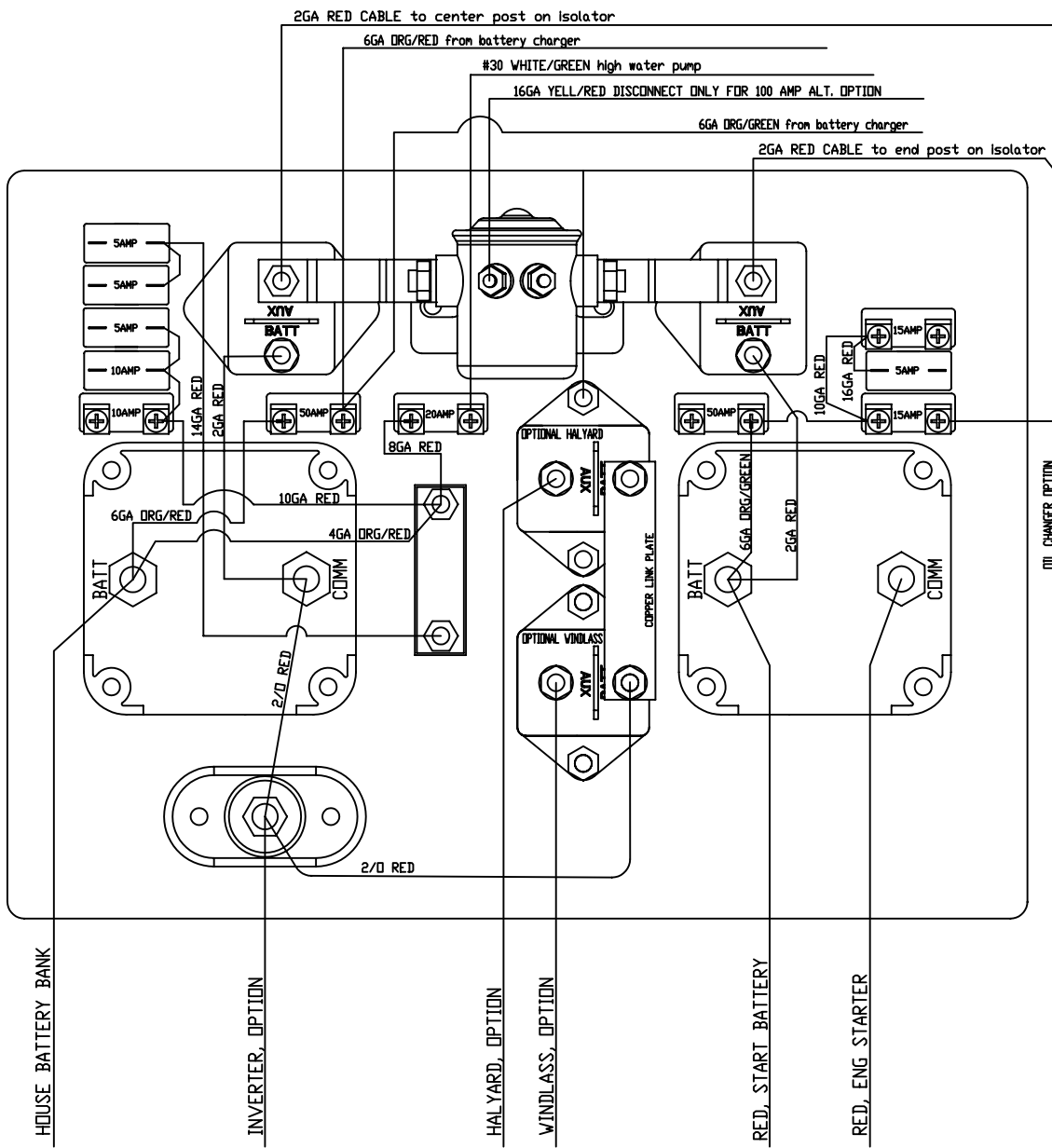


**HUNTER** 41

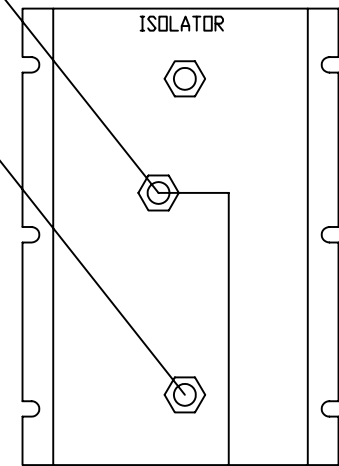
DRAWING TITLE:  
 PANEL, BATTERY SWITCH, BACKSIDE P2

DRAWN BY: JLK	DATE: 02-Mar-03	SHEET 2	OF 3
SCALE: 0.045	HUNTER PART NO. TBD	REVISION -	DRW # drawing number

CHECKED




NOTE: ISOLATOR LOCATED UNDER NAV STATION STEP



2GA RED for 100 amp alt. option only

NOTE: Drawing shows all combinations for 230V boat.  
 -For 100amp alternator option add isolator and cables. Also disconnect 16ga YELLOW/RED from solenoid, be sure to tape end of wire and secure.  
 -For inverter option, do not install battery charger wires. Add isolator and cables.  
 -Isolator connections are the same for both the inverter and 100amp alternator options, except for the alternator output cable.  
 All other connections are standard, except for the electric halyard and windlass.

PROPRIETARY INFORMATION THIS DRAWING CONTAINS INFORMATION FOR WHICH HUNTER MARINE CORPORATION HAS PROPRIETARY RIGHTS



**HUNTER 41**

DRAWING TITLE:  
**PANEL, BATTERY SWITCH, BACKSIDE P3**

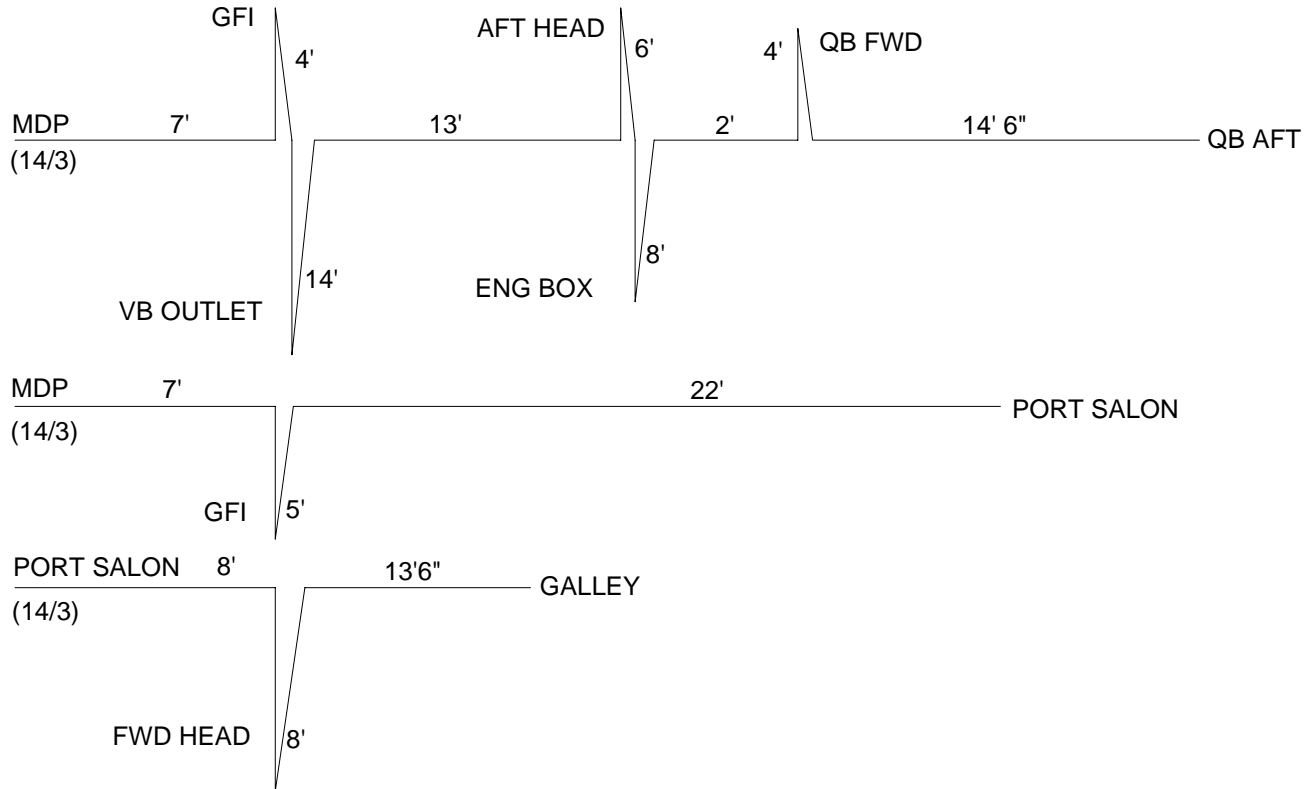
DRAWN BY: **JLK**      DATE: **02-Mar-03**      SHEET **3** OF **3**

SCALE: **0.045**      HUNTER PART NO. **TBD**      REVISION **-**      DRAW # **drawing number**

CHECKED

# 44 AC WIRES MODULE STAGE

REV. 11-15-05



MICROWAVE

(14/3) 28'

WATER HEATER

(14/3) 32'

FWD AIR COND

(10/3) 18'

PUMP RELAY

(14/3) 25'

AFT AIR COND

(10/3) 26'

AFT AIR RELAY

(14/3) 38'

AC POWER RELAY FEED

(14/3) 18'

FWD AIR RELAY

(14/3) 6'

TRANSFORMER 1

(10/3) 35'

TRANSFORMER 2

(10/3) 35'

<b>STAGE 24A-MODULE</b>						
	WIRE SIZE	COLOR	LENGTH	EYE	EYE	DESCRIPTION
FWD HOUSE BATTERY	2/O	RED	5' 6"	3/8"	3/8"	BATT TO FUSE-HOUSE1
	2/O	YELLOW	6'	5/16"	3/8"	BATT TO GND-HOUSE1
	2/O	YELLOW	3' 6"	5/16"	3/8"	BUSS TO BUSS
AFT HOUSE BATTERY	2/O	RED	2'	3/8"	3/8"	BATT TO FUSE-HOUSE2
	3/O	RED	6'	3/8"	3/8"	FUSE TO STUD-HOUSE2
	2/O	YELLOW	2' 6"	5/16"	3/8"	BATT TO GND-HOUSE2
START BATTERY	2ga	RED	8'	3/8"	3/8"	BATT TO SW-START
	2ga	YELLOW	2' 6"	5/16"	3/8"	BATT TO GND-START
YANMAR STARTER	2ga	RED	16'	3/8"	3/8"	START TO STUD-YAN
	2ga	YELLOW	10'	3/8"	3/8"	ENGINE TO GND-YAN
WINDLASS	2ga	RED	27'	1/4"	5/16"	BREAKER TO BOX-WL
	2ga	YELLOW	28.5'	3/8"	5/16"	GND TO BOX-WL
GNDS	4ga	GREEN/YELL	32'	1/4"	3/8"	ARCH GND
	4ga	GREEN/YELL	8' 6"	1/4"	1/2"	CHAINPLATE PORT 1
	4ga	GREEN/YELL	8' 6"	1/4"	1/2"	CHAINPLATE STBD 1



<b>STAGE 26-ENGINE</b>						
	WIRE SIZE	COLOR	LENGTH	EYE	EYE	DESCRIPTION
FIRE EXTINGUISHER	16-2	WHITE DUPLEX	21'			FIRE EXT
	16 GA	BROWN/BLUE	15'			BLOWER RELAY
GNDS	4ga	GREEN/YELL	2' 8"	1/2"	3/4"	CHAINPLATE PORT 2
	4ga	GREEN/YELL	2' 8"	1/2"	3/4"	CHAINPLATE STBD 2
	10 ga	GREEN/YELL	30'			FUEL FILL GRD
HIGH WATER PUMP	10ga	RED/GREEN	8 INCHES			HIGH WATER JUMPER
	10ga	RED/GREEN	8 INCHES			HIGH WATER JUMPER
	10ga	RED	8 INCHES			HIGH WATER JUMPER
<b>STAGE 56-ELECTRICAL</b>						
	WIRE SIZE	COLOR	LENGTH	EYE	EYE	DESCRIPTION
FIRE EXTIGUISHER	16ga	WHITE/BROWN	4'			SHUTDOWN BYPASS
	16ga	RED	2' 6"			SHUTDOWN POWER
	16ga	YELLOW	2' 6"			SHUTDOWN NEG
	16-2	WHITE/BLACK DUPLEX	12'			FIRE EXTIGUSHER
WINDLASS	2ga	RED	1' 6"	5/16"	5/16"	BOX TO MOTOR-WL
	2ga	RED	1' 6"	5/16"	5/16"	BOX TO MOTOR-WL
	16 ga	YELLOW	1' 6"	5/16"	F-spade	WINDLASS BOX NEG.
GNDS	4ga	GREEN/YELL	4' 2"	1/4"	3/8"	MAST POST TO KEEL
SHORE POWER 1	10-3	ROMEX	21'			SHORE POWER 1
SHORE POWER 2	10-3	ROMEX	21'			SHORE POWER 2
PHONE	22 GA	GREY SHIELD	25'			PHONE LINE
STERN LIGHT	16 GA	GREY/YELLOW	3'			STERN LIGHT
	16 GA	YELLOW	3'			STERN LIGHT GND
Q-B READING LIGHTS	14GA	BLUE	8'			STBD READING LT
	14GA	YELLOW	8'			STBD READING LT(-)
	14GA	BLUE	10'			PORT READING LT
	14GA	YELLOW	10'			PORT READING LT(-)

<b>OPTIONS</b>						
<b>MODULE STAGE 24A</b>						
INVERTER (120V)	2/O	RED	3' 6"	3/8"	3/8"	FUSE TO STUD
option	2/O	YELLOW	4'	5/16"	3/8"	INV TO GND
	1/O	YELLOW/GREEN	4'	5/16"	1/4	INV CASE TO GND
	2/O	RED	1' 6"	3/8"	3/8"	INV TO FUSE
	10/3	ROMEX	13'			INVERTER IN
	10/3	ROMEX	13'			INVERTER OUT
INVERTER (230V)	2ga	RED	2' 6"	1/4"	5/16"	ISOLATOR TO SOLENOLD
option	2ga	RED	2' 6"	1/4"	5/16"	ISOLATOR TO SOLENOLD
	1/O	YELLOW/GREEN	4'	3/8"	1/4	INV CASE TO GND
	2/O	RED	3' 6"	3/8"	3/8"	FUSE TO STUD
	10/3	ROMEX	13'			INVERTER IN
	10/3	ROMEX	13'			INVERTER OUT
BOW THRUSTER	3/O	RED	2'	3/8"	3/8"	FUSE TO FUSE JUMPER
option	3/O	RED	10.5'	3/8"	3/8"	FUSE TO SW
	3/O	RED	10'	3/8"	3/8"	SW TO MOTOR
	3/O	YELLOW	20'	3/8"	3/8"	NEG BUSS TO MOTOR
HALYARD	2ga	RED	24'	1/4"	3/8"	BREAKER TO BOX-HAL
option	2ga	YELLOW	18'	3/8"	3/8"	GND TO BOX-HAL
	2ga	RED	2'	1/4"	5/16"	BOX TO MOTOR-HAL
	2ga	RED	2'	1/4"	5/16"	BOX TO MOTOR-HAL
	2ga	RED	7 INCHES	3/8"	3/8"	HALYARD JUMPER
	16 ga	YELLOW	6 INCHES			HALYARD JUMPER
BATTERY CHARGER	8ga	ORANGE/GREEN	5' 6"			START BATT STUD
option	8ga	OR/RED	5' 6"			HOUSE BATT STUD
	8ga	YELLOW	5' 6"			TO NEG. BUS BAR
	14-3	ROMEX	13'			BATT CHARGER
ICEMAKER						
option	14-3	ROMEX	33'			ICEMAKER
WASHER/DRYER						
option	10-3	ROMEX	36'			WASHER/DRYER
12V WATERMAKER	8 GA	RED/BROWN	22'			WATERMAKER POS.
option	8GA	YELLOW	10'			WATERMAKER GRD.
PORT ELEC HALYARD	2 GA	RED	26'	1/4	3/8	BREAKER TO BOX-HAL
option	2 GA	YELLOW	22'	3/8	3/8	GROUND TO BOX-HAL
	2 GA	RED	2'	1/4	5/16	BOX TO MOTOR-HAL
	2 GA	RED	2'	1/4	5/16	BOX TO MOTOR-HAL
	2 GA	RED	8 INCHES	1/4	1/4	HALYARD JUMPER
	16 GA	YELLOW	6 INCHES			HALYARD JUMPER
TRI-CABIN OPTION	16 GA	BLUE/WHITE	3' 6"			FLOOR COURTESY LIGHT
	16 GA	YELLOW	3' 6"			FLOOR COURTESY LIGHT (-)
	16 GA	RED/BLUE	15'			CO ALARM
	16 GA	YELLOW	15'			CO ALARM (-)
	16 GA	BLUE	15'			CABIN LIGHTS
	16 GA	YELLOW	15'			CABIN LIGHTS (-)
100AMP ALTERNATOR	2 GA	RED	3'	1/4"	5/16"	ISO TO START RESET
option	2 GA	RED	3'	1/4"	5/16"	ISO TO HOUSE RESET
	2 GA	RED	14'	1/4"	5/16"	ALT TO ISOLATOR

**OPTIONS****ENGINE STAGE 26**

GENERATOR STARTER	2ga	RED	7'	5/16"	3/8"	START TO STUD-GEN
option	2ga	YELLOW	2' 6"	5/16"	3/8"	ENGINE TO GND-GEN
100AMP ALTERNATOR	2ga	YELLOW	3'	1/4"	3/8"	ALT. GND TO ENG. GND
option	16 ga	WHITE/RED	5'			TACH
	16 ga	BLUE	5'			DASH LAMP

**DECK RIGGING STAGE 34**

SONY STEREO	12 GA	RED	19'			STEREO POWER
option	12 GA	YELLOW	19'			STEREO GROUND
	12 GA	ORANGE/GREEN	19'			STEREO MEMORY
	16 GA	WHITE/BLUE	6'			STARBOARD SPEAKER POS
	16 GA	WHITE/BLACK	6'			STARBOARD SPEAKER NEG
	16 GA	WHITE/ORANGE	20'			PORT SPEAKER POS
	16 GA	WHITE/YELLOW	20'			PORT SPEAKER NEG

**ELECTRICAL STAGE 56**

AUTO PILOT	8 GA	RED	6'			AUTO PILOT POS.
option	8 GA	YELLOW	6'			AUTO PILOT GRD.
CHART PLOTTER	10 GA	RED	36'			CHART PLOTTER POS.
option	10 GA	YELLOW	36'			CHART PLOTTER GRD.
RADAR	10 GA	RED/YELLOW	6'			RADAR POWER
option	10 GA	YELLOW	6'			RADAR GROUND

#### 44 HULL HARNESS WIRE LIST

Rev. -G, 11/18/2005

WIRE#	GAUGE	COLOR	FEET	DESCRIPTION	POINT TO POINT	INCHES
1	16ga	Tan	12.5	WINDLASS, #201		150
2	16ga	Gray/White	12.5	BOW LIGHT, #202		150
3	10ga	Blue	2.5	LIGHTS, AFT #247		30
4	14ga	Blue/Yellow	2.5	RANGEHOOD #258		30
5	16ga	Gray/Red	12.75	ANCHOR LIGHT #329		153
6	16ga	Gray/Green	12.75	STEAMING LIGHT #330		153
7	16ga	Gray	12.75	DECK LIGHT #331		153
8	12ga	Brown/Yellow	20	SUMP PUMP FWD (+)		240
9	10ga	Red	9	ENTERTAINMENT SYSTEM		108
10	10ga	Blue	12.25	LIGHTS, HOT1		147
11	14ga	Blue	8	LIGHT, TO SW, V-B		96
13	14ga	Blue	2.5	LIGHTS, FWD, #203		30
14	14ga	Blue	2.5	LIGHT, FLUOR. #11, DIRECT PWR, #328		30
15	14ga	Blue	8.5	LIGHT, FROM SW, V-B, #325		102
16	14ga	Red	12.5	12VDC OUTLET, V-B		150
17	16ga	Red/Blue	14	CO ALARM, V-B		168
18	14ga	Red/Yellow	13.5	STEREO, V-B, (+)		162
19	14ga	Yellow/Red	13.5	STEREO, V-B, MEMORY		162
20	16ga	White/Red	7	LEFT SPEAKER, V-B (+)		84
21	16ga	White/Yellow	7	LEFT SPEAKER, V-B (-)		84
22	16ga	White/Blue	7	RIGHT SPEAKER, V-B (+)		84
23	16ga	White/Black	7	RIGHT SPEAKER, V-B (-)		84
24	16ga	Blue/White	17.5	LIGHT, COURTESY		210
25	14ga	Red/Green	12.5	FWD TV, #231		150
26	14ga	Blue	12.5	LIGHTS, MAIN, #214		150
27	14ga	Blue	12.5	LIGHTS, GALLEY, #238		150
28	14ga	Blue	12.5	LIGHTS, Q-B, #242		150
29	22ga	4 cond. cable	14	PHONE CABLE, V-B		168
30	RG6QS	Coax	11.5	FWD TV COAX, SEC1		138
31	6ga	Yellow	12.5	NEG, FWD BUS BAR		150
32	12ga	Yellow	5.5	NEG, TO #216		66
32B	14ga	Yellow	5.5	NEG, TO #221		66
33	10ga	Yellow	5.5	NEG, TO #259		66
34	12ga	Yellow	5.5	NEG, TO #334		66
34B	10ga	Yellow	5.5	NEG, TO #336		66
35	12ga	Yellow	15	SUMP PUMP FWD (-)		180
36	10ga	Yellow	9.5	NEG, ENTERTAINMENT SYSTEM		114
36A	10ga	Green/Yellow	10	INVERTER CASE GROUND		120
37	14ga	Yellow	5.5	12VDC OUTLET, V-B, (-)		66
38	14ga	Yellow	6.5	STEREO, V-B, (-)		78
39	16ga	Yellow	7	CO ALARM, V-B, (-)		84

#### 44 HULL HARNESS WIRE LIST

Rev. -G, 11/18/2005

WIRE#	GAUGE	COLOR	FEET	DESCRIPTION	POINT TO POINT	INCHES
40	16ga	Yellow	12.5	NEG, LIGHT, COURTESY		150
41	14ga	Brown/Pink	17.5	VACUUM GENERATOR PWR, SEC1		210
42	14ga	Brown/Pink	1	VACUUM GEN FWD (+)		12
43	14ga	Brown/Pink	1	VACUUM GEN AFT (+)		12
44	10ga	Brown/White	16	MACERATOR (+)		192
45	12ga	Brown	13.75	WATER PUMP (+)		165
46	12ga	Brown/Orange	15	BILGE PUMP, AUTO		180
47	12ga	Brown/Red	16	BILGE PUMP, MANUAL		192
48	14ga	Orange/Red	14.5	LPG PWR (+)		174
49	14ga	Orange/Green	30.5	LPG FROM SW TO SOLENOID		366
50	10ga	Red/Black	11.75	REFRIGERATOR (+)		141
51	10ga	Red/White	22	FREEZER (+)		264
52	10ga	Blue	16.25	LIGHT SW PWR, M-C/GALLEY		195
53	14ga	Blue	1	LIGHT SW, (TO SW), M-C		12
54	14ga	Blue	17.25	LIGHT SW, (FROM SW), M-C		207
55	14ga	Blue	1	LIGHT SW, (TO SW), GALLEY		12
56	14ga	Blue	17.25	LIGHT SW, (FROM SW), GALLEY		207
57	14ga	Blue/White	9.75	LIGHTS, COURTESY, PWR		117
58	16ga	Blue/White	7.5	LIGHTS, COURTESY(TO SW)		90
59	16ga	Blue/White	7.5	LIGHTS, COURTESY(FROM SW), SEC1		90
60	16ga	Blue/White	3	LIGHT, COURTESY, GALLEY		36
61	16ga	Blue/White	9.75	LIGHTS, COURTESY(FROM SW), SEC2		117
62	16ga	Blue/White	7	LIGHT, DISH RACK, (TO SW)		84
63	16ga	Blue/White	18.5	LIGHT, DISH RACK, (FROM SW)		222
64	14ga	Red	13.5	12VDC OUTLET PWR, SEC1		162
67	14ga	Red	11.5	12VDC OUTLET FWD HEAD		138
68	14ga	Red	10.5	12VDC OUTLET AFT GALLEY		126
69	16ga	Orange/Yellow	9	WATER SENSOR STBD (+)		108
70	16ga	Pink/Violet	9	WATER SENSOR STBD (S)		108
71	16ga	Orange/Black	13	WATER SENSOR PORT (+)		156
72	16ga	Pink/Yellow	13	WATER SENSOR PORT (S)		156
73	16ga	Orange/Green	15	WASTE SENSOR MAIN (+)		180
74	16ga	Pink/Gray	15	WASTE SENSOR MAIN (S)		180
75	6ga	Yellow	4.5	NEG. TO BUS BAR		54
76	14ga	Yellow	5.5	VACUUM GENERATOR NEG., SEC1		66
77	14ga	Yellow	1	VACUUM GEN FWD (-)		12
78	14ga	Yellow	1	VACUUM GEN AFT (-)		12
79	10ga	Yellow	7.5	MACERATOR (-)		90
80	12ga	Yellow	5	WATER PUMP (-)		60
81	12ga	Yellow	7.5	BILGE PUMP (-)		90
82	16ga	Yellow	7	LPG INDICATOR (-)		84

#### 44 HULL HARNESS WIRE LIST

Rev. -G, 11/18/2005

WIRE#	GAUGE	COLOR	FEET	DESCRIPTION	POINT TO POINT	INCHES
83	14ga	Yellow	25.5	LPG SOLENOID (-)		306
84	10ga	Yellow	3	REFRIGERATOR (-)		36
85	10ga	Yellow	13.5	FREEZER (-)		162
86	16ga	Yellow	4	LIGHT, COURTESY GALLEY (-)		48
87	16ga	Yellow	12.5	LIGHT, DISK RACK, (-)		150
88	14ga	Yellow	4.5	12VDC OUTLET (-), SEC1		54
91	14ga	Yellow	11.5	12VDC OUTLET #2, (-)		138
92	14ga	Yellow	10.5	12VDC OUTLET #3, (-)		126
93	16ga	Yellow	6	WATER SENSOR STBD (-)		72
94	16ga	Yellow	3	WATER SENSOR PORT (-)		36
95	16ga	Yellow	5	WASTE SENSOR (-)		60
96	14ga	Brown/Blue	27	BLOWER, Q-B		324
96A	16ga	Brown/Blue	16.5	BLOWER RELAY		198
97	12ga	Brown/Black	19	SUMP PUMP AFT (+)		228
98	14ga	Blue	26.5	LIGHT SW PWR, Q-B, (TO SW)		318
99	14ga	Blue	26.5	LIGHTS, Q-B, (FROM SW)		318
100	14ga	Red	13	12VDC OUTLET AFT/ Q-B PWR, SEC1		156
101	14ga	Red	5	12VDC OUTLET, AFT VANITY		60
102	14ga	Red	5.5	12VDC OUTLET, Q-B		66
103	16ga	Red/Blue	19.5	CO ALARM Q-B (+)		234
104	14ga	Red/Yellow	18.5	STEREO, Q-B, (+)		222
105	14ga	Yellow/Red	18.5	STEREO, Q-B, MEMORY		222
106	16ga	White/Red	5	LEFT SPEAKER, V-B (+)		60
107	16ga	White/Yellow	5	LEFT SPEAKER, V-B (-)		60
108	16ga	White/Blue	16.5	RIGHT SPEAKER, V-B (+)		198
109	16ga	White/Black	16.5	RIGHT SPEAKER, V-B (-)		198
111	16ga	Pink	26	FUEL TANK SENSOR (S)		312
112	16ga	Blue/White	20	COURTESY LIGHT AFT (+)		240
113	16ga	Blue/White	23.5	LIGHTS, ENGINE BOX/MIRROR, SEC1		282
114	16ga	Blue/White	2	LIGHT, ENGINE BOX		24
115	16ga	Blue/White	3	LIGHT SW, MIRROR, (TO SW)		36
116	16ga	Blue/White	3.5	LIGHT, MIRROR		42
117	22ga	4 cond. Cable	21	PHONE CABLE, Q-B		252
118	10ga	Yellow	13	NEG., AFT COMPONENTS, SEC1		156
119	14ga	Yellow	1	NEG., AFT COMPONENTS, SEC3		12
120	14ga	Yellow	5	12VDC OUTLET, AFT VANITY, (-)		60
121	14ga	Yellow	2	NEG., AFT COMPONENTS, SEC4		24
121A	14ga	Yellow	1	NEG., AFT COMPONENTS, SEC4A		12
122	14ga	Yellow	1	12VDC OUTLET, Q-B, (-)		12
123	16ga	Yellow	2	CO ALARM Q-B (-)		24
124	14ga	Yellow	0.5	NEG., AFT COMPONENTS, SEC2		6

#### 44 HULL HARNESS WIRE LIST

Rev. -G, 11/18/2005

WIRE#	GAUGE	COLOR	FEET	DESCRIPTION	POINT TO POINT	INCHES
125	14ga	Yellow	0.5	NEG., AFT COMPONENTS, SEC5		6
126	16ga	Yellow	8	FUEL TANK SENSOR (-)		96
127	16ga	Black/Yellow	4	FIRE EXT. GND LOOP		48
127A	16ga	Black/Yellow	32	FIRE EXT. GND LOOP		384
128	14ga	Yellow	2	STEREO, Q-B, (-)		24
129	14ga	Yellow	12	BOWER, Q-B, (-)		144
130	14ga	Yellow	4	NEG., AFT COMPONENTS, SEC6		48
131	14ga	Yellow	1.5	SUMP PUMP AFT (-)		18
132	14ga	Yellow	1	NEG., AFT COMPONENTS, SEC7		12
133	16ga	Yellow	1.5	COURTESY LIGHT AFT (-)		18
134	14ga	Yellow	5	NEG., AFT COMPONENTS, SEC8		60
135	16ga	Yellow	2	LIGHT, ENGINE BOX, (-)		24
136	16ga	Yellow	4.5	LIGHT, MIRROR, (-)		54
140	14ga	Red/Green	29.75	AFT TV, PWR		357
141	16ga	Yellow/Red	3	IGNITION SW RELAY		36
142	16ga	White/Brown	8	ENGINE STOP		96
143	16ga	Red	8	SHUTDOWN CONTROL BOX (+)		96
144	16ga	Red	8	FUEL GAUGE POWER		96
145	16ga	Blue	0.5	FUEL GAUGE LIGHT		6
146	14ga	Yellow	33.5	SHUTDOWN CONTROL BOX (-)		402
147	16ga	Yellow	8	FUEL GAUGE NEG		96
148	10ga	Red	6.5	ECHO CHARGER		78
151	10ga	Brown/Pink	25.5	ELECTRIC TOILET, FWD		306
152	10ga	Yellow	19.5	ELECTRIC TOILET, FWD (-)		234
153	10ga	Brown/Pink	18	ELECTRIC TOILET, AFT		216
154	10ga	Yellow	18	ELECTRIC TOILET, AFT (-)		216
170	16ga	Red/Blue	3	CO ALARM, P1		36
171	12ga	Brown/Green	15	OIL CHANGER (+)		180
172	12ga	Yellow	7	OIL CHANGER (-)		84
174	16ga	Red/Orange	4.5	TANK PWR		54
175	12ga	Tan	3	BILGE PUMP		36
176	16ga	Red	3	START BATTERY VOLT TEST		36
177	6ga	Orange/Red	4	DC PANEL FEED		48
179	16ga	Red/Blue	5.5	CO ALARM, M-C		66
180	16ga	Blue/White	5	LIGHT, CHART		60
184	14ga	Yellow/Org	3	STEREO MEMORY (SOURCE)		36
186	6ga	Yellow	0	DC PANEL NEG.		0
188	14ga	Yellow	9	NEG., CO ALARM/ CHART LT, M-C		108
189	16ga	Yellow	9.5	IGNITION SW RELAY, (-)		114
191	16ga	Yellow	12	TANK DISPLAY (-)		144
192	14ga	Yellow	21	AFT TV, (-)		252

**44 HULL HARNESS WIRE LIST**

Rev. -G, 11/18/2005

<b>WIRE#</b>	<b>GAUGE</b>	<b>COLOR</b>	<b>FEET</b>	<b>DESCRIPTION</b>	<b>POINT TO POINT</b>	<b>INCHES</b>
193	16ga	Yellow	3	CO ALARM (-)		36
194	16ga	Yellow	2.5	LIGHT, CHART (-)		30
195	RG213	Coax	19	VHF RADIO, COAX CABLE		228
196	8ga	Brown/Tan	15.5	HIGH WATER PUMP AUTO		186
197	8ga	Yellow	7.5	HW PUMP NEG		90
198	16ga	Yellow/Brown	16	HW RELAY SW		192
199	16ga	Brown/Red	16	HW ALARM INDICTOR		192



**44 DECK HARNESS WIRE LIST**

REV. -C, 06/28/2005

<b>WIRE#</b>	<b>GAUGE</b>	<b>COLOR</b>	<b>FEET</b>	<b>DESCRIPTION</b>	<b>POINT TO POINT</b>	<b>INCHES</b>
201	16ga	Tan	15.5	WINDLASS		186
202	16ga	Gray/White	15.5	BOW LIGHT (+)		186
203	14ga	Blue	1.5	LIGHTS, FWD, SEC1		18
204	14ga	Blue	4	LIGHT, FWD, READING, #1		48
205	14ga	Blue	7	LIGHTS, FWD, SEC2		84
206	14ga	Blue	2	LIGHT, FWD, READING, #2		24
207	14ga	Blue	15	LIGHTS, FWD, SEC3		180
208	14ga	Blue	2	LIGHT, FWD, READING, #3		24
209	14ga	Blue	2	LIGHTS, FWD, SEC4		24
210	14ga	Blue	4.5	LIGHT, FWD, DOME, #1		54
211	14ga	Blue	2.5	LIGHTS, FWD, SEC5		30
212	14ga	Blue	9	LIGHT, FWD, TO SW, BAR LIGHT #1		108
212A	14ga	Blue	4.5	LIGHT, FWD, FROM SW, BAR LIGHT #1		54
213	14ga	Blue	3	LIGHT, FWD, READING, #4		36
214	14ga	Red/Green	17	FWD TV PWR		204
215	RG6QS	Coax	17	FWD TV CABLE LEAD, #1		204
216	12ga	Yellow	1.5	NEG., LIGHTS(FWD)&TV, SEC1		18
217	14ga	Yellow	4	NEG., LIGHT, READING, #1		48
218	14ga	Yellow	7	NEG., LIGHTS(FWD)&TV, SEC2		84
219	14ga	Yellow	2	NEG., LIGHT, READING, #2		24
220	14ga	Yellow	5	NEG., LIGHTS(FWD)&TV, SEC3		60
221	14ga	Yellow	15.5	NEG., BOW LIGHT		186
222			0			0
223	14ga	Yellow	1.5	NEG., FWD TV		18
224	14ga	Yellow	8	NEG., LIGHTS(FWD)&TV, SEC5		96
225	14ga	Yellow	2	NEG., LIGHT, READING, #3		24
226	14ga	Yellow	2	NEG., LIGHTS(FWD)&TV, SEC6		24
227	14ga	Yellow	4.5	NEG., LIGHT, DOME, #1		54
228	14ga	Yellow	2.5	NEG., LIGHTS(FWD)&TV, SEC7		30
229	14ga	Yellow	6.5	NEG., LIGHT, BAR #1		78
230	14ga	Yellow	3	NEG., LIGHT, READING, #4		36
231	14ga	Blue	10	LIGHTS, M-C, SEC1		120
232	14ga	Blue	7.5	LIGHT, M-C #1		90
233	14ga	Blue	4	LIGHTS, M-C, SEC2		48
234	14ga	Blue	1	LIGHT, M-C #2		12
236	14ga	Blue	5.5	LIGHT, M-C #3		66
238	14ga	Blue	12.5	LIGHTS, GALLEY, SEC1		150
239	14ga	Blue	9.5	LIGHT, GALLEY #1		114
241	14ga	Blue	12.5	LIGHT, GALLEY #2		150
242	14ga	Blue	12.5	LIGHTS, Q-B, SEC1		150

**44 DECK HARNESS WIRE LIST**

REV. -C, 06/28/2005

<b>WIRE#</b>	<b>GAUGE</b>	<b>COLOR</b>	<b>FEET</b>	<b>DESCRIPTION</b>	<b>POINT TO POINT</b>	<b>INCHES</b>
243	14ga	Blue	11	LIGHT, Q-B, FLUORESCENT #1		132
245	14ga	Blue	16	LIGHT, Q-B, FLUORESCENT #2		192
247	14ga	Blue	12.5	LIGHTS, AFT, SEC1		150
248	14ga	Blue	5	LIGHTS, AFT, SEC2		60
249	14ga	Blue	4.5	LIGHT, AFT, HALAGON W/SW, #1		54
250	14ga	Blue	7	LIGHTS, AFT, SEC3		84
251	14ga	Blue	1.5	LIGHT, AFT, FLUORESCENT-HEAD		18
254	14ga	Blue	4	LIGHT, AFT, DOME-HEAD		48
255	14ga	Blue	23.5	LIGHTS, AFT, SEC5		282
256	14ga	Blue	2	LIGHT, AFT, READING, #5		24
257	14ga	Blue	5	LIGHT, AFT, DOME-EURO		60
258	14ga	Blue/Yellow	34	RANGEHOOD (+)		408
259	10ga	Yellow	12.5	NEG., LIGHTS&RANGEHOOD, SEC1		150
261	14ga	Yellow	3	NEG., LIGHTS&RANGEHOOD, SEC2		36
263	14ga	Yellow	1.5	NEG., LIGHT, M-C #1		18
264	14ga	Yellow	2	NEG., LIGHTS&RANGEHOOD, SEC3		24
265	14ga	Yellow	4.5	NEG., LIGHT, HALAGON W/SW, #1		54
266	14ga	Yellow	3	NEG., LIGHTS&RANGEHOOD, SEC4		36
267	14ga	Yellow	1.5	NEG., LIGHT, GALLEY #1		18
268	14ga	Yellow	2	NEG., LIGHTS&RANGEHOOD, SEC5		24
269	14ga	Yellow	1	NEG., LIGHT, Q-B FLUORESCENT #1		12
271	14ga	Yellow	2	NEG., LIGHTS&RANGEHOOD, SEC6		24
272	14ga	Yellow	1.5	NEG., LIGHT, FLUORESCENT-HEAD		18
273	14ga	Yellow	4	NEG., LIGHT, DOME-HEAD		48
274	14ga	Yellow	1.5	NEG., LIGHTS&RANGEHOOD, SEC7 (SPLIT)		18
275	14ga	Yellow	1	NEG., LIGHT, M-C #2		12
276	14ga	Yellow	4	NEG., LIGHTS&RANGEHOOD, SEC8		48
277	14ga	Yellow	1.5	NEG., LIGHT, M-C #3		18
278	14ga	Yellow	5.5	NEG., LIGHTS&RANGEHOOD, SEC9		66
279	14ga	Yellow	1.5	NEG., LIGHT, GALLEY #2		18
280	14ga	Yellow	1.5	NEG., LIGHTS&RANGEHOOD, SEC10		18
281	14ga	Yellow	5	NEG., RANGE HOOD (-)		60
282	14ga	Yellow	3.5	NEG., LIGHT, Q-B FLUORESCENT #2		42
283	14ga	Yellow	4	NEG., LIGHTS&RANGEHOOD, SEC11		48
285	14ga	Yellow	7	NEG., LIGHTS&RANGEHOOD, SEC12		84
286	14ga	Yellow	2	NEG., LIGHT, READING, #5		24
287	14ga	Yellow	5	NEG., LIGHT, DOME EURO		60
288	14ga	Blue	14.5	LIGHTS, STBD AFT, SEC1		174
289	14ga	Blue	2	LIGHT, STBD AFT, READING, #6		24
290	14ga	Blue	2	LIGHTS, STBD AFT, SEC2		24

**44 DECK HARNESS WIRE LIST**

REV. -C, 06/28/2005

<b>WIRE#</b>	<b>GAUGE</b>	<b>COLOR</b>	<b>FEET</b>	<b>DESCRIPTION</b>	<b>POINT TO POINT</b>	<b>INCHES</b>
291	14ga	Blue	1.5	LIGHT, STBD AFT, READING, #7		18
293	14ga	Blue	12.5	LIGHT, STBD AFT, DOME, #4		150
294	14ga	Gray/Yellow	21.5	STERN/COMPASS LIGHT SEC1		258
295	14ga	Gray/Yellow	3	STERN LIGHT		36
296	14ga	Gray/Yellow	12.5	COMPASS LIGHT		150
297	14ga	Red	17	STEREO, COCKPIT (+)		204
298	14ga	Yellow/Red	17	STEREO, COCKPIT MEMORY		204
299	16ga	Blue/White	17	LIGHT, ARCH		204
301	16ga	Red	19.5	IGNITION SW RELAY		234
302	8ga	Red	30.5	AUTO PILOT DRIVE (+)		366
303	8ga	Yellow	30.5	AUTO PILOT DRIVE (-)		366
304	14ga	Red	30.5	AUTO PILOT CLUTCH (+)		366
305	14ga	Yellow	30.5	AUTO PILOT CLUTCH (-)		366
306	RG6QS	Coax	2	SPLITTER OPTION, CABLE LEAD, #2		24
307	RG6QS	Coax	18	FROM INLET, CABLE LEAD, #3		216
308	RG6QS	Coax	20.5	AFT TV CABLE LEAD, #4		246
309	10ga	Yellow	15.5	NEG., STBD AFT, SEC1		186
310	14ga	Yellow	2	NEG., LIGHT, READING, #6		24
311	14ga	Yellow	1	NEG., STBD AFT, SEC2		12
312	14ga	Yellow	1.5	STEREO, COCKPIT (-)		18
313	14ga	Yellow	1	NEG., STBD AFT, SEC3		12
314	14ga	Yellow	1.5	NEG., LIGHT, READING, #7		18
315	14ga	Yellow	10.5	NEG., STBD AFT, SEC4		126
316	16ga	Yellow	3	NEG., STERN LIGHT		36
318			0			0
319	14ga	Yellow	2	NEG., LIGHT, DOME, #3		24
320	14ga	Yellow	7	NEG., COMPASS LIGHT		84
321	16ga	White/Red	13.5	SPEAKER, V-B, LEFT (+)		162
322	16ga	White/Yellow	13.5	SPEAKER, V-B, LEFT (-)		162
323	16ga	White/Blue	13	SPEAKER, V-B, RIGHT (+)		156
324	16ga	White/Black	13	SPEAKER, V-B, RIGHT (-)		156
325	14ga	Blue	11	LIGHTS, V-B FLUORESCENT		132
329	16ga	Gray/Red	9	ANCHOR LIGHT		108
330	16ga	Gray/Green	9	STEAMING LIGHT		108
331	16ga	Gray	9	DECK LIGHT		108
332	RG6QS	Coax	9	MAST ANT CABLE, #5		108
334	12ga	Yellow	7	NEG., LIGHT, FLUORESCENT, #12		84
335			0			0
336	10ga	Yellow	9	NEG., MAST LIGHTS		108
337			0			0

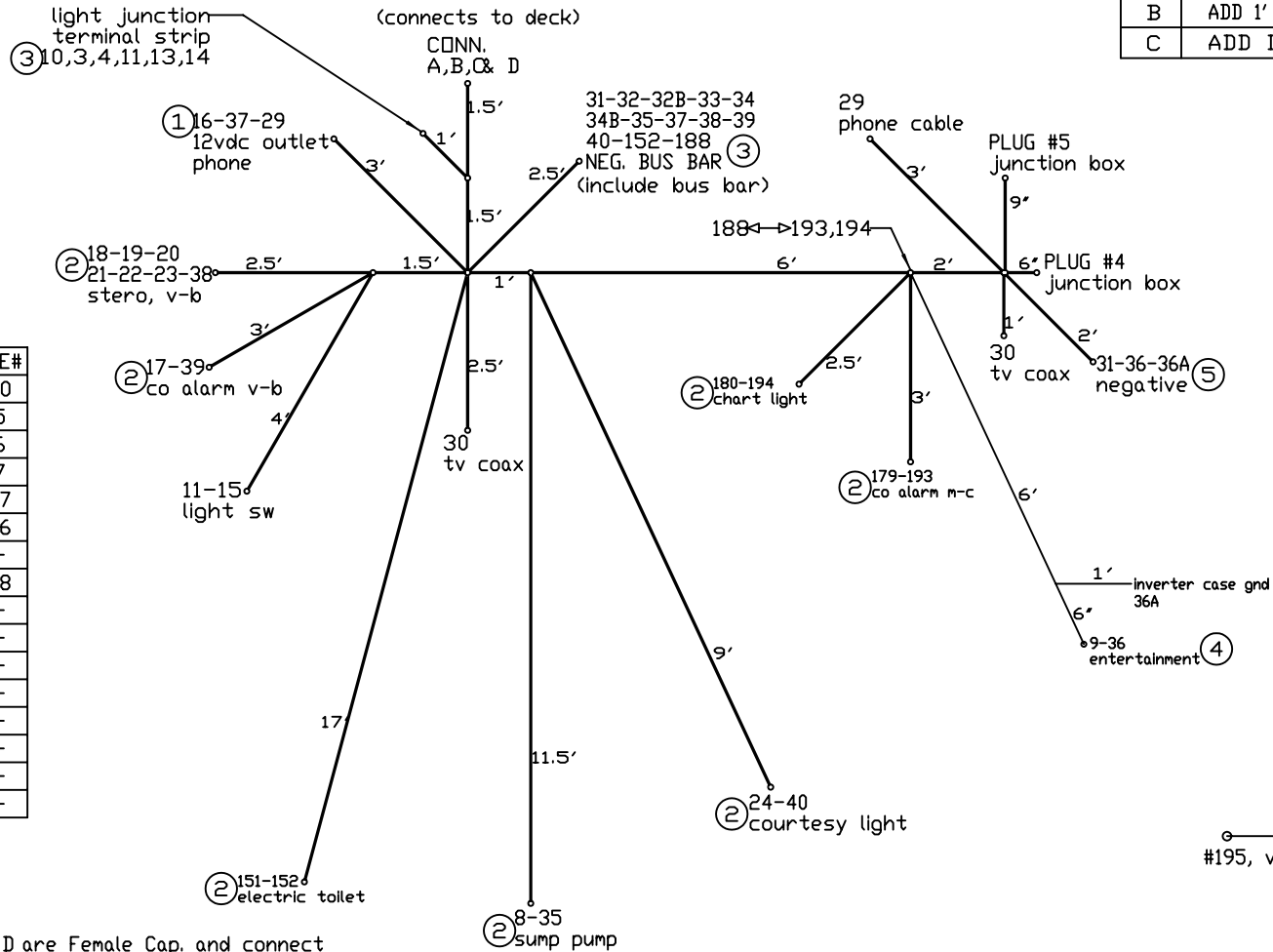
**44 DECK HARNESS WIRE LIST**

REV. -C, 06/28/2005

<b>WIRE#</b>	<b>GAUGE</b>	<b>COLOR</b>	<b>FEET</b>	<b>DESCRIPTION</b>	<b>POINT TO POINT</b>	<b>INCHES</b>
351	14ga	Red	15.5	STEREO, COCKPIT, (+)		186
352	14ga	Yellow/Red	15.5	STEREO, COCKPIT, MEMORY		186
353	16ga	Blue/White	3.5	LIGHT, ARCH		42
354	16ga	White/Pink	16	SPEAKER, TO ARCH, LEFT (+)		192
355	16ga	White/Yellow	16	SPEAKER, TO ARCH, LEFT (-)		192
356	16ga	White/Gray	16	SPEAKER, TO ARCH, RIGHT (+)		192
357	16ga	White/Black	16	SPEAKER, TO ARCH, RIGHT (-)		192
358	14ga	Yellow	1.5	NEG.. STEREO/LIGHT, SEC1		18
359	14ga	Yellow	14	NEG., STEREO, ARCH		168
360	16ga	Yellow	2	NEG., LIGHT, ARCH		24
361	16ga	Yellow/Brown	20.5	HW RELAY SW		246
362	16ga	Brown/Red	20.5	HW ALARM IND.		246
363	16ga	Yellow	21.5	HW ALARM NEG.		258
365	12ga	Red/Black	34	GPS/CHARTPLOTTER		408
370	12ga	Yellow	35	GPS/CHARTPLOTTER NEG.		420

HARNESS LOCATION - FWD STBD SIDE

SYMBOL	REVISIONS	DATE	ENG
A	Add 34B for mast lights neg. Add 32B for bow light neg.	12/01/2003	JLK
B	ADD 1' NEAR BEGINNING OF HARNESS	2/14/2005	JLK
C	ADD INVERTER CASE GROUND	11/18/2005	JLK



PLUG#4	WIRE#	PLUG#5	WIRE#
1	#9	1	#10
2	#180	2	#5
3	#179	3	#6
4	--	4	#7
5	--	5	#27
6	#17	6	#26
7	--	7	--
8	#16	8	#28
9	#18	9	--
10	#8	10	--
11	#2	11	--
12	#1	12	--
13	#19	13	--
14	#24	14	--
15	#151	15	--
16	#25	16	--

NOTE: Connectors A, B, C & D are Female Cap. and connect with matching deck harness connectors.

CONN. A	WIRE#	CONN. B	WIRE#	CONN. C	WIRE#	CONN. D	WIRE#
1	#1	1	#26	1	#15	1	#20
2	#2	2	#27	2	#14	2	#21
3	#13	3	#28	3	#5	3	#22
4	#25	4	#3	4	#6	4	#23
5	#32	5	#4	5	#7		
6	#32B	6	#33	6	#34		
				7	#34B		
				8			
				9			


LEGEND - TERMINAL TYPE

- 1 - .250 QUICK CONNECTOR
- 2 - BARREL
- 3 - #10 RING
- 4 - 1/4" RING
- 5 - 5/16" RING
- 6 - 3/8" RING
- 7 - BULLET PLUGS

TV Coax=RG6QS W/Type 'F' Connectors

PART 1

PROPRIETARY INFORMATION THIS DRAWING CONTAINS INFORMATION FOR WHICH HUNTER MARINE CORPORATION HAS PROPRIETARY RIGHTS



HUNTER 426/44

DRAWING TITLE:  
*DC HULL HARNESS, THIRD EDITION*

DRAWN BY: *JLK*      DATE: *18-Aug-03*      SHEET *1* OF *3*

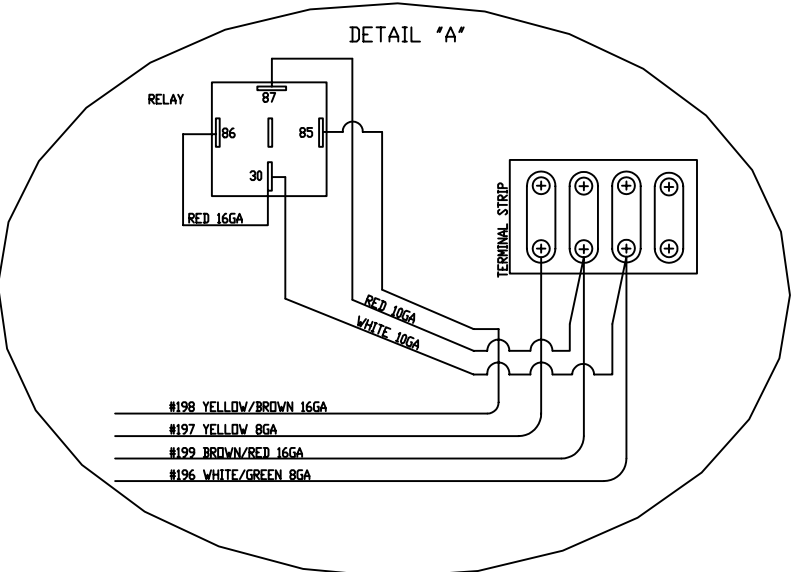
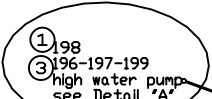
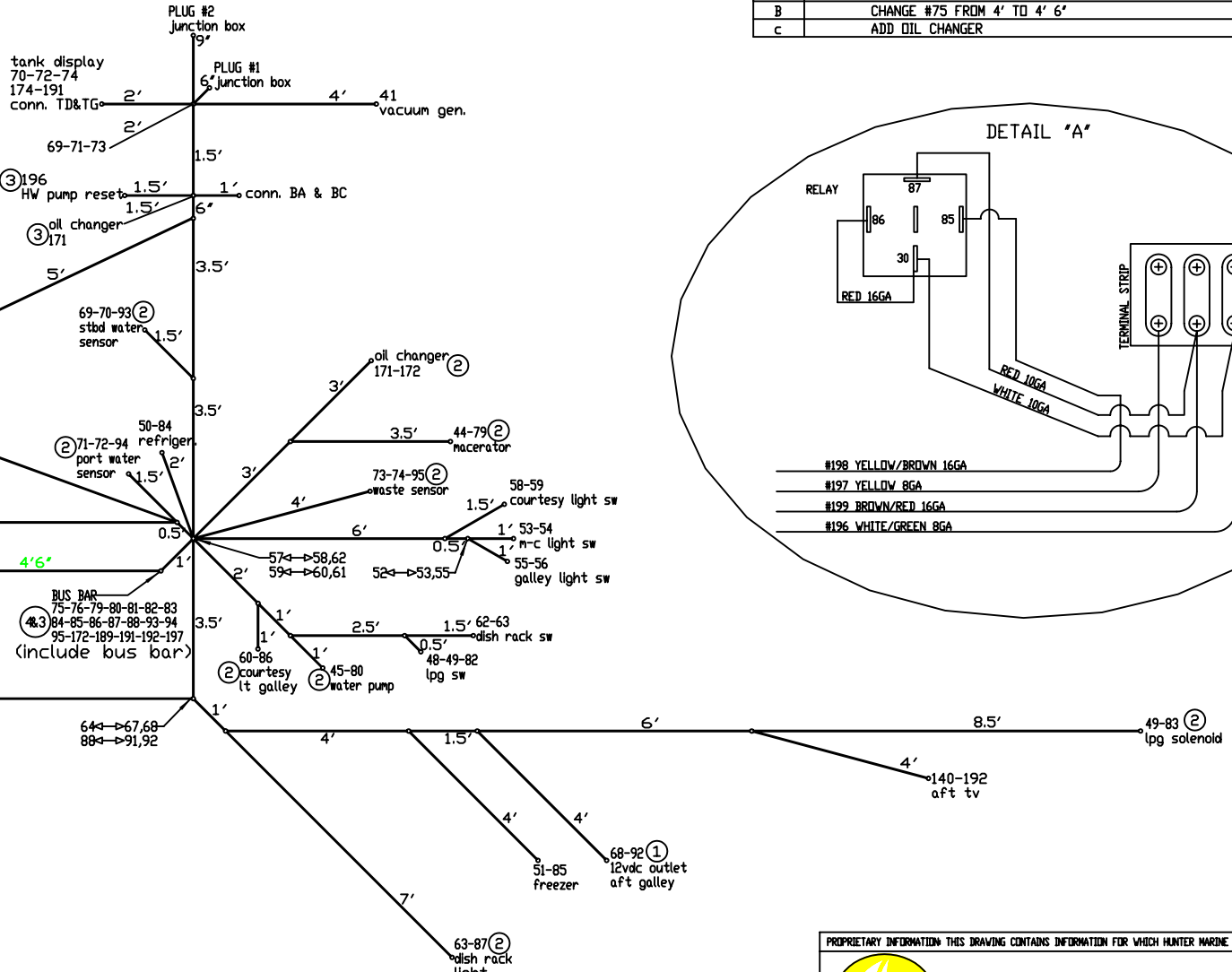
SCALE: *0.038*      HUNTER PART NO.      REVISION      DRAW # *42651015B*

CHECKED

HARNES LOCATION - TO PORT SIDE

LEGEND - TERMINAL TYPE

- 1 - 250 QUICK CONNECTOR
- 2 - BARREL
- 3 - #10 RING
- 4 - 1/4" RING
- 5 - 5/16" RING
- 6 - 3/8" RING
- 7 - BULLET PLUGS



SYMBOL	REVISIONS	DATE	ENG
A	UPDATE TANK DISPLAY CONNECTORS AND WIRES	11/11/04	JLK
B	CHANGE #75 FROM 4' TO 4' 6"	3/17/05	JLK
C	ADD OIL CHANGER	6/30/05	JLK

PLUG#1	WIRE#	PLUG#2	WIRE#
1	#51	1	#52
2	--	2	#57
3	--	3	#61
4	--	4	#56
5	--	5	#54
6	#170	6	--
7	#44	7	#45
8	#141	8	--
9	--	9	#64
10	#175	10	#50
11	#176	11	--
12	#184	12	#140
13	#199	13	--
14	#198	14	--
15	#47	15	--
16	--	16	--

CONNECTOR 'TD'=Deutsch male housing w/female pins DT 8-pin  
 CONNECTOR 'TG'=Deutsch male housing w/female pins DT 2-pin

CONN. TD	WIRE#	CONN. TG	WIRE#
1	--	1	#174
2	#72	2	#191
3	--		
4	#70		
5	--		
6	--		
7	#74		
8	--		

CONNECTOR 'BA'=Deutsch male DTP 4-pin.  
 CONNECTOR 'BC'=Deutsch male DT 6-pin.

CONN. BA	WIRE#	CONN. BC	WIRE#
1	#184	1	#170
2	#175	2	#174
3	#148	3	#48
4	#46	4	#141
		5	#189
		6	#176

PART 2

PROPRIETARY INFORMATION THIS DRAWING CONTAINS INFORMATION FOR WHICH HUNTER MARINE CORPORATION HAS PROPRIETARY RIGHTS

# HUNTER 426/44

DRAWING TITLE:  
**DC HULL HARNESS, THIRD EDITION**

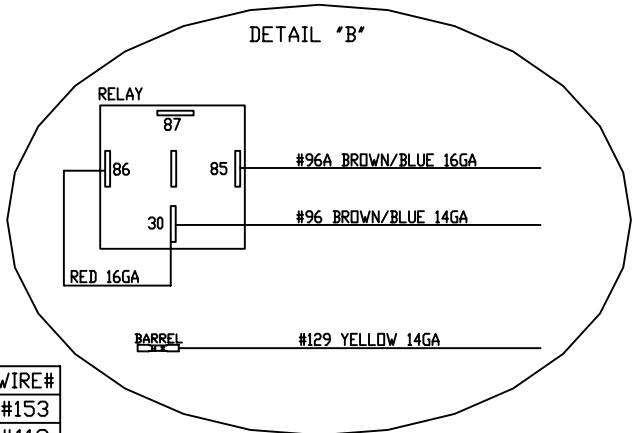
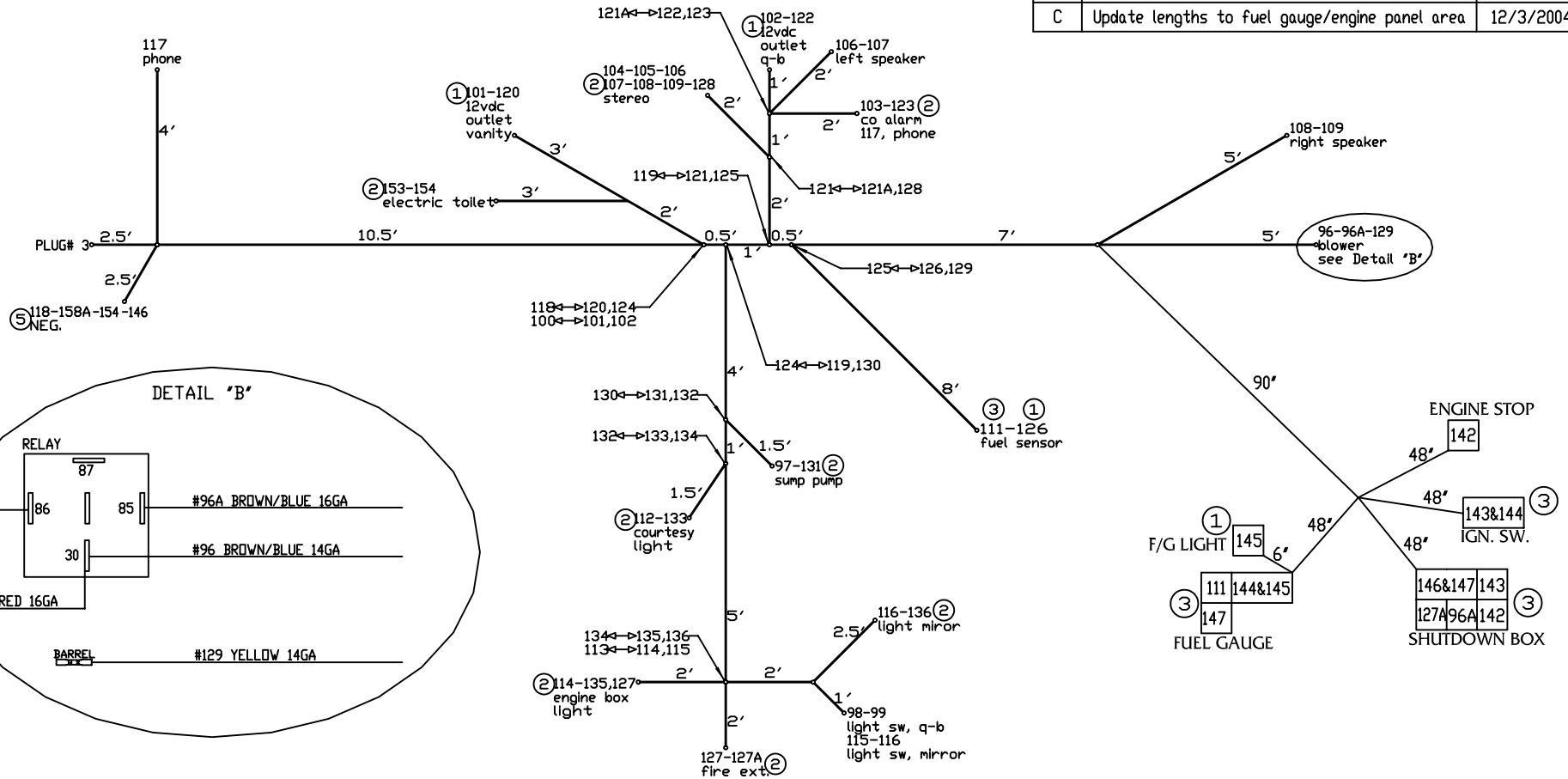
DRAWN BY: **JLK**      DATE: **18-Aug-03**      SHEET **2** OF **3**

SCALE: **0.050**      HUNTER PART NO. **TBD**      REVISION      DRAW # **42651015B**

CHECKED

HARNESS LOCATION - TO AFT STBD SIDE

SYMBOL	REVISIONS	DATE	ENG
A	ADD NEW GAUGE SYSTEM AND OTHER ITEMS TO HELM.	5/11/2004	JLK
B	Updated terminal at Fuel Gauge.	6/23/2004	JLK
C	Update lengths to fuel gauge/engine panel area	12/3/2004	JLK



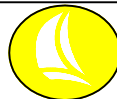
PLUG#3	WIRE#
1	#153
2	#112
3	#113
4	#98
5	#99
6	--
7	#97
8	#104
9	#105
10	--
11	#100
12	--
13	--
14	#103
15	#96
16	--

- LEGEND - TERMINAL TYPE
- 1 - .250 QUICK CONNECTOR
  - 2 - BARREL
  - 3 - #10 RING
  - 4 - 1/4" RING
  - 5 - 5/16" RING
  - 6 - 3/8" RING
  - 7 - BULLET PLUGS

CHECKED

PART 3

PROPRIETARY INFORMATION THIS DRAWING CONTAINS INFORMATION FOR WHICH HUNTER MARINE CORPORATION HAS PROPRIETARY RIGHTS



**HUNTER 426/44**

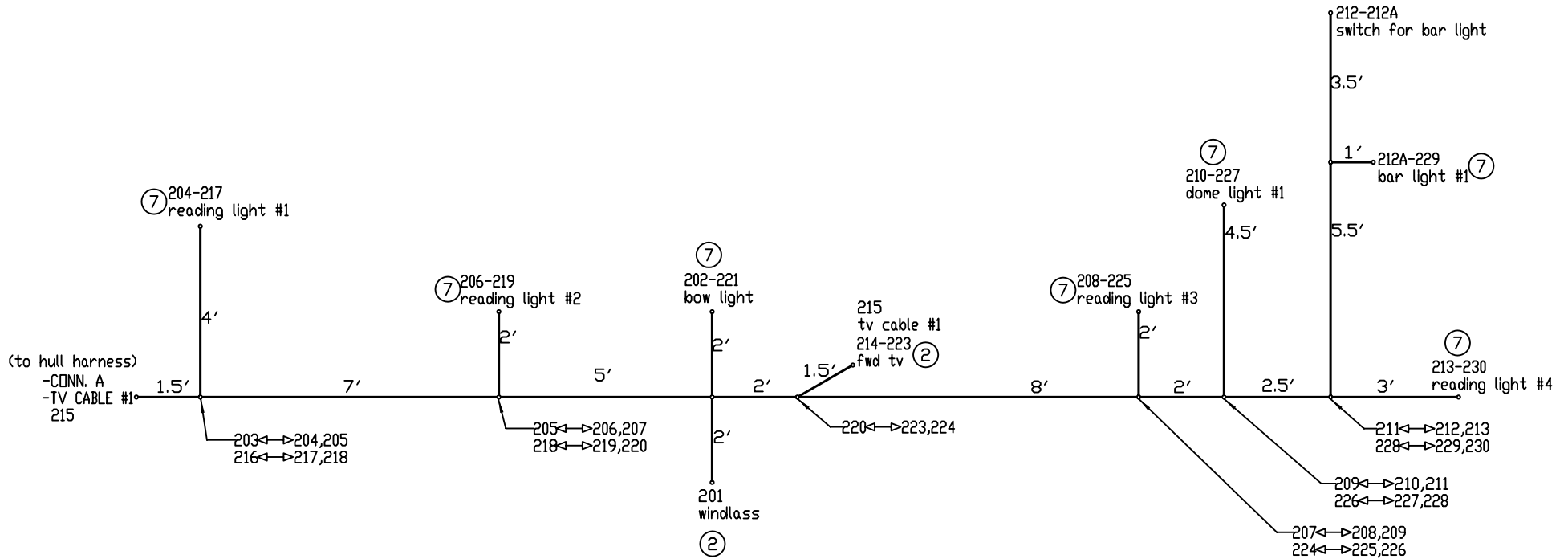
DRAWING TITLE: DC HULL HARNESS, SECOND EDITION

DRAWN BY: JLK DATE: 18-Aug-03 SHEET 3 OF 3

SCALE: 0.010 HUNTER PART NO. TBD REVISION DRAW # 42651015B

RUN LOCATION - FROM V-B STBD LOCKER, FWD TO BOW AND THEN BACK ON PORT SIDE.

SYMBOL	REVISIONS	DATE	ENG
A	Add #221 to connector "A" and wire size 14. Eliminate #222.	12/01/2003	JLK



NOTE: Connector A = Male CAP  
TV Coax Cable = RG6QS W/Male type 'F' connectors.

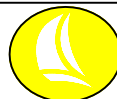
PART 1

CONN. A	WIRE #
1	#201
2	#202
3	#203
4	#214
5	#216
6	#221

LEGEND - TERMINAL TYPE

- 1 - .250 QUICK CONNECTOR
- 2 - BARREL
- 3 - #10 RING
- 4 - 1/4" RING
- 5 - 5/16" RING
- 6 - 3/8" RING
- 7 - BULLET PLUGS

PROPRIETARY INFORMATION THIS DRAWING CONTAINS INFORMATION FOR WHICH HUNTER MARINE CORPORATION HAS PROPRIETARY RIGHTS.



**HUNTER 426/44**

DRAWING TITLE: **DECK HARNESS, THIRD EDITION**

DRAWN BY: **JLK**      DATE: **25-Aug-03**      SHEET **1** OF **4**

SCALE: **0.031**      HUNTER PART NO. **TBD**      REVISION      DRAW # **42651016B**

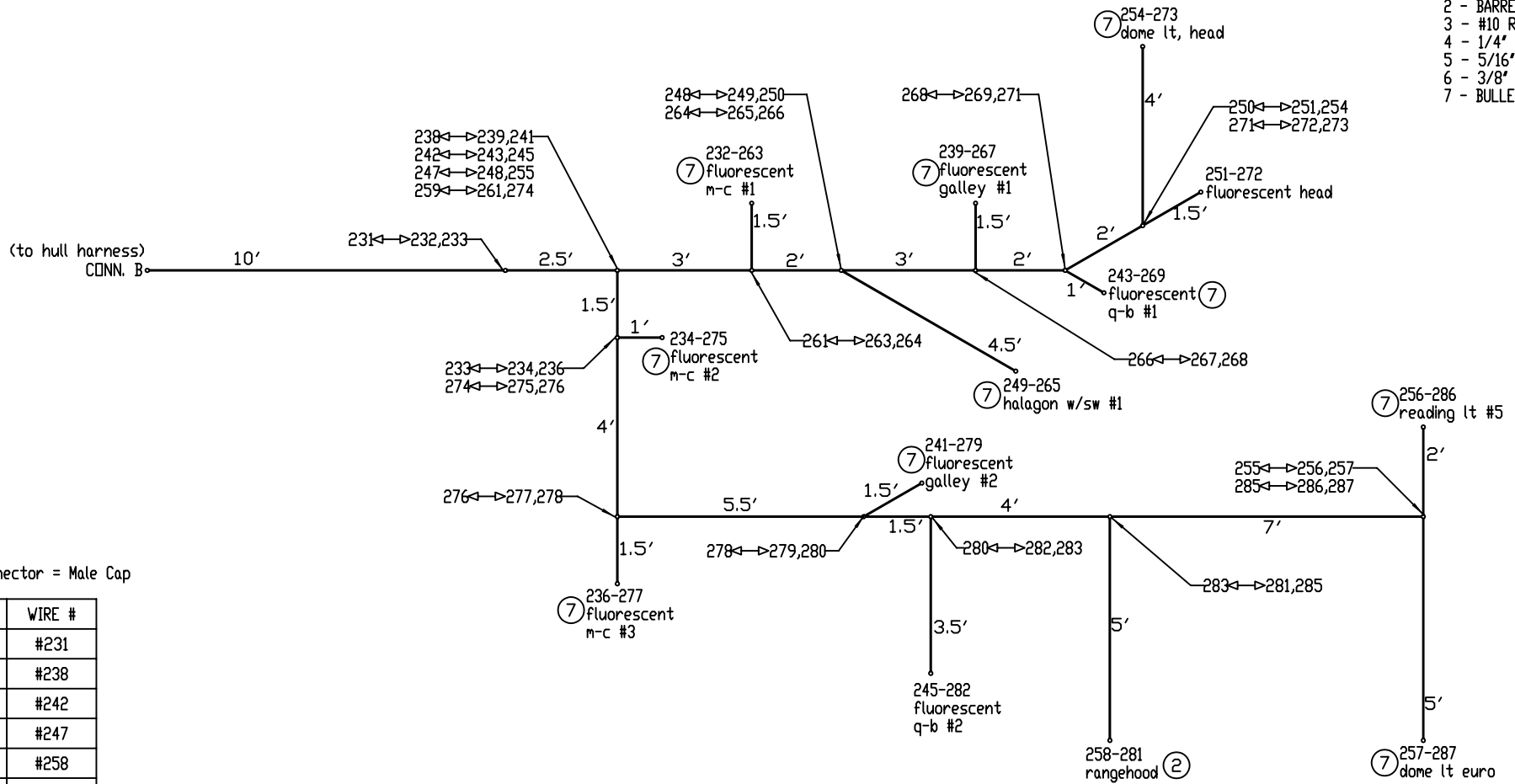
CHECKED



RUN LOCATION - FROM V-B STBD LOCKER, TO MAIN SALON, GALLEY, AFT HEAD AND AFT CABIN.

LEGEND - TERMINAL TYPE

- 1 - .250 QUICK CONNECTOR
- 2 - BARREL
- 3 - #10 RING
- 4 - 1/4" RING
- 5 - 5/16" RING
- 6 - 3/8" RING
- 7 - BULLET PLUGS

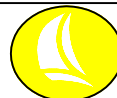


NOTE: Connector = Male Cap

CONN. B	WIRE #
1	#231
2	#238
3	#242
4	#247
5	#258
6	#259

PART 2

PROPRIETARY INFORMATION THIS DRAWING CONTAINS INFORMATION FOR WHICH HUNTER MARINE CORPORATION HAS PROPRIETARY RIGHTS



**HUNTER** 426/44

DRAWING TITLE:  
DECK HARNESS, THIRD EDITION

DRAWN BY: *JLK* DATE: *25-Aug-03* SHEET *2* OF *4*

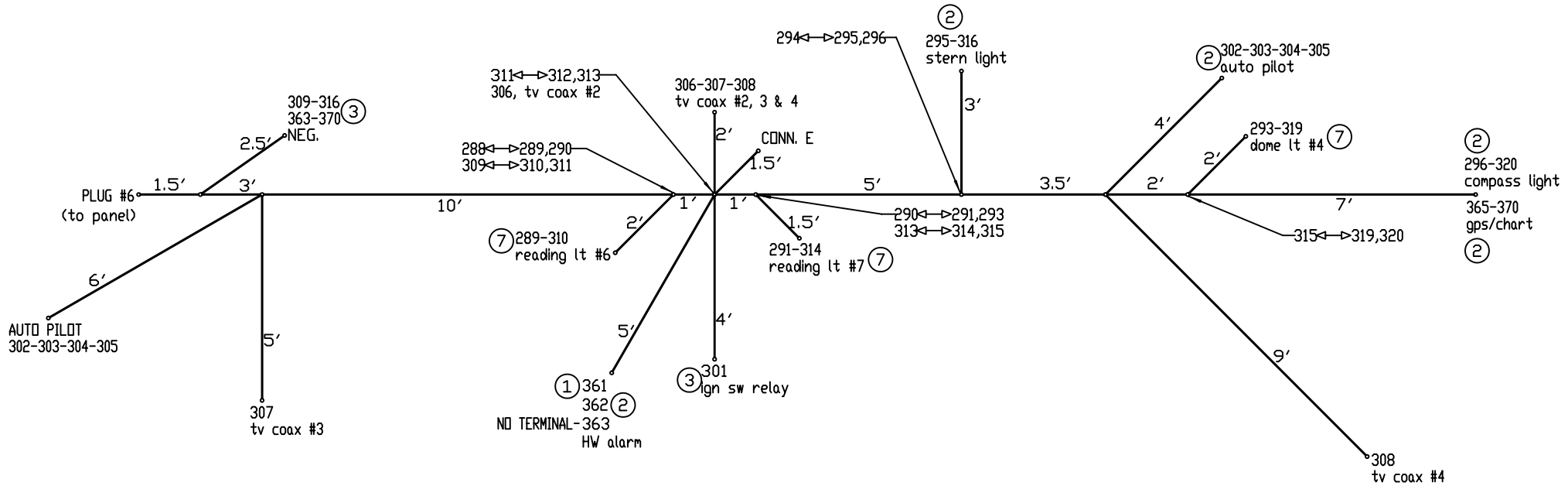
SCALE: *0.031* HUNTER PART NO. *TBD* REVISION DRAW # *42651016B*

CHECKED

SYMBOL	REVISIONS	DATE	ENG

RUN LOCATION - FROM MDP TO STBD AFT

SYMBOL	REVISIONS	DATE	ENG
A	Add #316 to NEG. Bus. Delete #318.	12/01/2003	JLK
B	Delete wires that were added to hull part 3.	05/11/2004	JLK
C	Updated terminals at HW alarm.	06/23/2004	JLK
D	Change connector 'E' to Deutsch	10/25/2004	JLK



PLUG#6	WIRE#
1	--
2	--
3	#288
4	#301
5	#361
6	#362
7	--
8	--
9	#294
10	--
11	#297
12	#298
13	#365
14	#299
15	--
16	--

TV Coax = RG6QS W/Type 'F' Connectors

NOTE: Connector E = Deutsch DT Series  
Male Housing W/Female pins


CONN. E	WIRE #
1	#297
2	#298
3	#299
4	#312

LEGEND - TERMINAL TYPE

- 1 - .250 QUICK CONNECTOR
- 2 - BARREL
- 3 - #10 RING
- 4 - 1/4" RING
- 5 - 5/16" RING
- 6 - 3/8" RING
- 7 - BULLET PLUGS

PART 3

PROPRIETARY INFORMATION THIS DRAWING CONTAINS INFORMATION FOR WHICH HUNTER MARINE CORPORATION HAS PROPRIETARY RIGHTS



**HUNTER** 426/44

DRAWING TITLE:  
**DECK HARNESS, THIRD EDITION**

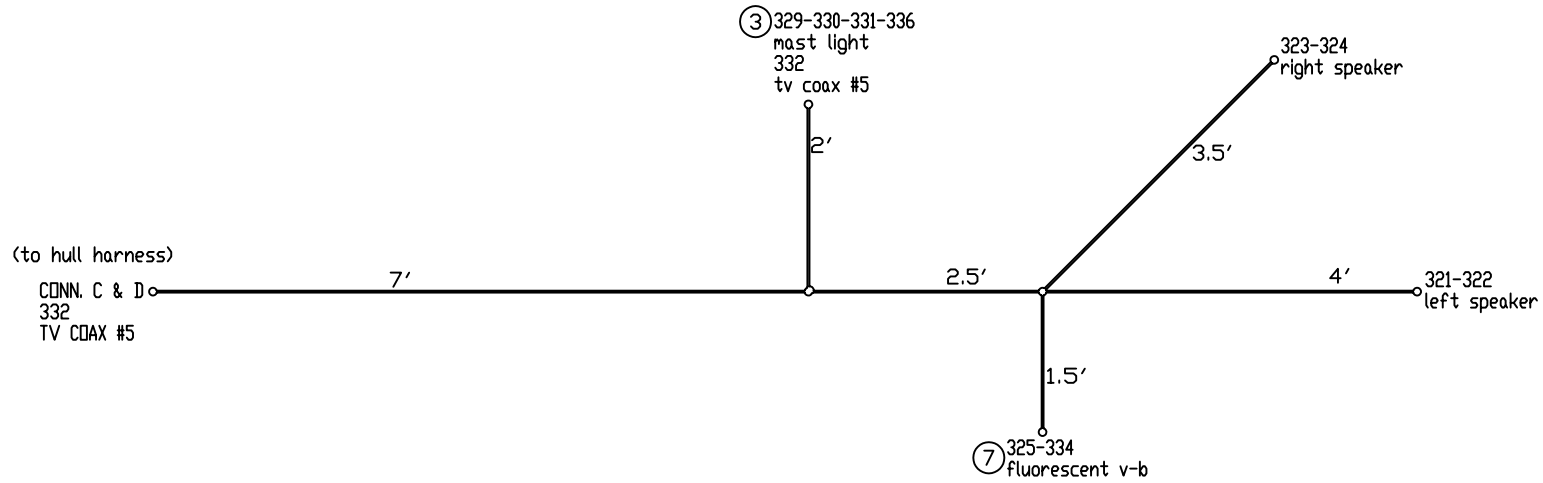
DRAWN BY: *JLK*      DATE: *25-Aug-03*      SHEET: *3*      OF: *4*

SCALE: *0.012*      HUNTER PART NO: *TBD*      REVISION:      DRAW # *42651016B*

CHECKED

RUN LOCATION - FROM V-B STBD LOCKER, TO V-B AND MAST POST.

SYMBOL	REVISIONS	DATE	ENG
A	Update connector letters for F & G to C&D #336 runs to connector 'C'.	12/01/2003	JLK



NOTE: Connector C & D = Male Cap  
TV Coax = RG6QS W/Type 'F' Connectors


CONN.C	WIRE #	CONN.D	WIRE#
1	#325	1	#321
2	#328	2	#322
3	#329	3	#323
4	#330	4	#324
5	#331		
6	#334		
7	#336		
8			
9			

LEGEND - TERMINAL TYPE

- 1 - .250 QUICK CONNECTOR
- 2 - BARREL
- 3 - #10 RING
- 4 - 1/4" RING
- 5 - 5/16" RING
- 6 - 3/8" RING
- 7 - BULLET PLUGS

PART 4

PROPRIETARY INFORMATION THIS DRAWING CONTAINS INFORMATION FOR WHICH HUNTER MARINE CORPORATION HAS PROPRIETARY RIGHTS



**HUNTER 426/44**

DRAWING TITLE: DECK HARNESS, THIRD EDITION

DRAWN BY: JLK      DATE: 25-Aug-03      SHEET 4 OF 4

SCALE: 0.012      HUNTER PART NO. TBD      REVISION      DRAW # 42651016B

CHECKED

SYMBOL	REVISIONS	DATE	ENG
A	Update connector for arch.	12/05/2003	JLK



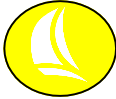
NOTE: Connector E = Deutsch DT series - Female housing w/Male pins  
 'ARCH' = Deutsch DT series, Male Pins w/female housing

CONN. E	WIRE #	CONN. ARCH	WIRE #
1	#351	1	#353
2	#352	2	#360
3	#353	3	#354
4	#358	4	#355
		5	#356
		6	#357

LEGEND - TERMINAL TYPE

- 1 - .250 QUICK CONNECTOR
- 2 - BARREL
- 3 - #10 RING
- 4 - 1/4" RING
- 5 - 5/16" RING
- 6 - 3/8" RING
- 7 - BULLET PLUGS

PROPRIETARY INFORMATION THIS DRAWING CONTAINS INFORMATION FOR WHICH HUNTER MARINE CORPORATION HAS PROPRIETARY RIGHTS



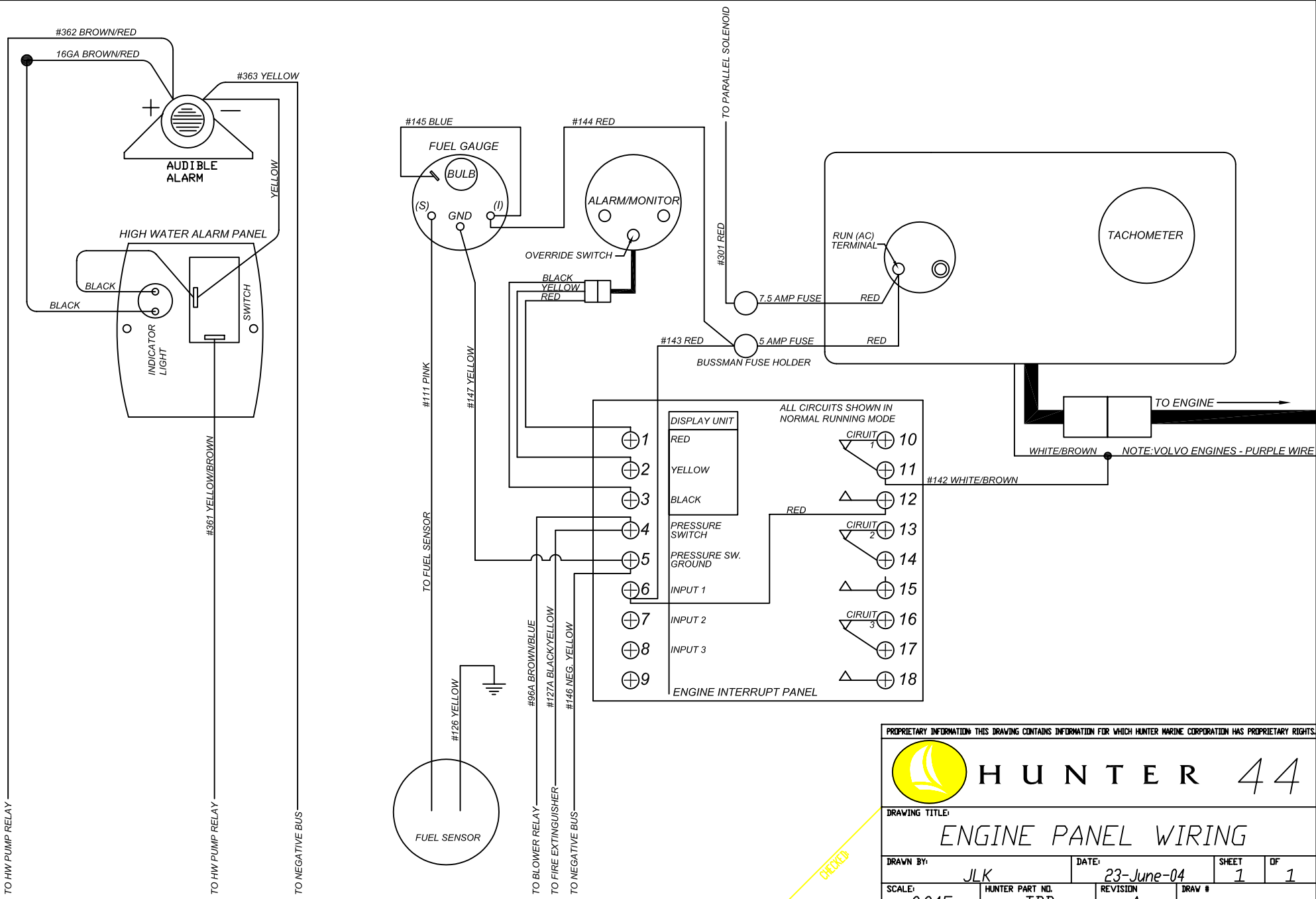
**HUNTER 426/44**

DRAWING TITLE: *COCKPIT STEREO HARNESS*

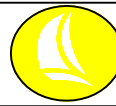
DRAWN BY: *JLK*      DATE: *30-Jun-02*      SHEET *1* OF *1*

SCALE: *0.050*      HUNTER PART NO. *TBD*      REVISION      DRAW # *42651027*

CHECKED

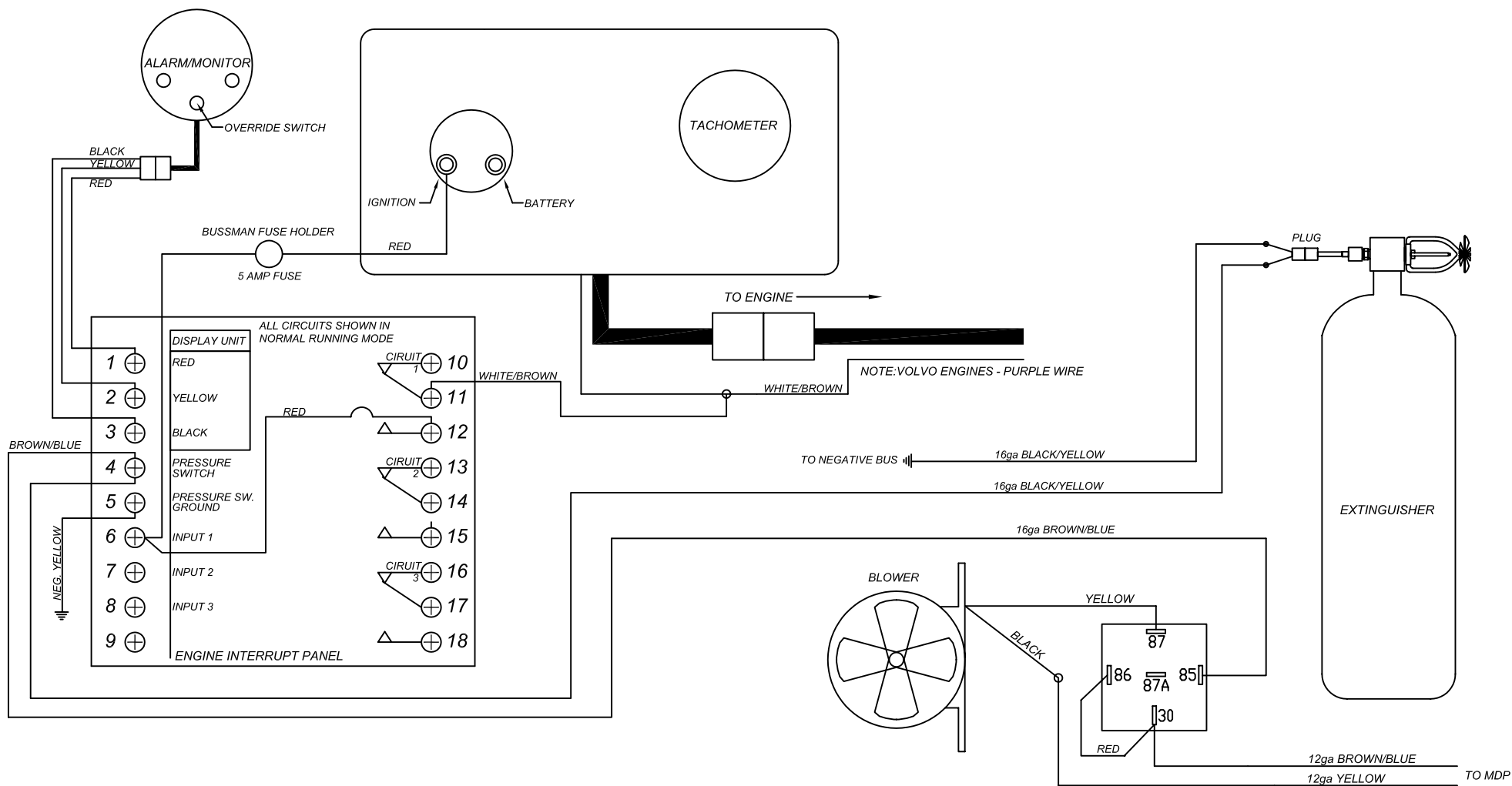


PROPRIETARY INFORMATION THIS DRAWING CONTAINS INFORMATION FOR WHICH HUNTER MARINE CORPORATION HAS PROPRIETARY RIGHTS.



HUNTER 44

DRAWING TITLE:			
ENGINE PANEL WIRING			
DRAWN BY:	DATE:	SHEET	OF
JLK	23-June-04	1	1
SCALE:	HUNTER PART NO.	REVISION	DRAW #
0.045	TBD	A	-----



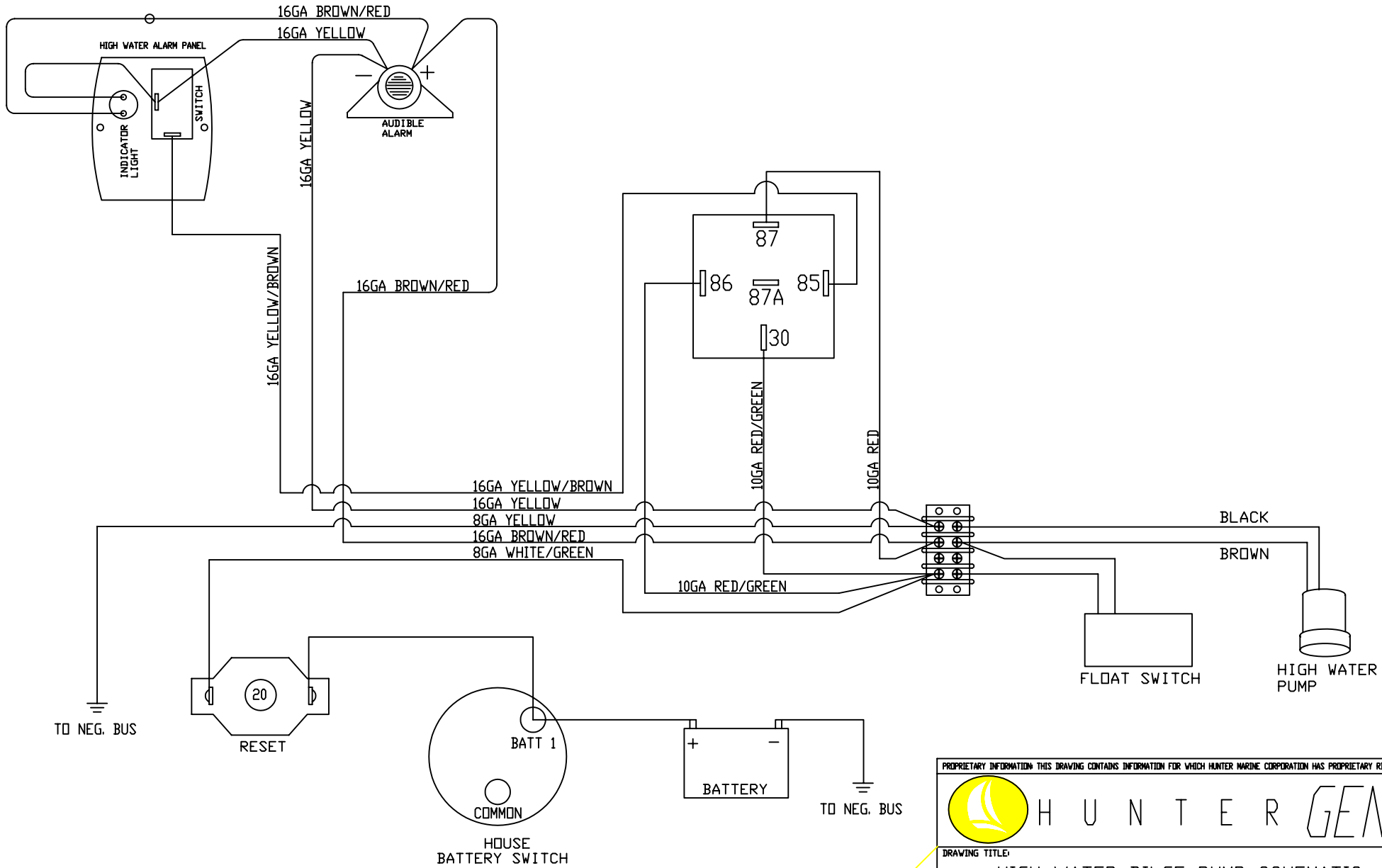
PROPRIETARY INFORMATION THIS DRAWING CONTAINS INFORMATION FOR WHICH HUNTER MARINE CORPORATION HAS PROPRIETARY RIGHTS.



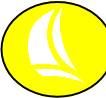
HUNTER 41

DRAWING TITLE: <i>AUTOMATIC FIRE EXTINGUISHER SCHEMATIC</i>			
DRAWN BY: <i>JLK</i>	DATE: <i>12-Aug-03</i>	SHEET <i>1</i>	OF <i>1</i>
SCALE: <i>0.045</i>	HUNTER PART NO. <i>TBD</i>	REVISION <i>A</i>	DRAW # -----

SYMBOL	REVISIONS	DATE	ENG



PROPRIETARY INFORMATION THIS DRAWING CONTAINS INFORMATION FOR WHICH HUNTER MARINE CORPORATION HAS PROPRIETARY RIGHTS



H U N T E R G E N

DRAWING TITLE:  
HIGH WATER BILGE PUMP SCHEMATIC

DRAWN BY: JLK	DATE: 2/03/2003	SHEET	OF
SCALE:	HUNTER PART NO.	REVISION	DRAW #

CHECKED