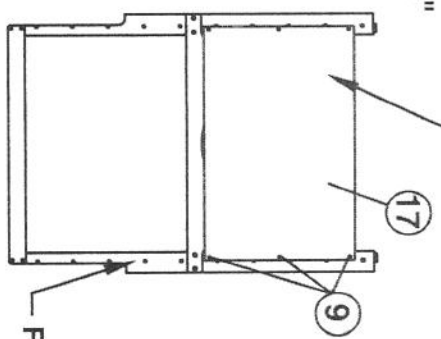
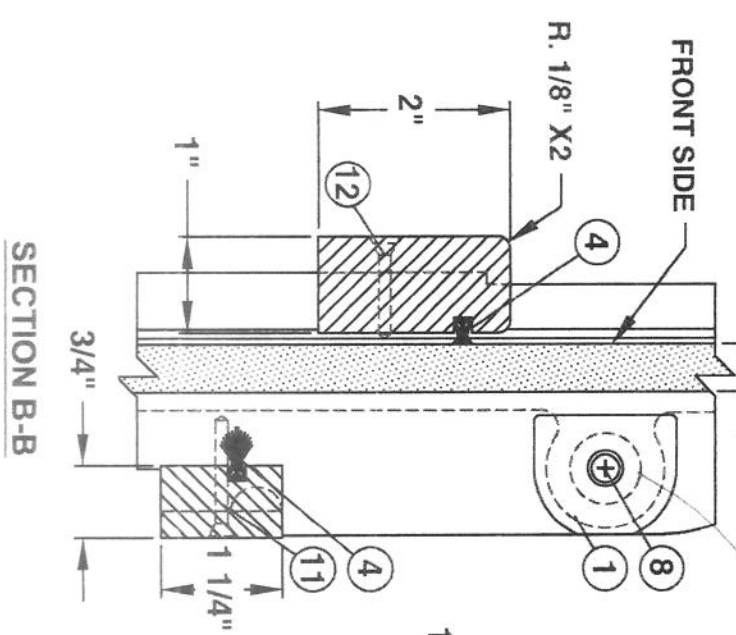
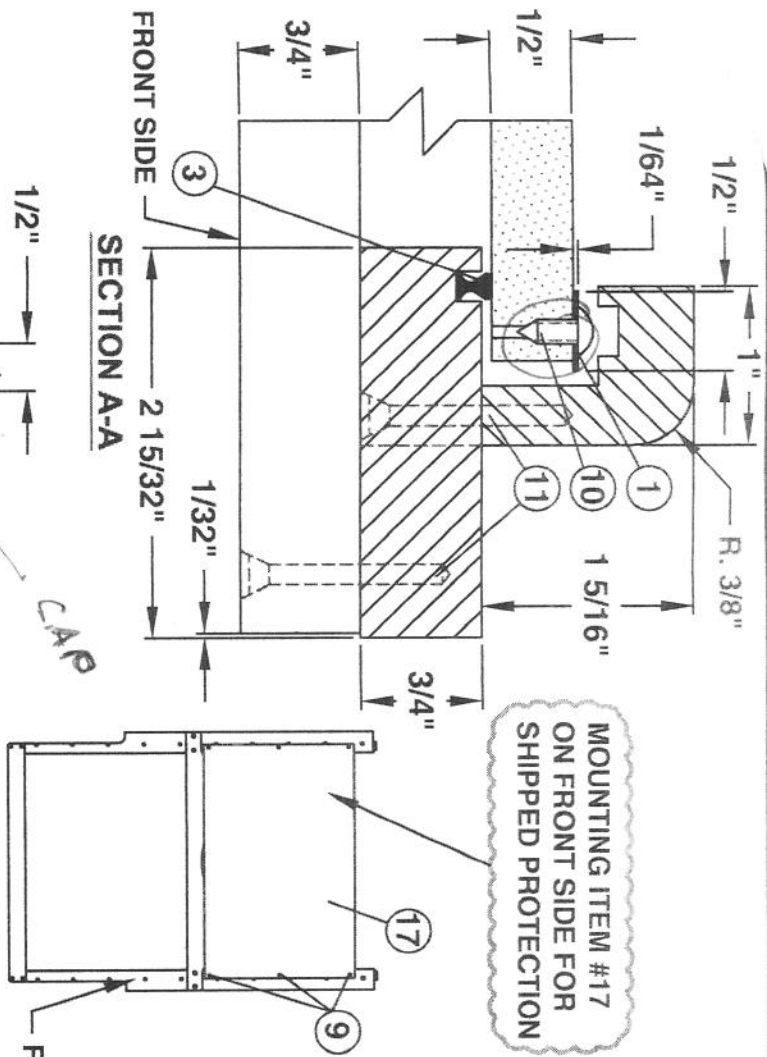
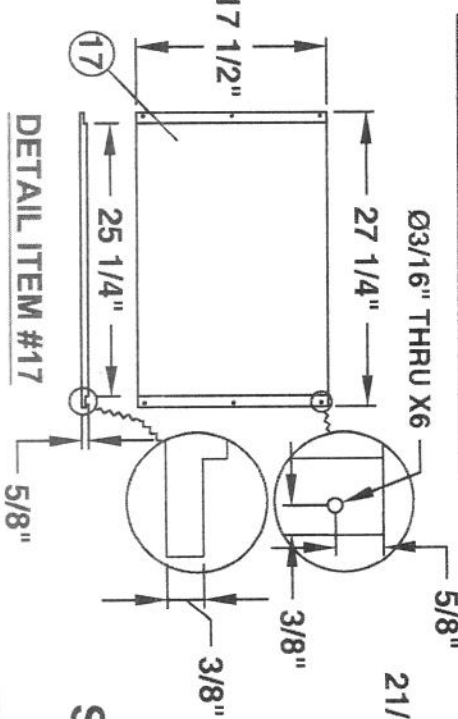


**PART LIST**

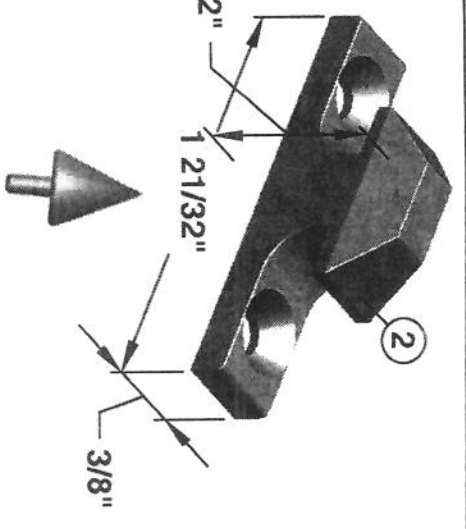
IT#	QTY	PART #	DESCRIPTION	BIN#
1	2	060-3082	H408S CONSTANT FORCE SPRING	P-32
2	1	068-2999	MF-01-310-24 OVAL FLUSH LOCK	P-22
3	2	076-3152	WEATHER STRIPPING BLACK HAIRY SEAL L 42"	
4	2	076-3152	WEATHER STRIPPING BLACK HAIRY SEAL L 26"	
5	6	116-0003	8-32 X 3/8" FLATHEAD BARREL NUT	L-7
6	6	116-0116	8-32 X 3/8" FLATHEAD MACHINE BOLT	L-37
7	4	116-0600	#6 X 1/2" F.H. SCREW	J-9
8	2	116-0601	#6 X 3/4" F.H. SCREW	M-16
9	6	116-0615	#6 X 3/4" T.H. SCREW	J-24
10	2	116-0616	#6 X 3/8" T.H. SCREW	J-25
11	24	116-0800	#8 X 1-1/4" F.H. SCREW	J-34
12	4	116-0803	#8 X 1" F.H. SCREW	J-37
13	2	064-2982	LATCH ASSEMBLY	
14	1	128-1049	PMP0008 LEFT BRACKET	P-34
15	1	128-1048	PMP0007 RIGHT BRACKET	P-33
16	2	064-2981	LATCH SPRING	
17	1	***-****	5/8" PLYWOOD 17 1/2" X 27 1/4" (SHIPPED PROTECTION PART)	



**DETAIL MOUNTING ITEM #17**



**SHIPPED LOOSE PART SHEET 2 OF 6**



**COMPANY NAME:**  
**HUNTER MARINE**

**MODEL:**  
**45**

**TITLE:**  
**DOOR DROP-DOWN**

**COMPANY PART #:**  
**88181-20-18342**

**DATE:** 4/27/2006

**CAD/CAM #:** HNT185-188, 189A, 190, 191

**DRAWN BY:** IURII CHICHENKO

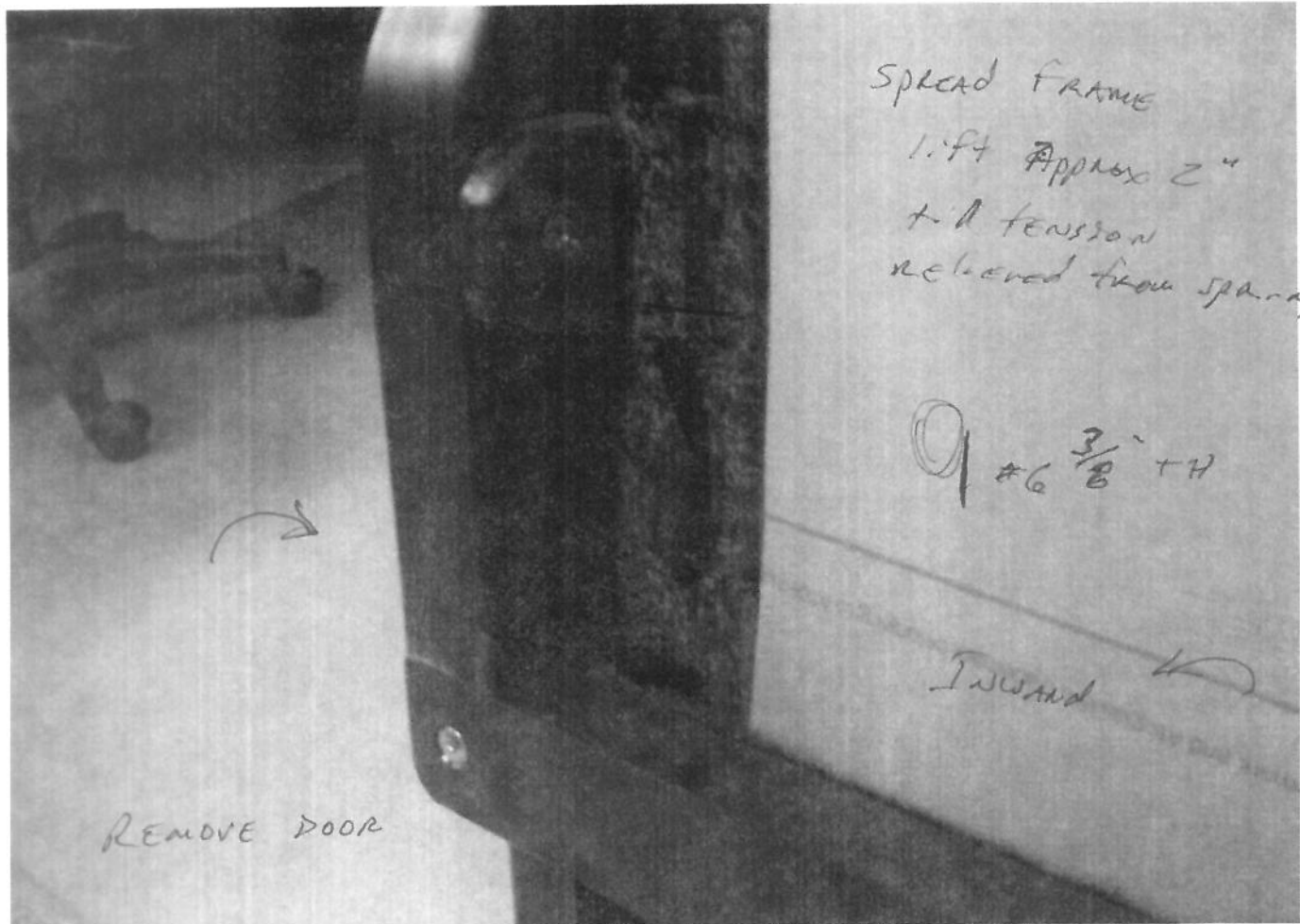
**TOLERANCES:** ±1/32"

**SCALE:** NTS

**Teak Isle, Mfg.**  
401 Capitol Court  
P.O. Box 417  
Ocoee, Fla. 34761



All up  
BEFORE CAP REMOVED  
Both sides



SPREAD FRAME  
1.5ft Approx 2"  
+ 1/2 tension  
released from spacers

Q #6  $\frac{3}{8}$ " TH

Inward

REMOVE DOOR

