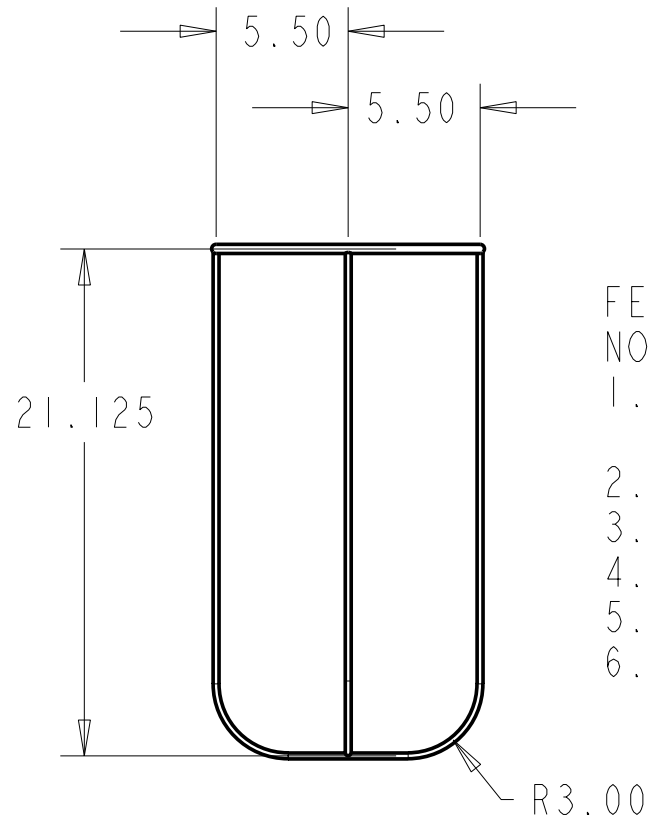
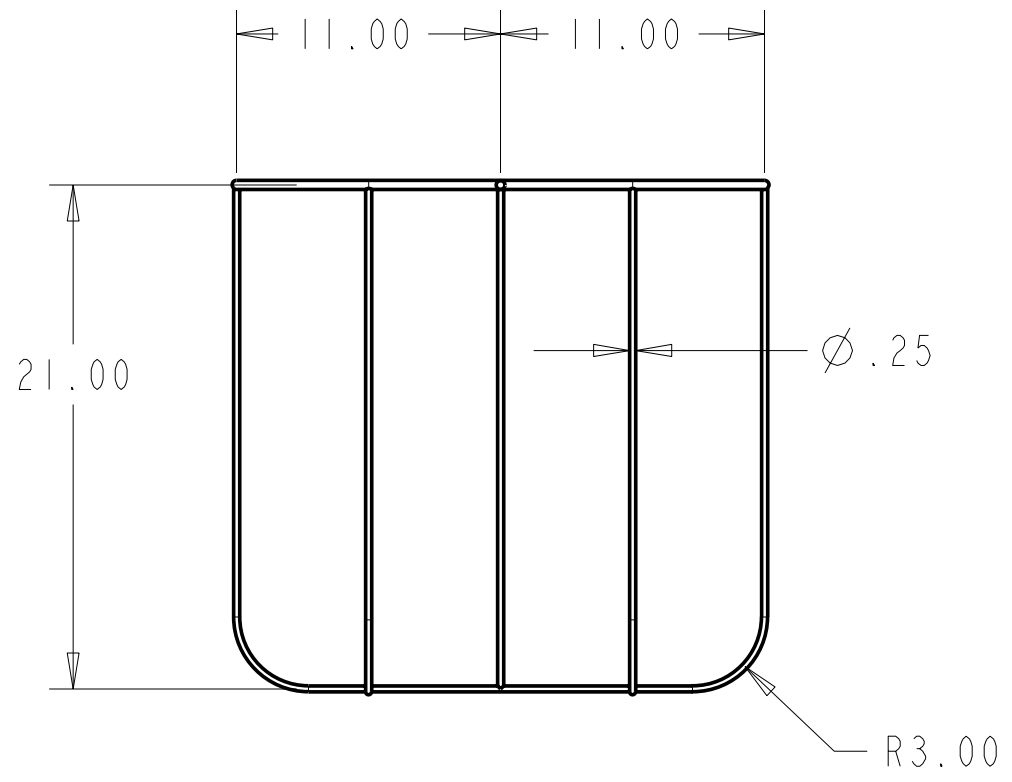
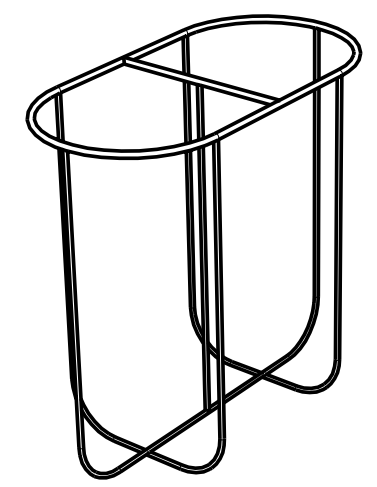
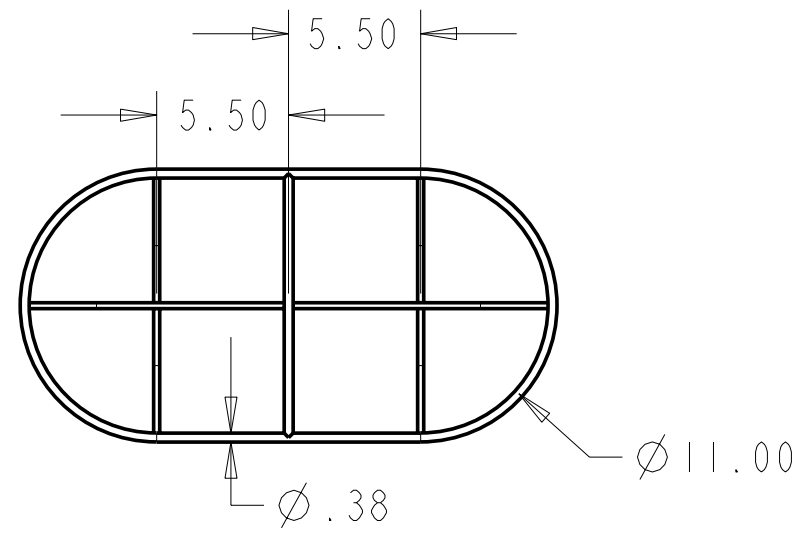



SYMBOL	REVISIONS	DATE	ENG
A	ORIGINAL ISSUE	9/1/05	JTM



FENDER HOLDER
 NOTES: SCALE=0.125
 1. MATERIAL: $\varnothing 3/8"$ STAINLESS STEEL ROD
 $\varnothing 1/4"$ STAINLESS STEEL ROD
 2. ALL DIMENSIONS ARE INCHES AND DEGREES
 3. ALL WELDS TO MEET AWS STANDARDS.
 4. BREAK AND DEBURR ALL EDGES
 5. BRIGHT POLISH AFTER FABRICATION
 6. 2 PARTS PER BOAT

PROPRIETARY INFORMATION: THIS DRAWING CONTAINS INFORMATION FOR WHICH HUNTER MARINE CORPORATION HAS PROPRIETARY RIGHTS.



H U N T E R **45cc**

DRAWING TITLE:
FENDER HOLDER

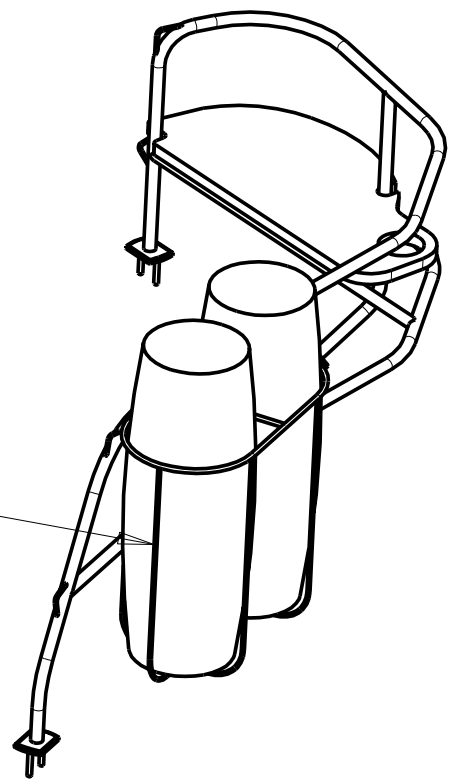
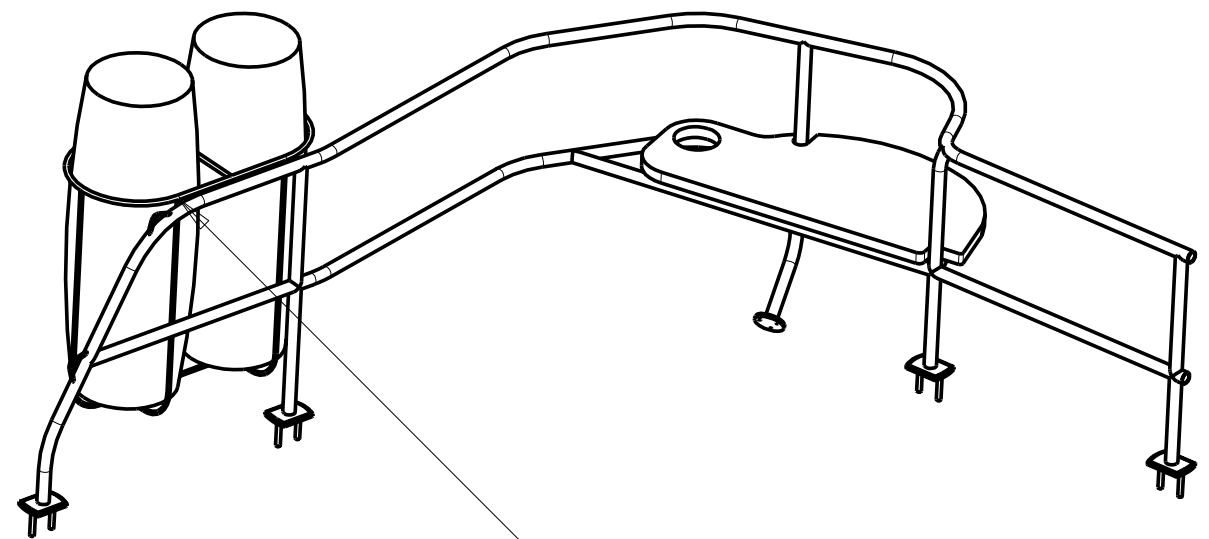
DRAWN BY: JTM DATE: 01-Sep-05 SHEET 1 OF 2

SCALE: 0.125 HUNTER PART NO. TBD REVISION DRAW #

45 FENDER HOLDER

CHECKED:

SYMBOL	REVISIONS	DATE	ENG
A	ORIGINAL ISSUE	9/1/05	JTM



FENDER HOLDERS SHOULD BE MOUNTED
AFT OF THE FWD BEND OF THE STERNRAIL
TO AVIOD INTERFERENCE WITH DOCKING CLEAT

PROPRIETARY INFORMATION: THIS DRAWING CONTAINS INFORMATION FOR WHICH HUNTER MARINE CORPORATION HAS PROPRIETARY RIGHTS.



DRAWING TITLE: FENDER HOLDER			
DRAWN BY: JTM	DATE: 01-Sep-05	SHEET 2	OF 2
SCALE: 0.125	HUNTER PART NO. TBD	REVISION	DRAW # 45 FENDER HOLDER

CHECKED: