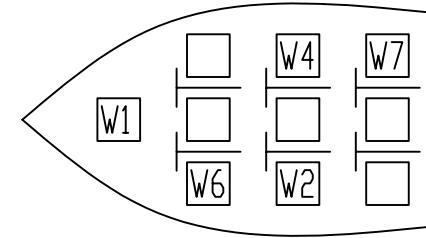
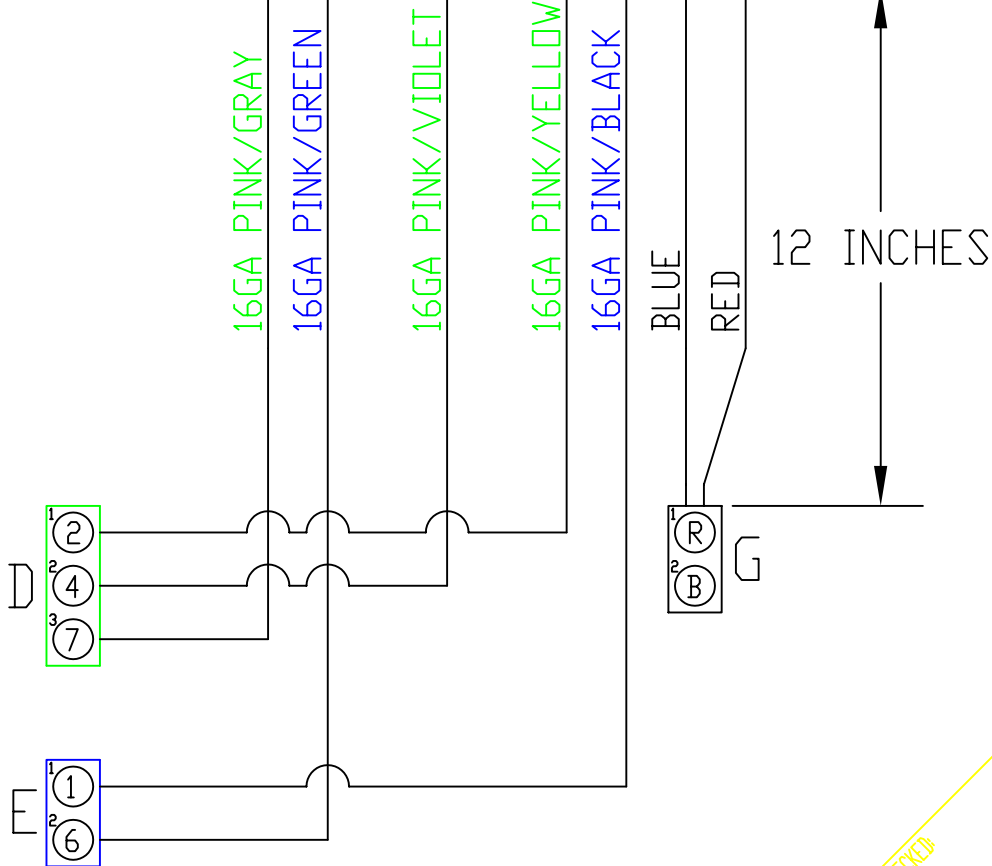


44CC




W1-W5=WATER TANKS
W6&W7=WASTE TANKS



- D = Deutsch DT 3-pin female housing w/male pins
- E = Deutsch DT 2-pin female housing w/male pins
- G = Deutsch DT 2-pin female housing w/male pins

PROPRIETARY INFORMATION: THIS DRAWING CONTAINS INFORMATION FOR WHICH HUNTER MARINE CORPORATION HAS PROPRIETARY RIGHTS.

HUNTER  **44CC**

DRAWING TITLE:
TANK MONITOR SCHEMATIC

DRAWN BY: <i>JLK</i>	DATE: <i>13-May-05</i>	SHEET <i>1</i>	OF <i>1</i>
SCALE: <i>1,000</i>	HUNTER PART NO. <i>TBD</i>	REVISION	DRAW # <i>Tank monitor sch-44cc</i>

CHECKED