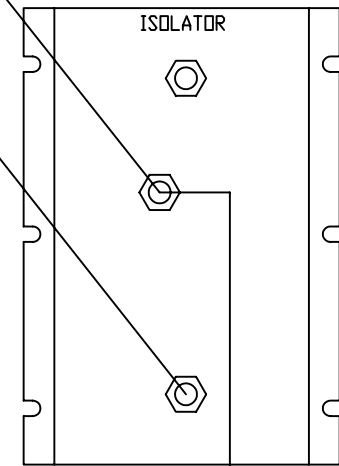


NOTE: ISOLATOR LOCATED UNDER NAV STATION STEP



2GA RED for 100 amp alt. option only

NOTE: Drawing shows all combinations for 120V boat.
 -For 100amp alternator option add isolator and cables. Also disconnect 16ga YELLOW/RED from solenoid, be sure to tape end of wire and secure.
 -For inverter option, do not install battery charger wires. Be sure to connect echo charger wire #23 to echo charger output on the side of the inverter.
 All other connections are standard, except for the electric halyard and windlass.

HOUSE BATTERY BANK

INVERTER, OPTION

HALYARD, OPTION

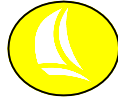
WINDLASS, OPTION

RED, START BATTERY

RED, ENG STARTER

CHECKED

PROPRIETARY INFORMATION THIS DRAWING CONTAINS INFORMATION FOR WHICH HUNTER MARINE CORPORATION HAS PROPRIETARY RIGHTS



HUNTER 41

DRAWING TITLE:
 PANEL, BATTERY SWITCH, BACKSIDE P2

DRAWN BY: JLK	DATE: 02-Mar-03	SHEET 2	OF 3
SCALE: 0.045	HUNTER PART NO. TBD	REVISION -	DRW # drawing number