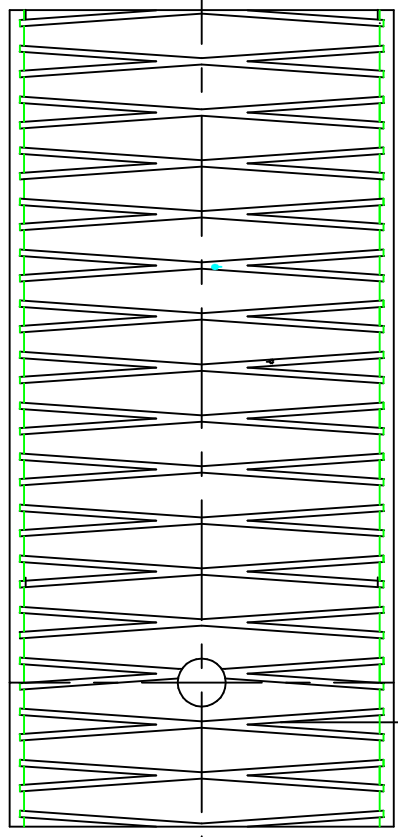
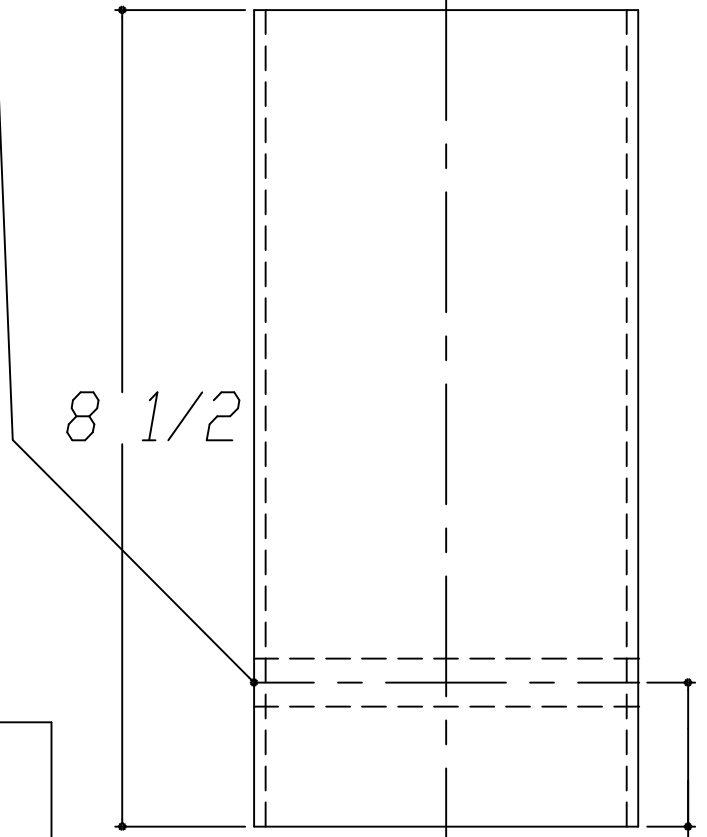


SECTION

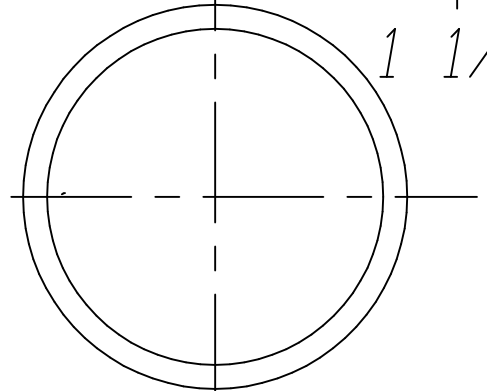
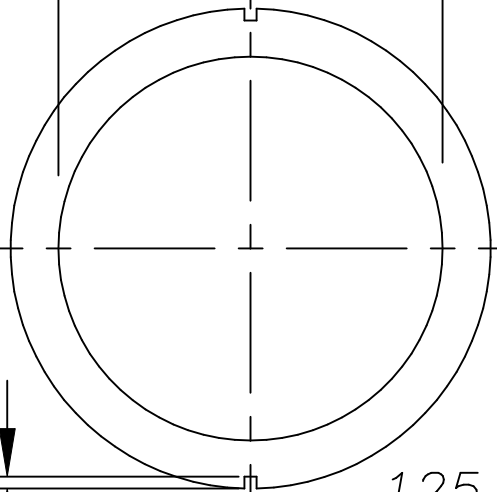


PRE-DRILL UPPER SLEEVE FOR  
1/2" DIA PIN



3.990  
(+ \ - .005)  $\triangle D$   $\triangle E$

RT. + LF HAND THREAD,  
2 TPI, 1/32 DEEP.

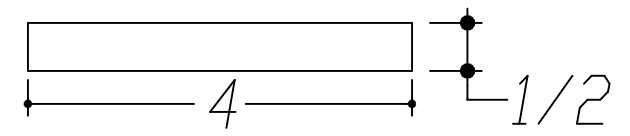


$\triangle G$   
.125  
TYP.

TOP BEARING

4" x .120 SS TUBE SLEEVE  
TURNED & POLISHED TO  $\triangle D$   $\triangle E$   
3.970" O.D. (+ \ - .005)

1/2" DIA SS PIN ONE PER BOAT



$\circ E$

$\triangle E$

EFFECTIVE 430 HULL # \_\_\_\_\_