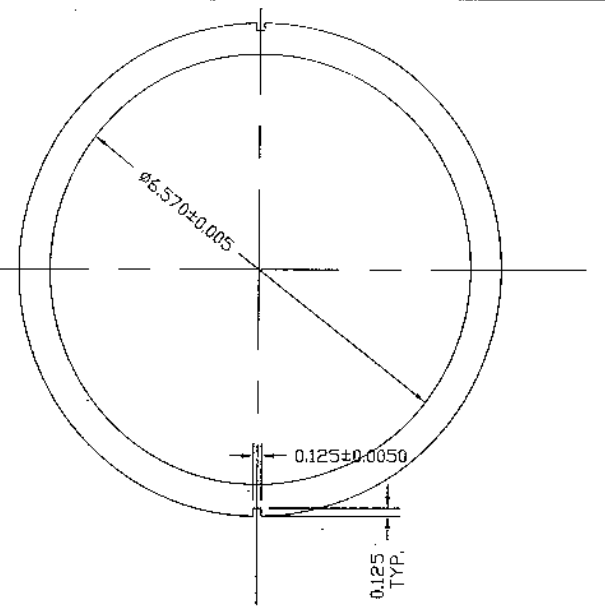
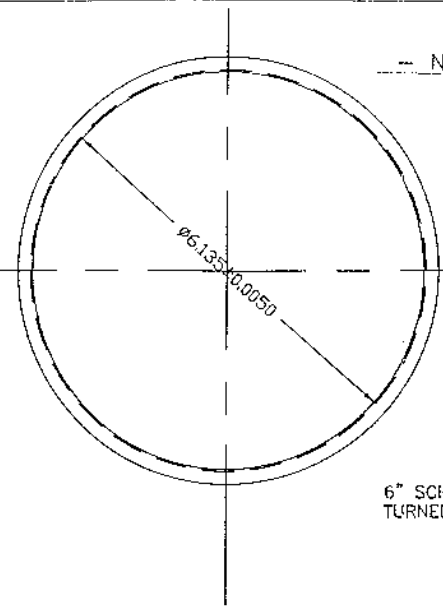


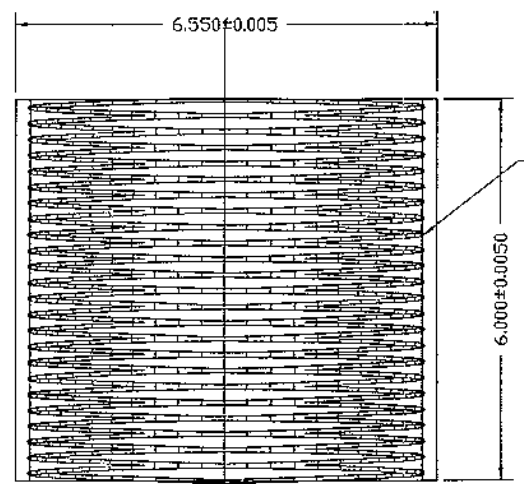
NOTE : UPPER BEARING & SLEEVE  
SAME AS 430



— UHMW HULL BEARING —



6" SCH 40 ST STL PIPE SLEEVE  
TURNED & POLISHED TO 6.550" O.D. ± .005



2TPI x .03125 DEEP  
RIGHT & LEFT THREADS

REV.	DESCRIPTION	DATE	BY
A	REVISED STL SLEEVE # 5/27/96 WCB		
	REVISIONS		

**HUNTER**

6	ISSUED FOR:		
4	H446 RUDDER HULL BEARINGS		
3	ISSUED NO. HUNB1606	REVISION NO. A	
2	SHEET 1 OF 1	PLANNED PART NO. N/A	
1	DRAWN BY WCB	CHECKED BY	
0	DATE 4/25/96	DATE	
	PLN MODEL FULL	WORK MODEL B	SCALE HALF SIZE