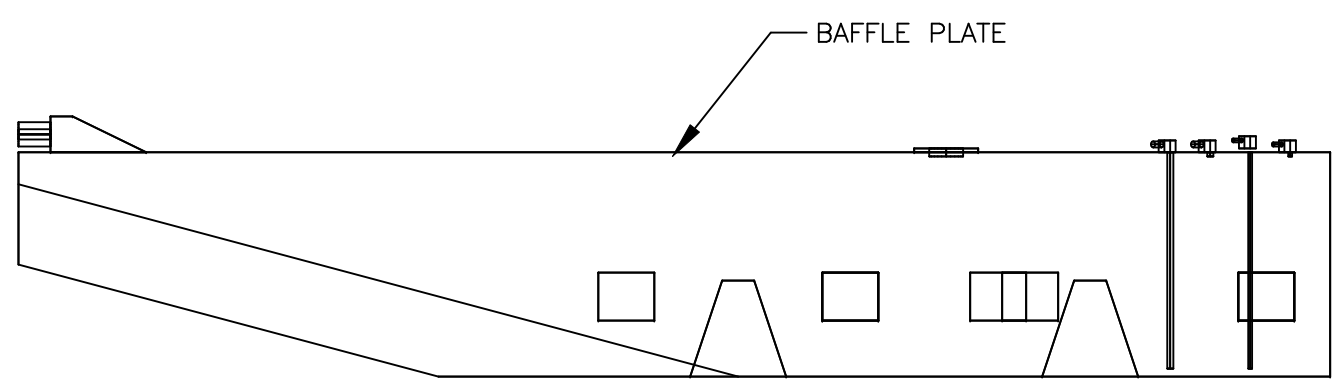
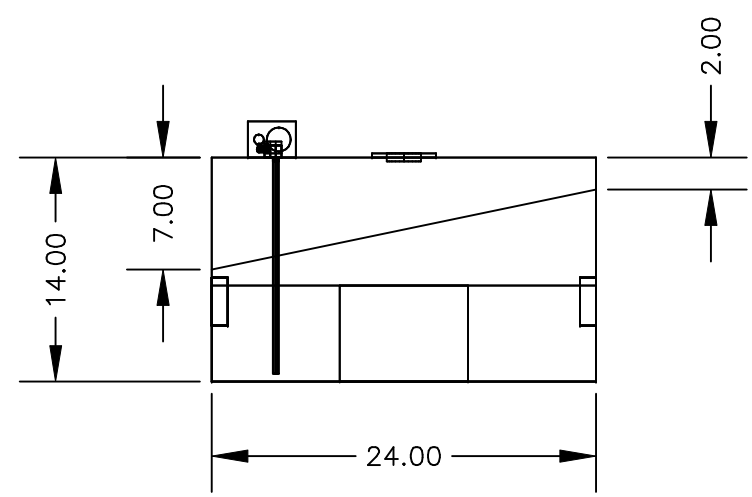
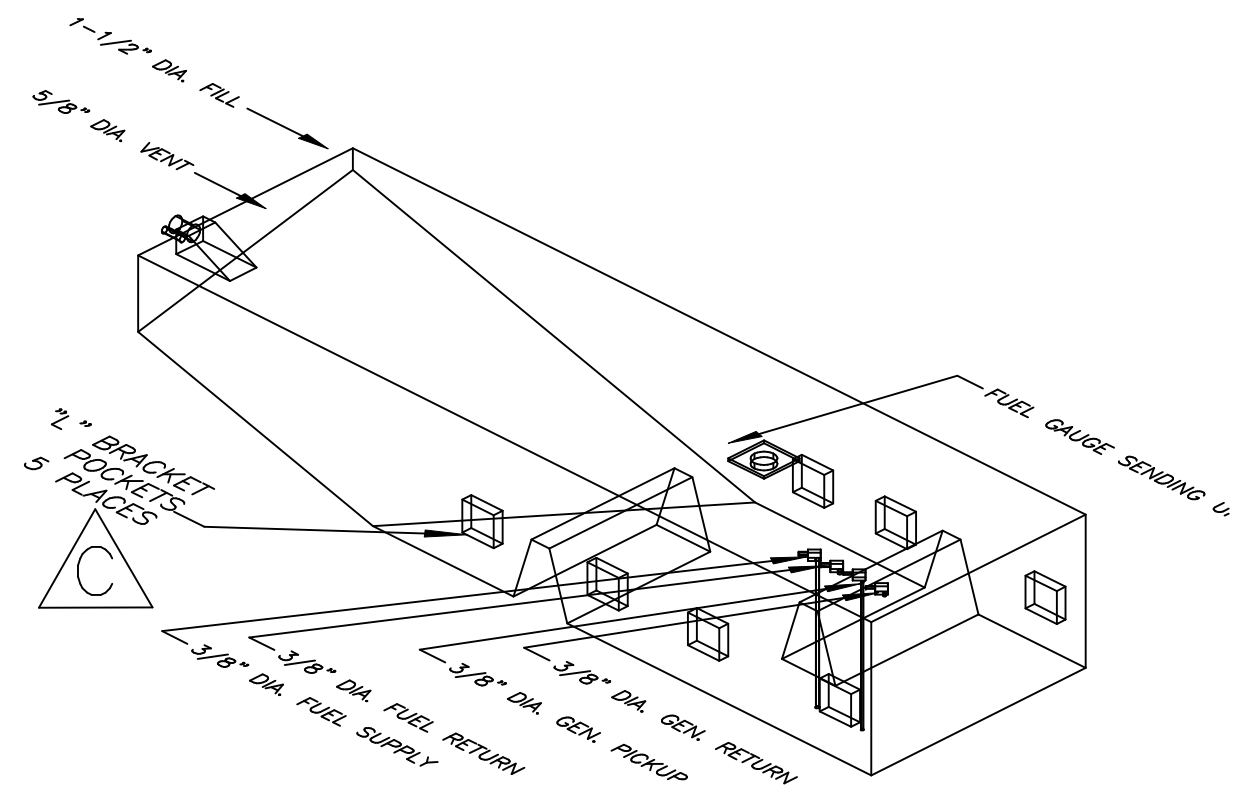


A



- NOTES -

1. MATERIAL: POLYETHELINE OR 5052 H32 ALUMINUM
2. CAPACITY: APPROX. 100 GAL. U.S.
3. QUANTITY: 1 PER BOAT
4. PROVIDE FUEL GAUGE SENDING UNIT
5. ON ALUMINUM TANKS ALL WELDS TO MEET AMERICAN WELDING SOCIETY STANDARDS

C	ADDED "L" BRCKTS	1/4/96	KJC
B	CHANGE FOR PLASTIC	10/12/96J.	
A	SHORTEN TANK BY 4 INCHES	9/9/96J.D.	
SYMBOL	REVISIONS	DATE	NAME



DRAWING TITLE:			
HUNTER 446 FUEL TANK			
DRAWING NO.	4465001A	REVISION NO.	
SHEET	1 OF 1	HUNTER PART NO.	N/A
DRAWN BY:	WCB	CHECK'D BY:	
DATE:	3/28/96	DATE:	
REV. NO.		PLOT SCALE:	FULL
		PAPER SIZE:	B
		SCALE:	1" = 1'-0"

- DRAWING SUBMITALS -