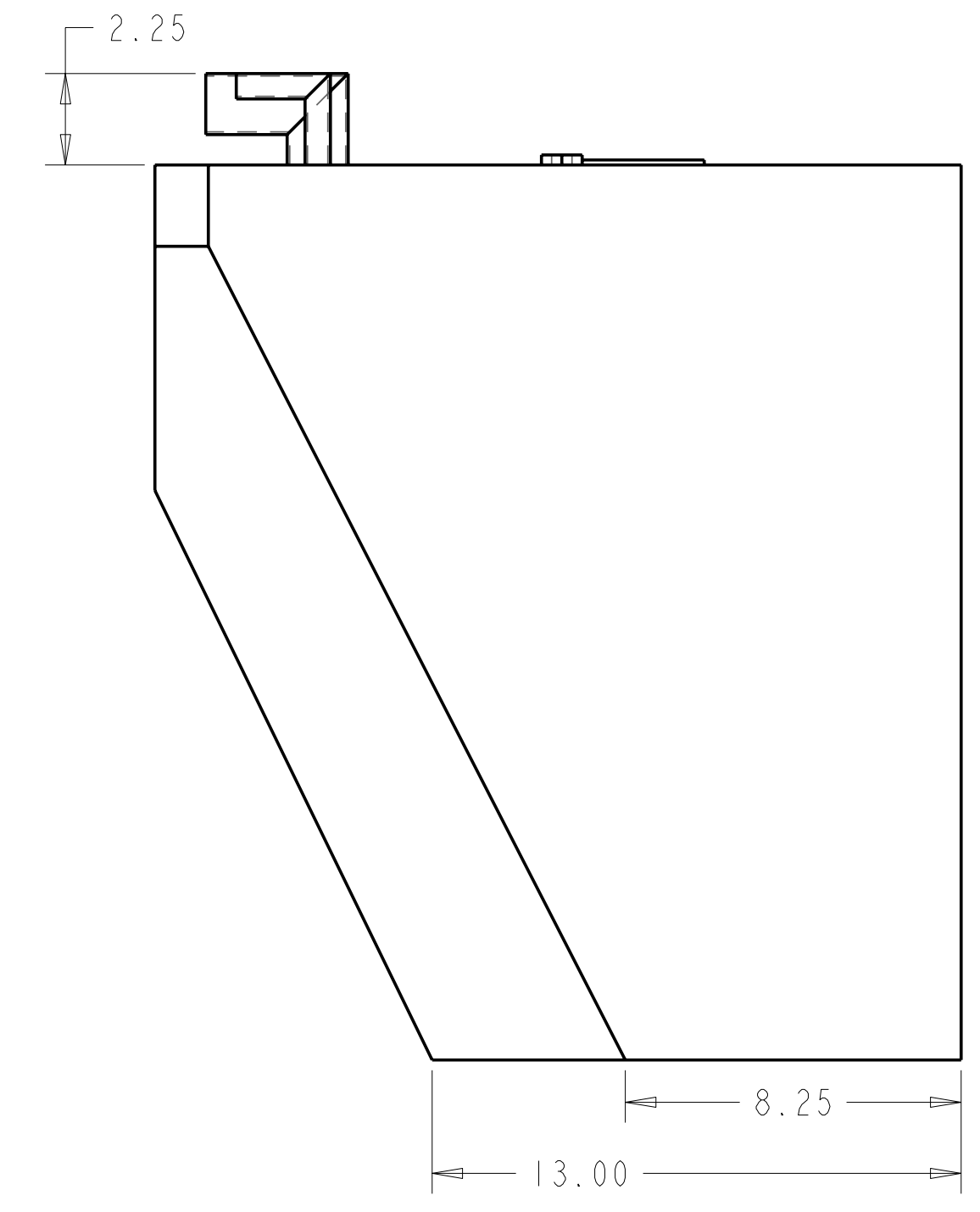
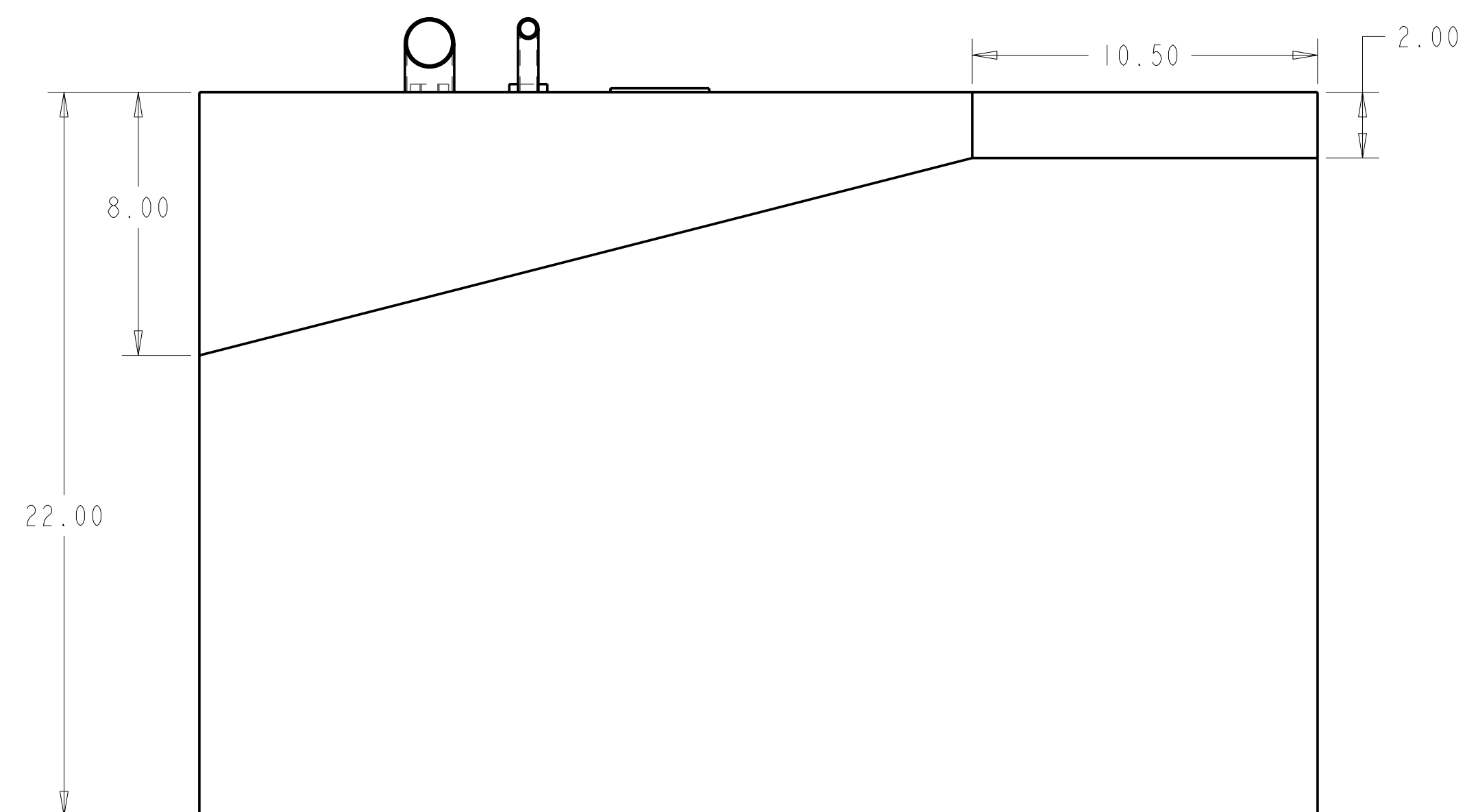
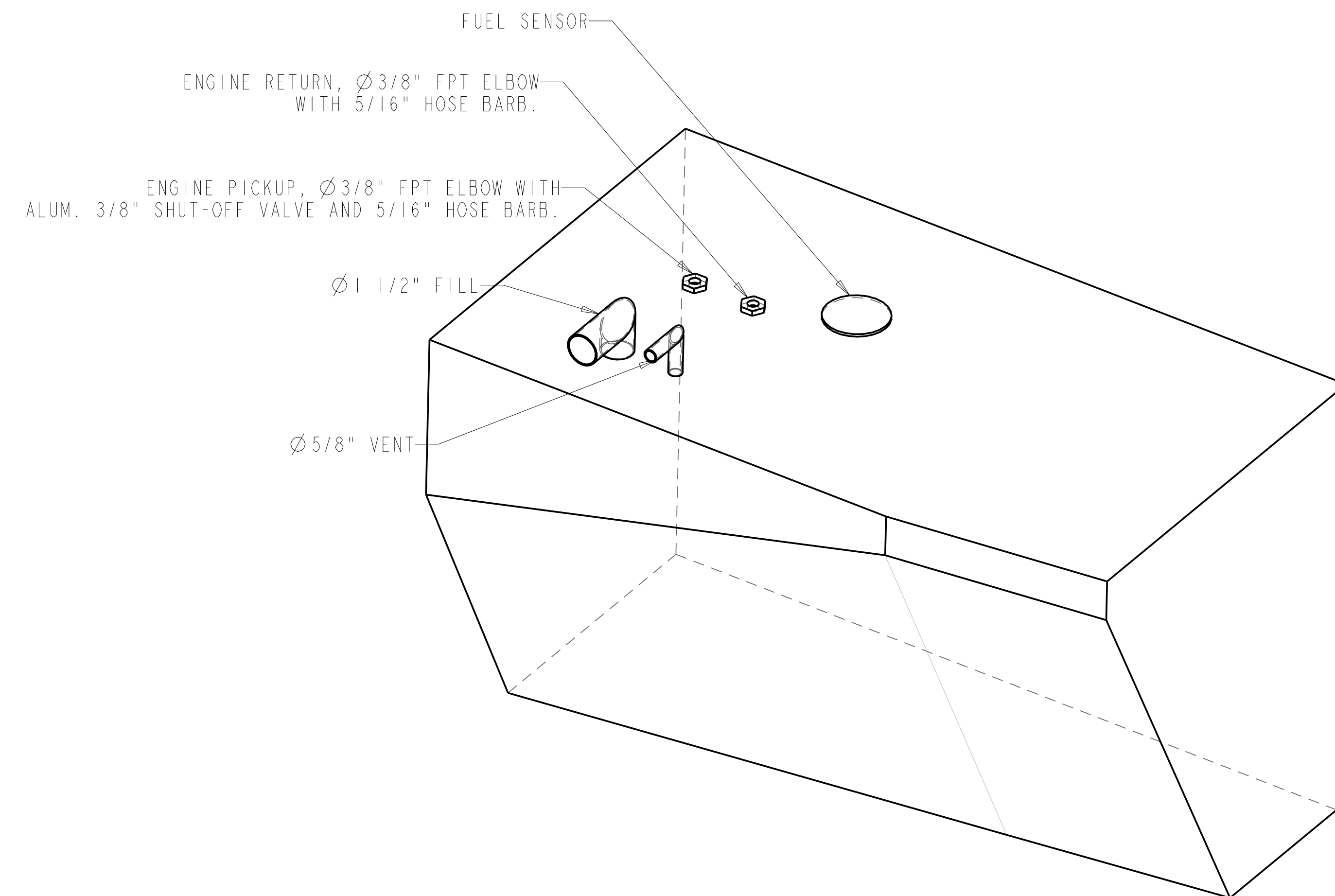
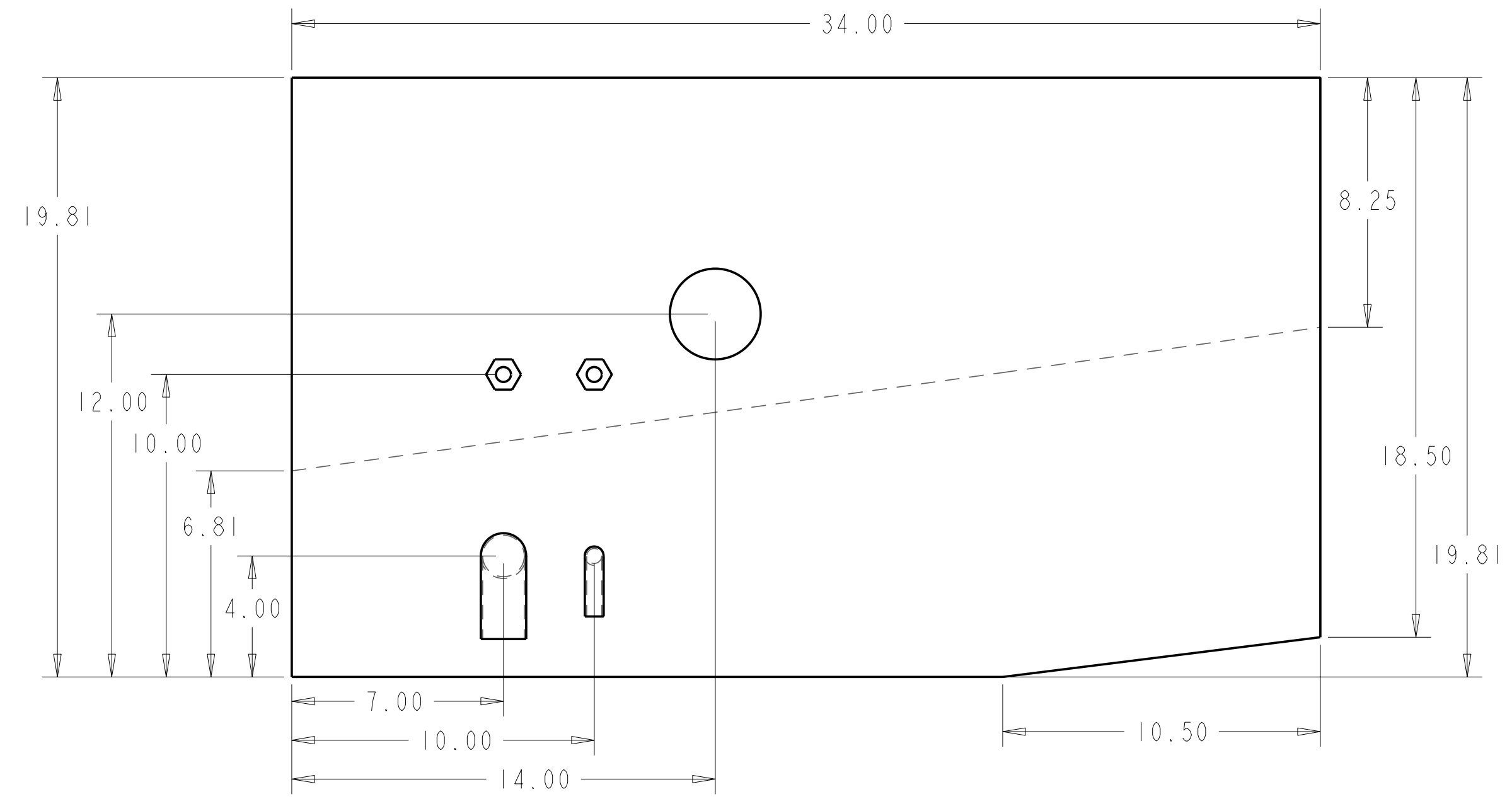


SYMBOL	REVISIONS	DATE	ENG



- PROTOTYPE, FWD FUEL TANK
 NOTES: SCALE=0.250
 1. MATERIAL: 5052 ALUMINUM
 2. ALL DIMENSIONS ARE INCHES AND DEGREES
 3. ALL WELDS TO MEET AWS STANDARDS.
 4. BREAK AND DEBURR ALL EDGES
 5. TANK MUST MEET USCG, ABYC AND CE STANDARDS
 6. SUPPLIER TO INSTALL FUEL SENSOR.
 7. APPROX. 53 GALLONS

PROPRIETARY INFORMATION: THIS DRAWING CONTAINS INFORMATION FOR WHICH HUNTER MARINE CORPORATION HAS PROPRIETARY RIGHTS

HUNTER 456

DRAWING TITLE: **PROTOTYPE, FWD FUEL TANK**

DRAWN BY: JLK	DATE: 8.16.04	SHEET: 1	OF: 1
SCALE: 0.250	HUNTER PART NO.: TBD	REVISION:	DRAW # 456 FWD FUEL TANK