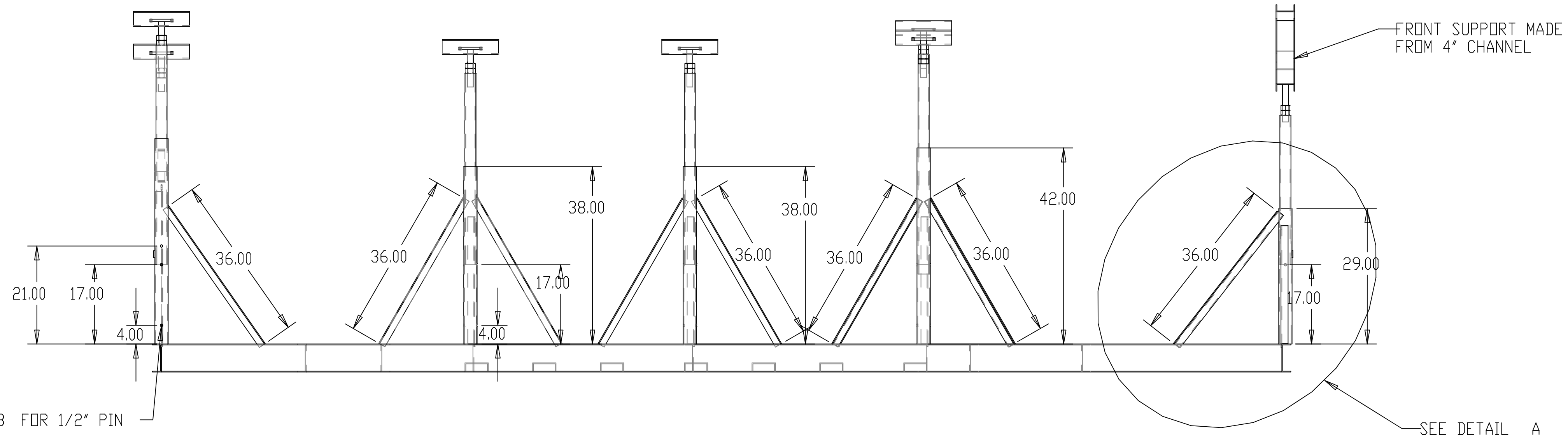
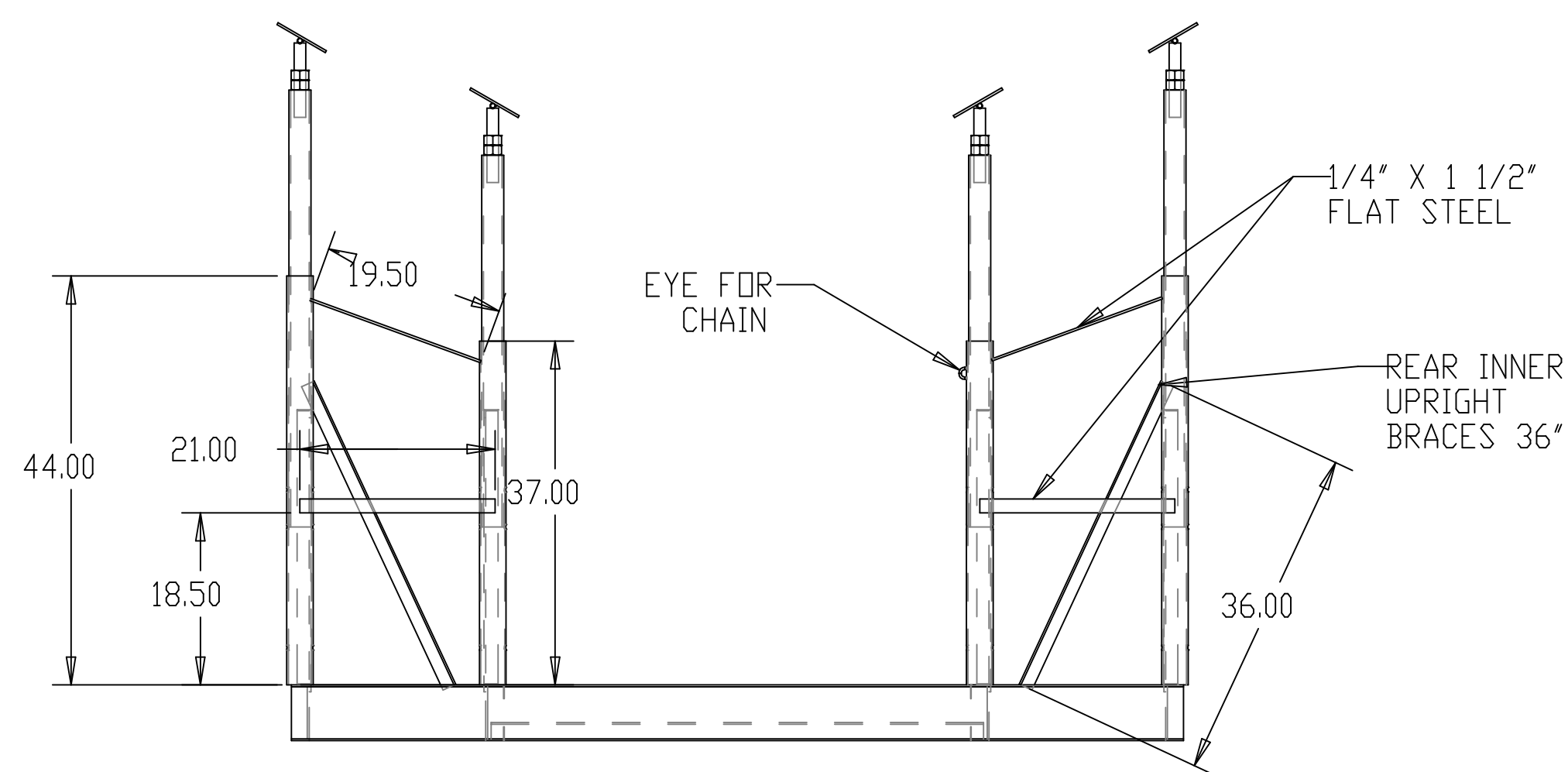
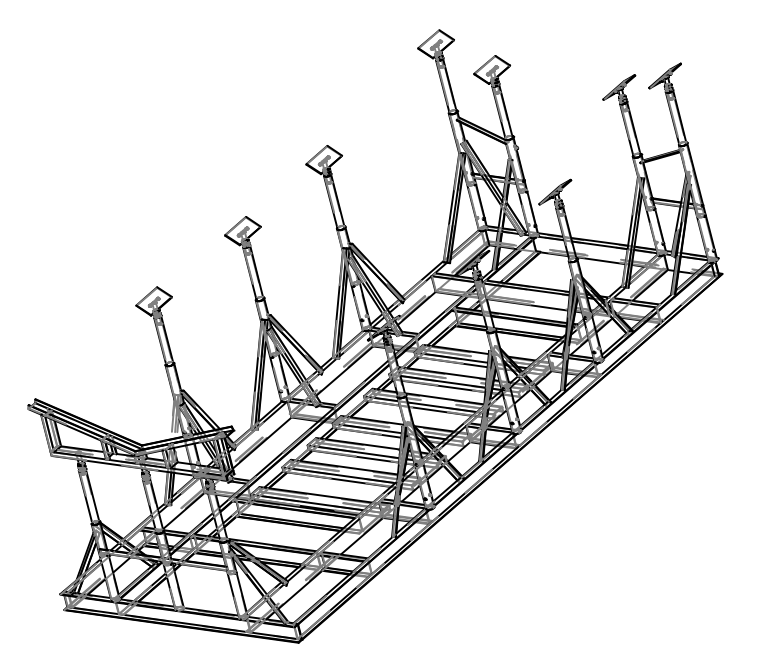
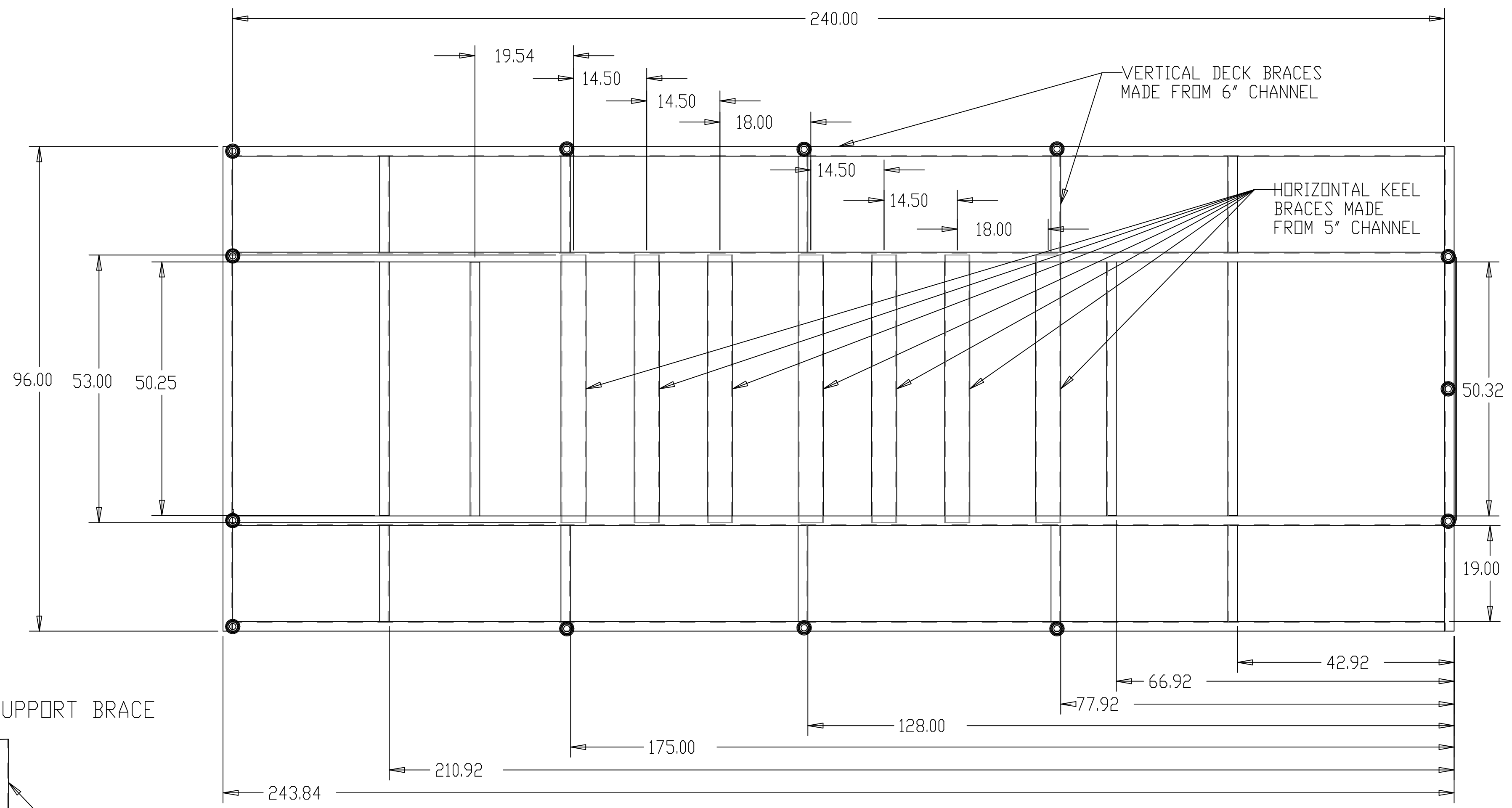
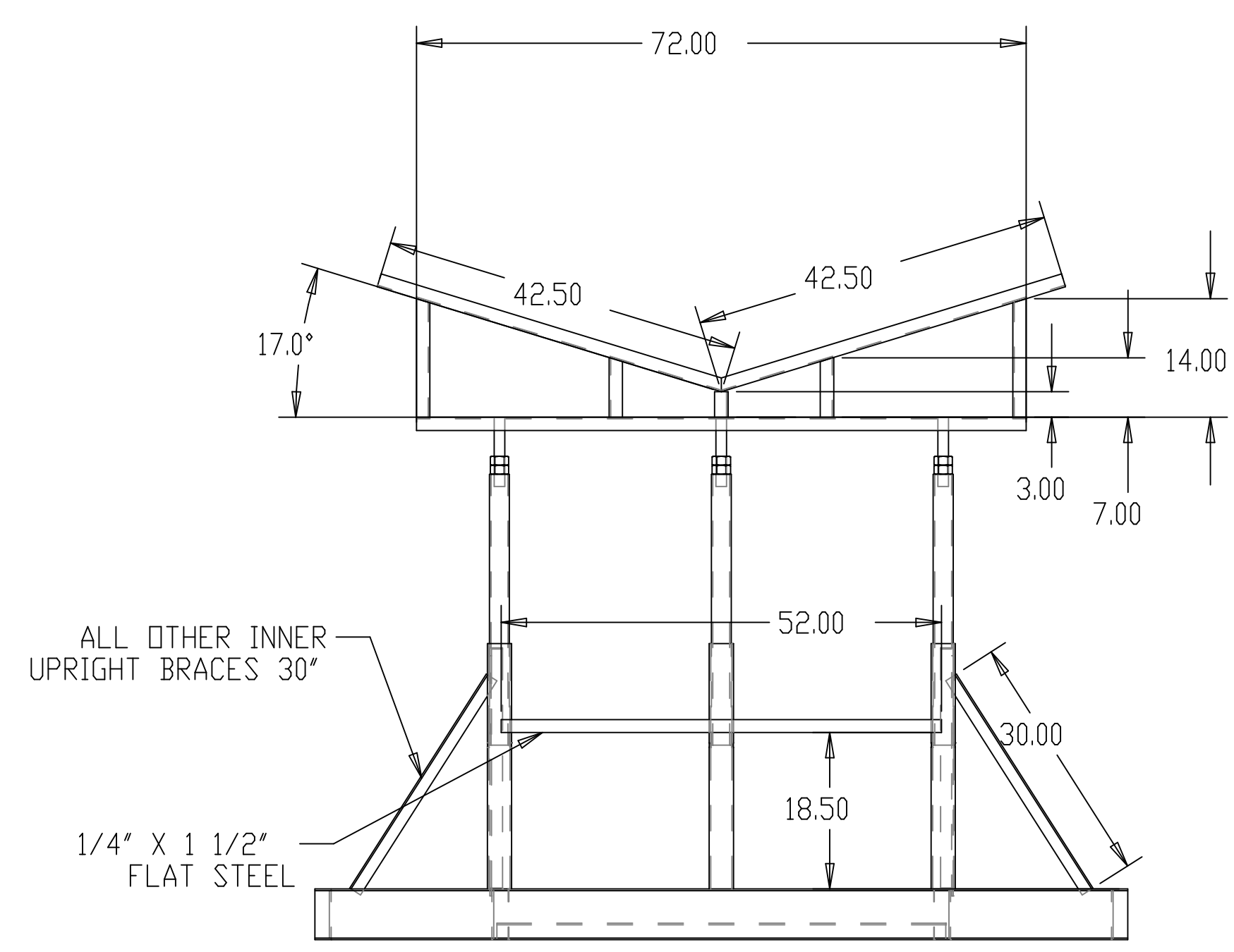


SYMBOL	REVISIONS	DATE	ENG



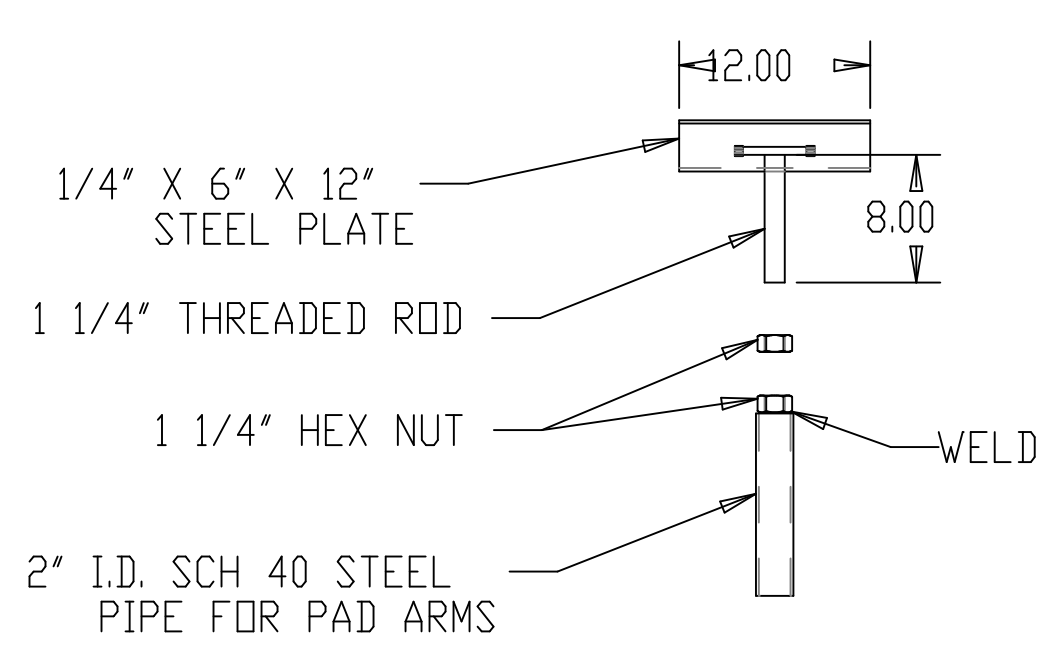
ALL HOLES ϕ .53 FOR 1/2" PIN

SEE DETAIL A



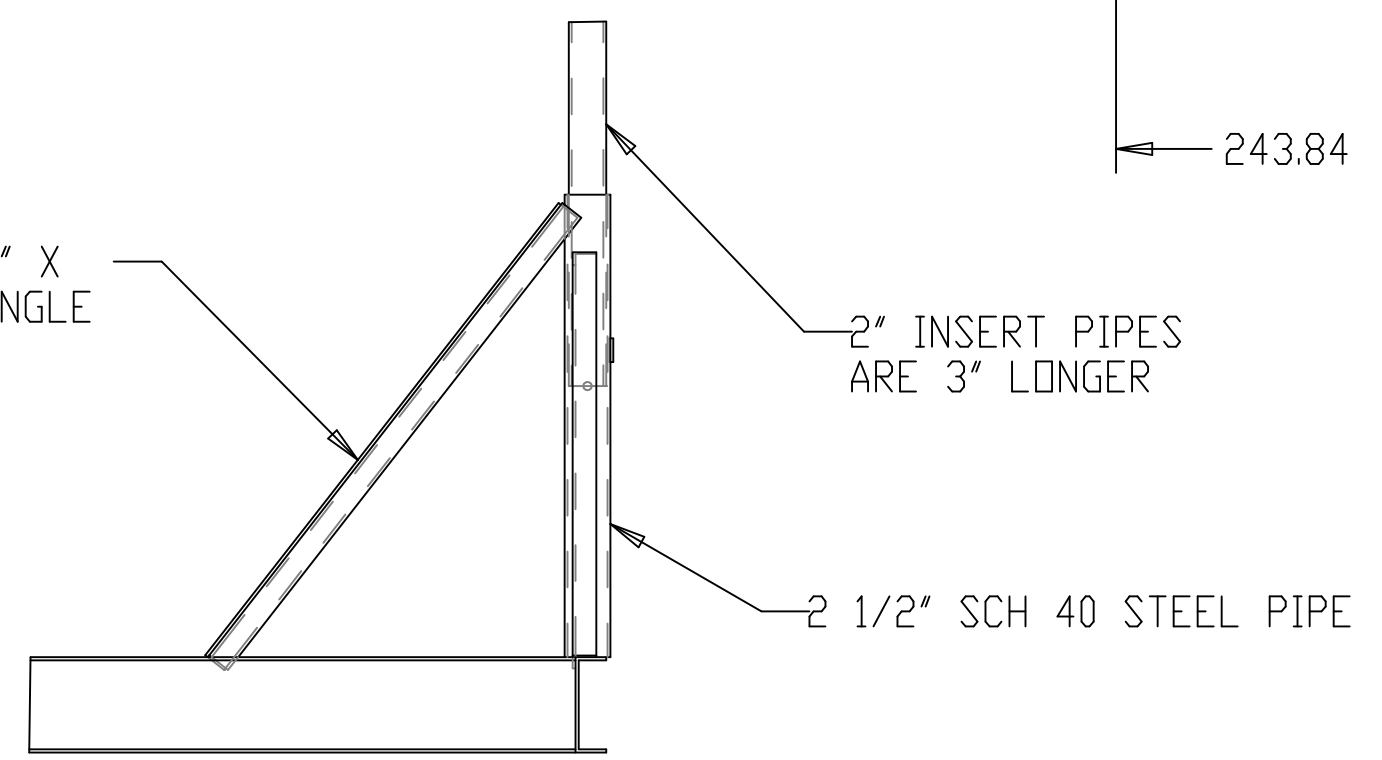
SCALE 0.016

ADJUSTABLE PAD SUPPORT



SCALE 0.083

TYPICAL PAD SUPPORT BRACE



DETAIL A
SCALE 0.083

MATERIALS: 6" X .20" X 1.92" STEEL CHANNEL
5" X .19" X 1.75" STEEL CHANNEL
4" X .18" X 1.58" STEEL CHANNEL
1 1/2" X 1 1/2" X 3/16" STEEL ANGLE
2" I.D. SCH 40 STEEL TUBE
2 1/2" I.D. SCH 40 STEEL TUBE
1/4" X 1 1/4" FLAT STEEL

PROPRIETARY INFORMATION: THIS DRAWING CONTAINS INFORMATION FOR WHICH HUNTER MARINE CORPORATION HAS PROPRIETARY RIGHTS.

HUNTER 466

DRAWING TITLE: 456 466 SHIPPING CRADLE

DRAWN BY: AFT DATE: 17-Mar-04 SHEET 1 OF 1

SCALE: 0.083 HUNTER PART NO. TBD REVISION: - DRAW # 460 SHIPPING CRADLE