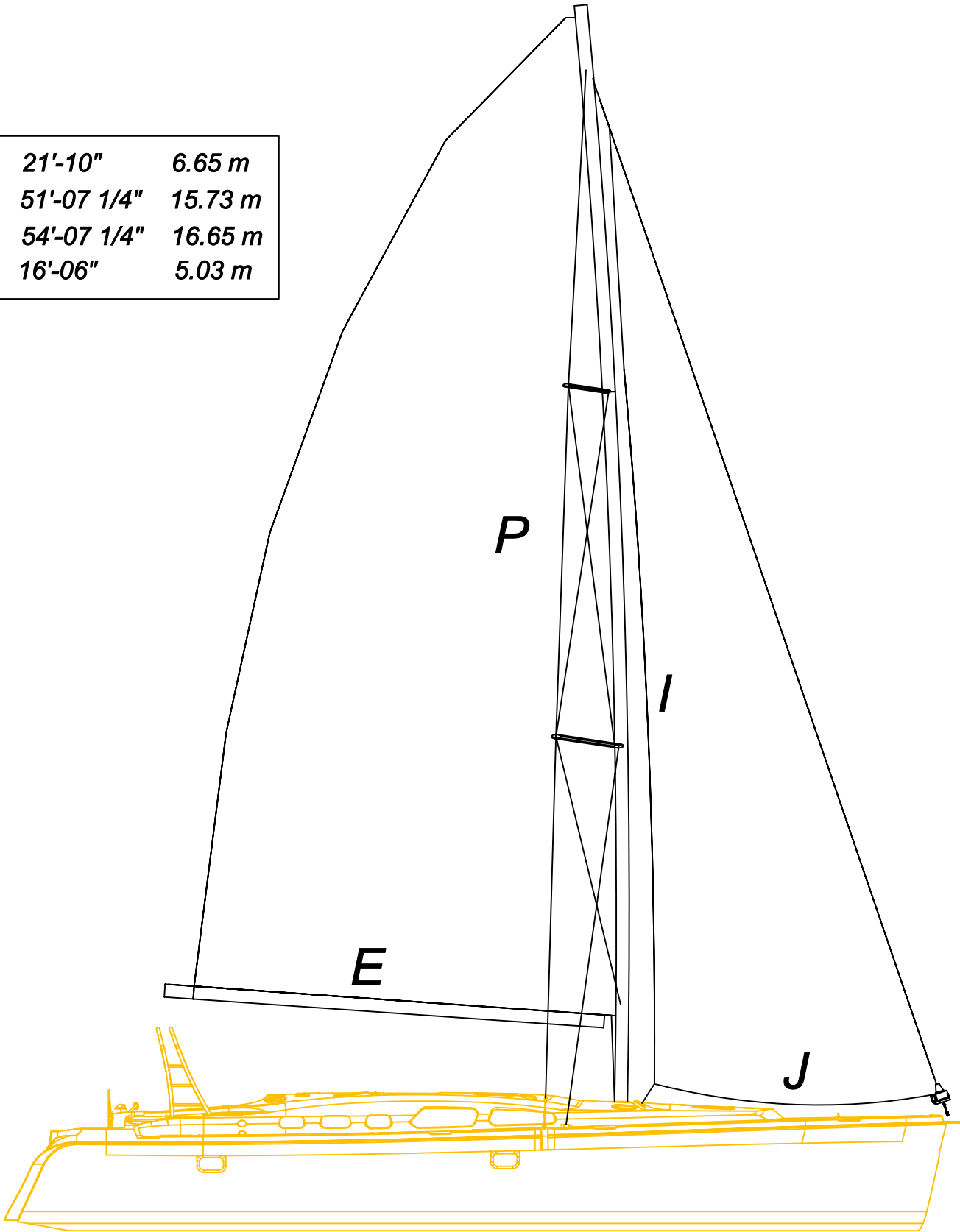


H49 STANDARD SAILPLAN

E	21'-10"	6.65 m
P	51'-07 1/4"	15.73 m
I	54'-07 1/4"	16.65 m
J	16'-06"	5.03 m



NON-OVERLAP JIB
NO STAYSAIL
JIB SHEET ON SELF-TACKING APPARATUS

This document contains information for which HUNTER MARINE CORP. has proprietary rights.



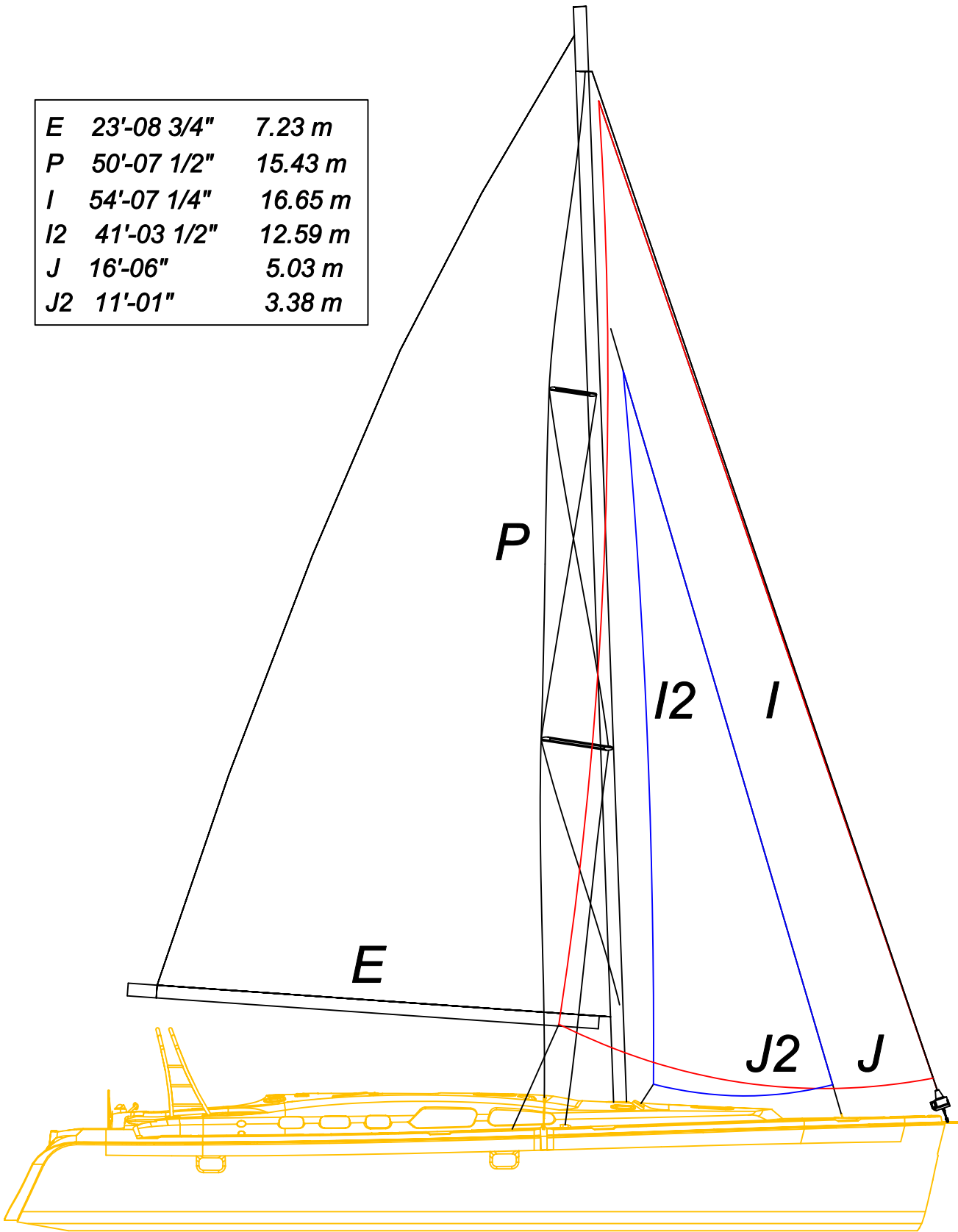
HUNTER

SAILPLAN (STANDARD)

DRAWING NO.	488036A	REVISION NO.	None
DRAWN BY:	ENG	DATE:	03/01/06

H49 FURLING SAILPLAN

E	23'-08 3/4"	7.23 m
P	50'-07 1/2"	15.43 m
I	54'-07 1/4"	16.65 m
I2	41'-03 1/2"	12.59 m
J	16'-06"	5.03 m
J2	11'-01"	3.38 m



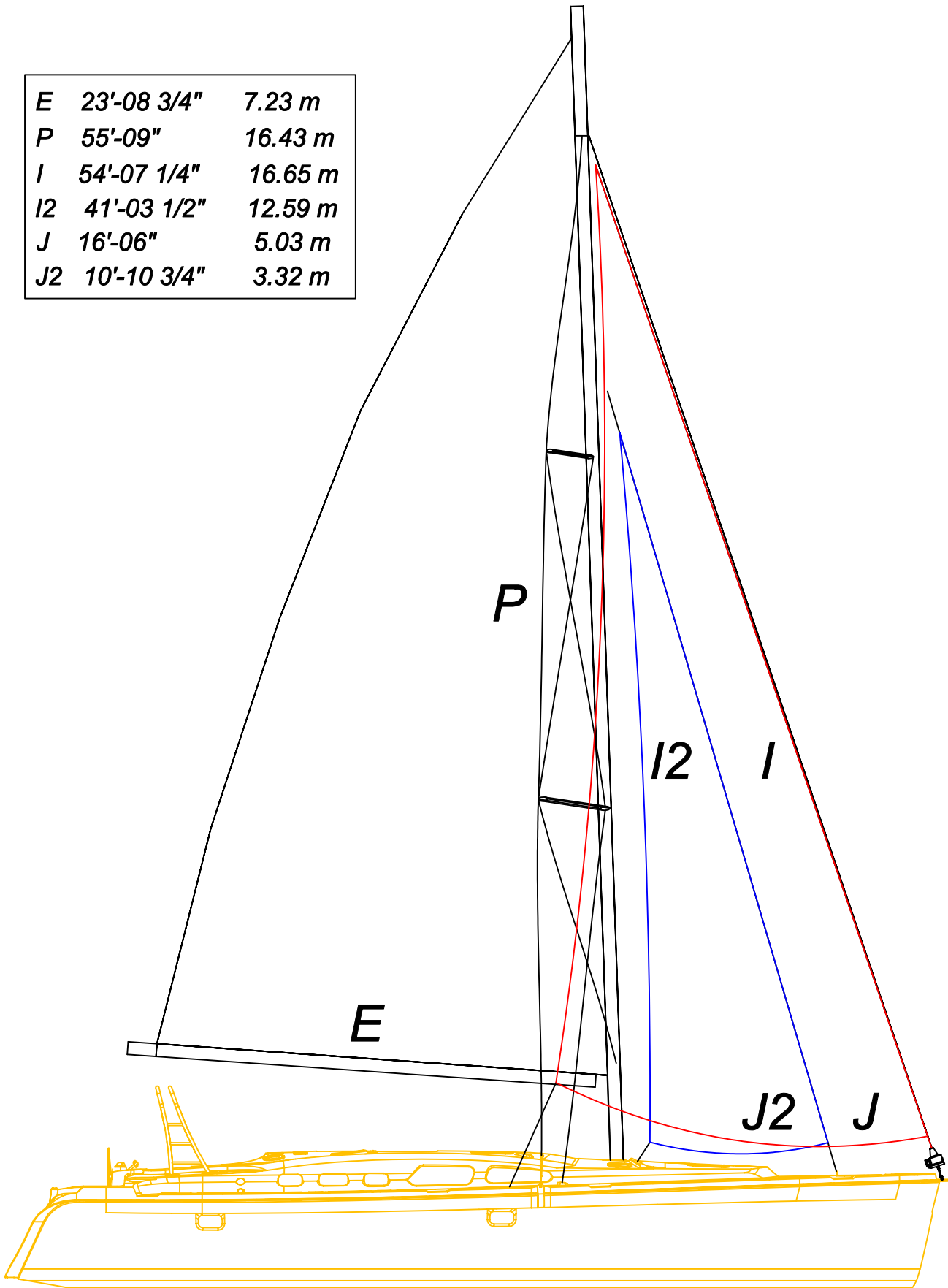
VERTICAL BATTEN FURLING MAIN SAIL

**OPTIONAL OVERLAPPING JIB
 JIB SHEET TRACKS ON SIDE DECK**

OPT. STAYSAIL ON SELF-TACKING APPARATUS

H49 TALL RIG FURLING SAILPLAN

E	23'-08 3/4"	7.23 m
P	55'-09"	16.43 m
I	54'-07 1/4"	16.65 m
I2	41'-03 1/2"	12.59 m
J	16'-06"	5.03 m
J2	10'-10 3/4"	3.32 m



TALL RIG VERTICAL BATTEN FURLING MAIN SAIL

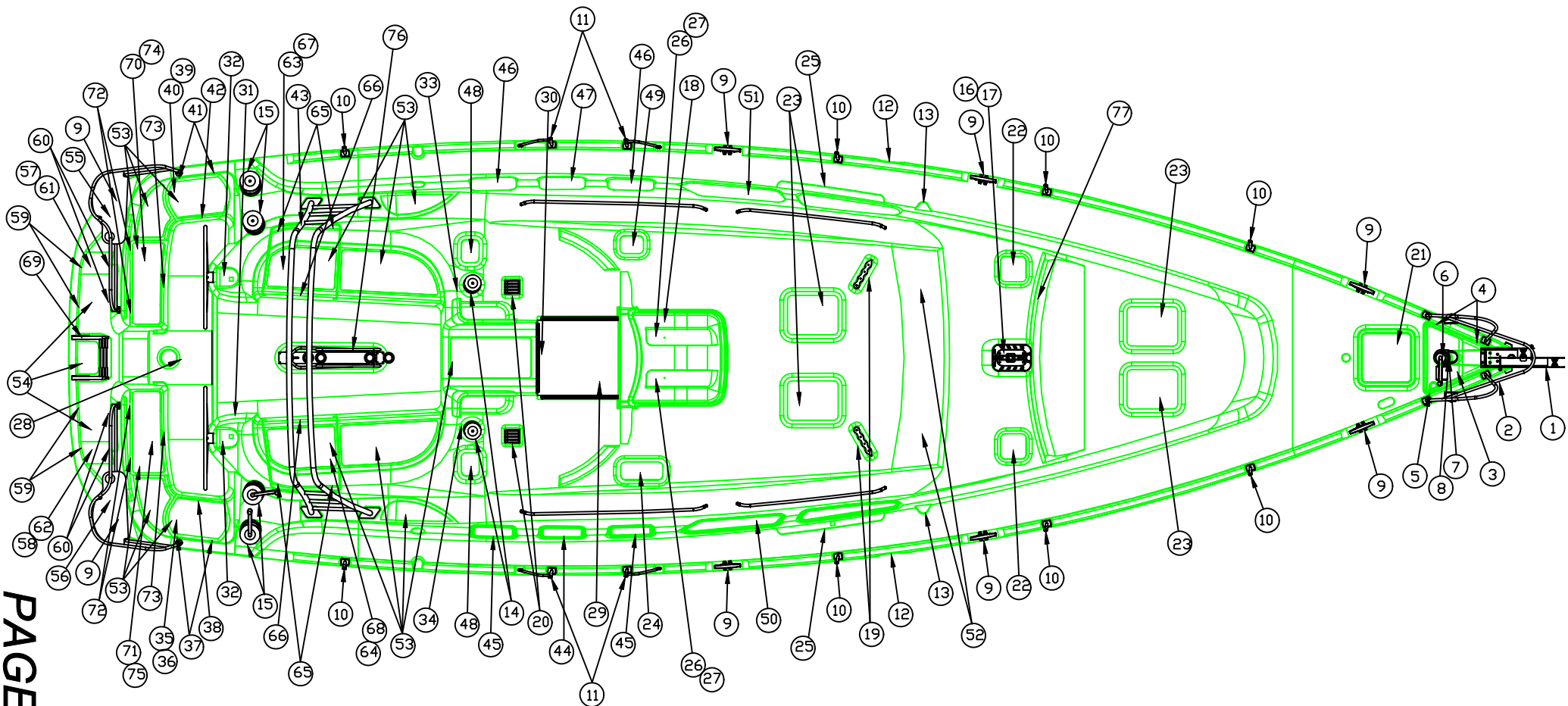
**OPTIONAL OVERLAPPING JIB
JIB SHEET TRACKS ON SIDE DECK**

OPT. STAYSAIL ON SELF-TACKING APPARATUS

THIS DOCUMENT CONTAINS INFORMATION FOR WHICH HUNTER MARINE CORP. HAS PROPRIETARY RIGHTS.
HUNTER
DRAWING TITLE: SAILPLAN TALL RIG(FURLING)
DRAWING NO.: 488036C
REVISION NO.: None
DATE: 03/01/06
ENGINEER: ENG

H49 DIMENSIONS, CAPACITIES, ETC.

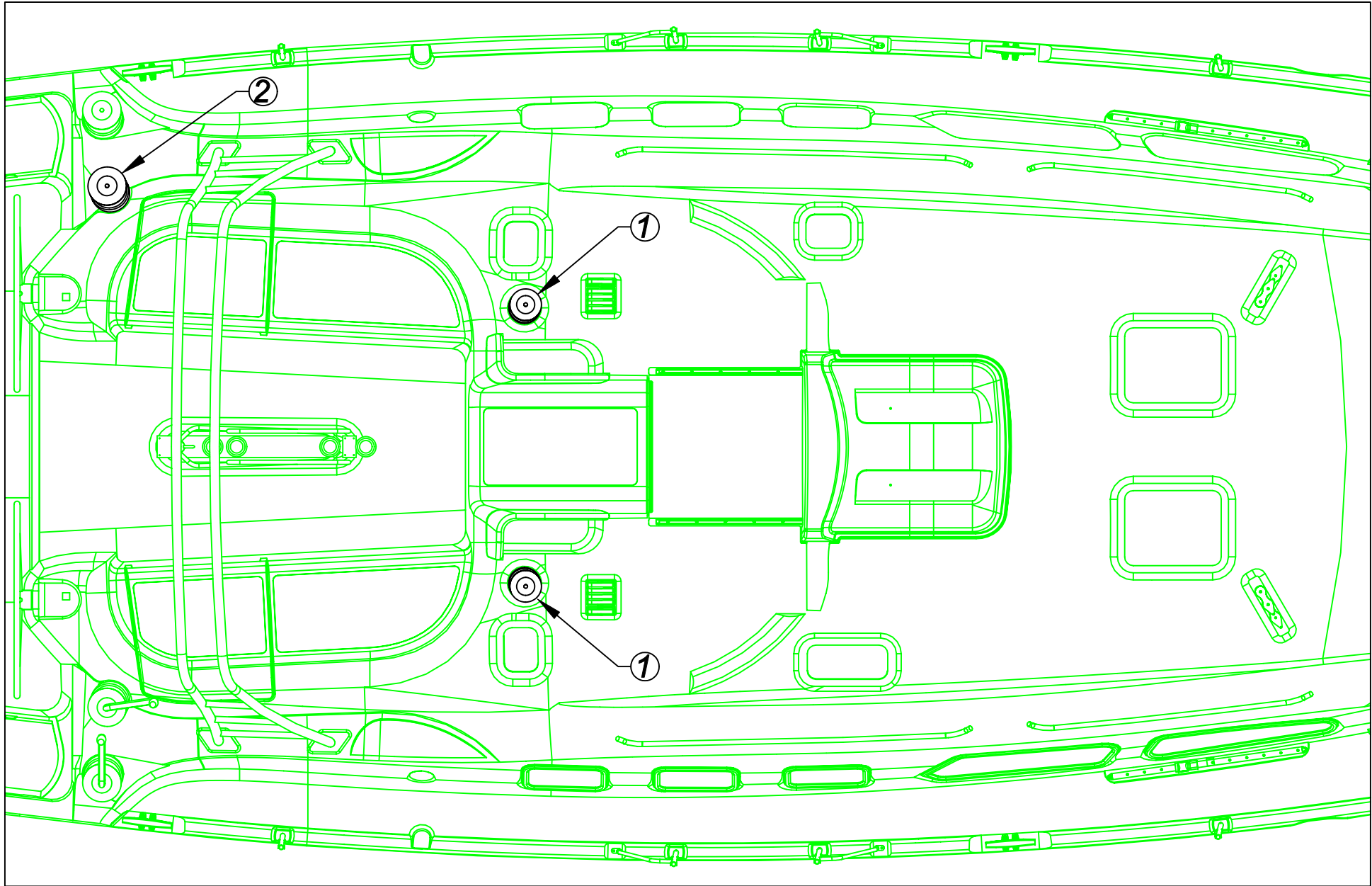
HULL LENGTH	47' 11"	14.61 m.
LENGTH OVERALL (INCLUDES BOW ROLLER)	49' 11"	15.21 m.
LENGTH OF WATERLINE (LWL)	43' 10"	13.36 m.
BEAM (MAX)(without rubrail)	14' 05"	4.39 m.
BEAM (MAX)(with rubrail)	14' 09"	4.50 m.
DRAFT		
* SHOAL	5' 06"	1.68 m.
* DEEP	7' 00"	2.13 m.
DISPLACEMENT		
* SHOAL	32813 lbs.	14884kg.
* DEEP	31485 lbs.	14281kg.
BALLAST (LEAD KEEL)		
* SHOAL	12544 lbs.	5690 kg.
* DEEP	11216 lbs.	5087 kg.
MAST HEIGHT (FROM WATERLINE)		
* STANDARD	63' 04"	19.30 m.
* FURLING	63' 04"	19.30 m.
* FURLING TALL RIG	68' 06"	20.88 m.
SAIL AREA		
* STANDARD/ACTUAL	1277 sq. ft.	118.7 sq. m.
* STANDARD TALL RIG/ACTUAL	1332 sq. ft.	123.7 sq. m.
* V-BATTEN FURLING/ACTUAL	1161 sq. ft.	107.9 sq. m.
* V-BATTEN FURLING TALL RIG/ACTUAL	1258 sq. ft.	116.9 sq. m.
* STAYSAIL/ACTUAL	228.9 sq. ft.	21.26 sq. m.
SA/DISP		
* STANDARD/ACTUAL	33.93	
* FURLING/ACTUAL	16.43	
DISPLACEMENT LENGTH	173.93	
SAILPLAN		
I	54' 7 1/4"	16.65 m.
I2	41' 3 1/2"	12.59 m.
J	16' 6"	5.03 m.
J2	11' 1"	3.38 m.
P		
* STANDARD	51' 7 1/4"	15.73 m.
* FURLING	50' 7 1/2"	15.43 m.
* FURLING TALL RIG	55' 9"	17.00 m.
E		
* STANDARD	21' 10"	6.65 m.
* FURLING	23' 8 3/4"	7.23 m.
BERTHS		
HEADROOM	Sleeps 9	
FUEL TANK CAPACITY	6' 9"	2.06 m.
WATER CAPACITY	150 US gal.	568 liters
WATER HEATER	200 US gal.	757 liters
HOLDING TANK CAPACITY	11 US gal.	42 liters
LPG TANK CAPACITY(SPARE OPT.)	52 US gal.	197 liters
BATTERY CAPACITY	2 x 10 lbs.	2 x 4.5 kg.
INBOARD ENGINE	House Bank 600 amps	Start Bank 105 amps
* STANDARD	100 hp.	75 kw.
LIFTING POINTS	INDICATED BY "SLING" LABELS ON HULL	



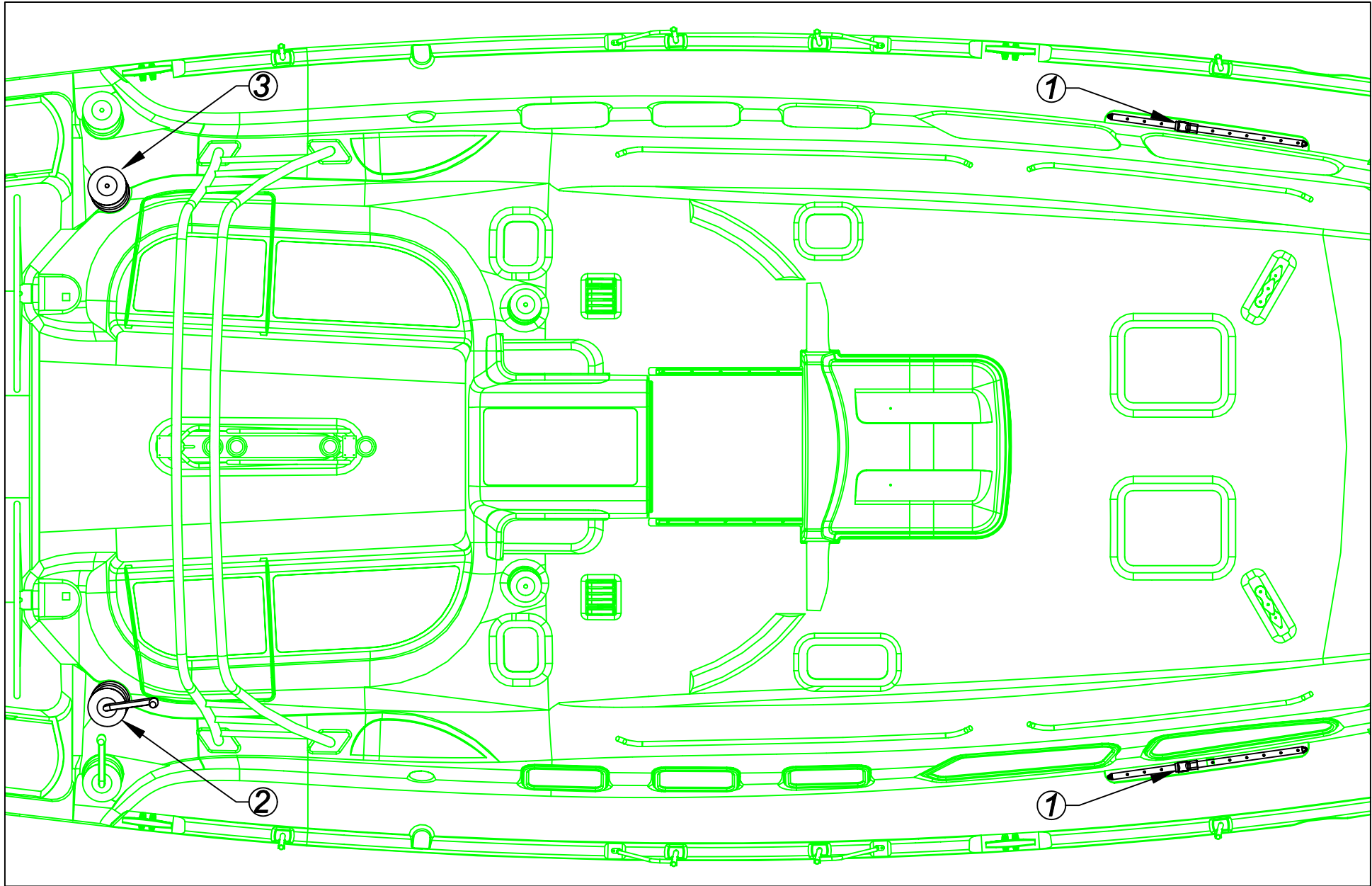
DRAWING TITLE: DECK HARDWARE LAYOUT	
DRAWING NO. 488038A	REVISION NO. None
DRAWN BY: ENG	DATE: 03/01/06

This document discloses information for which HUNTER MARINE CORP. has proprietary rights.



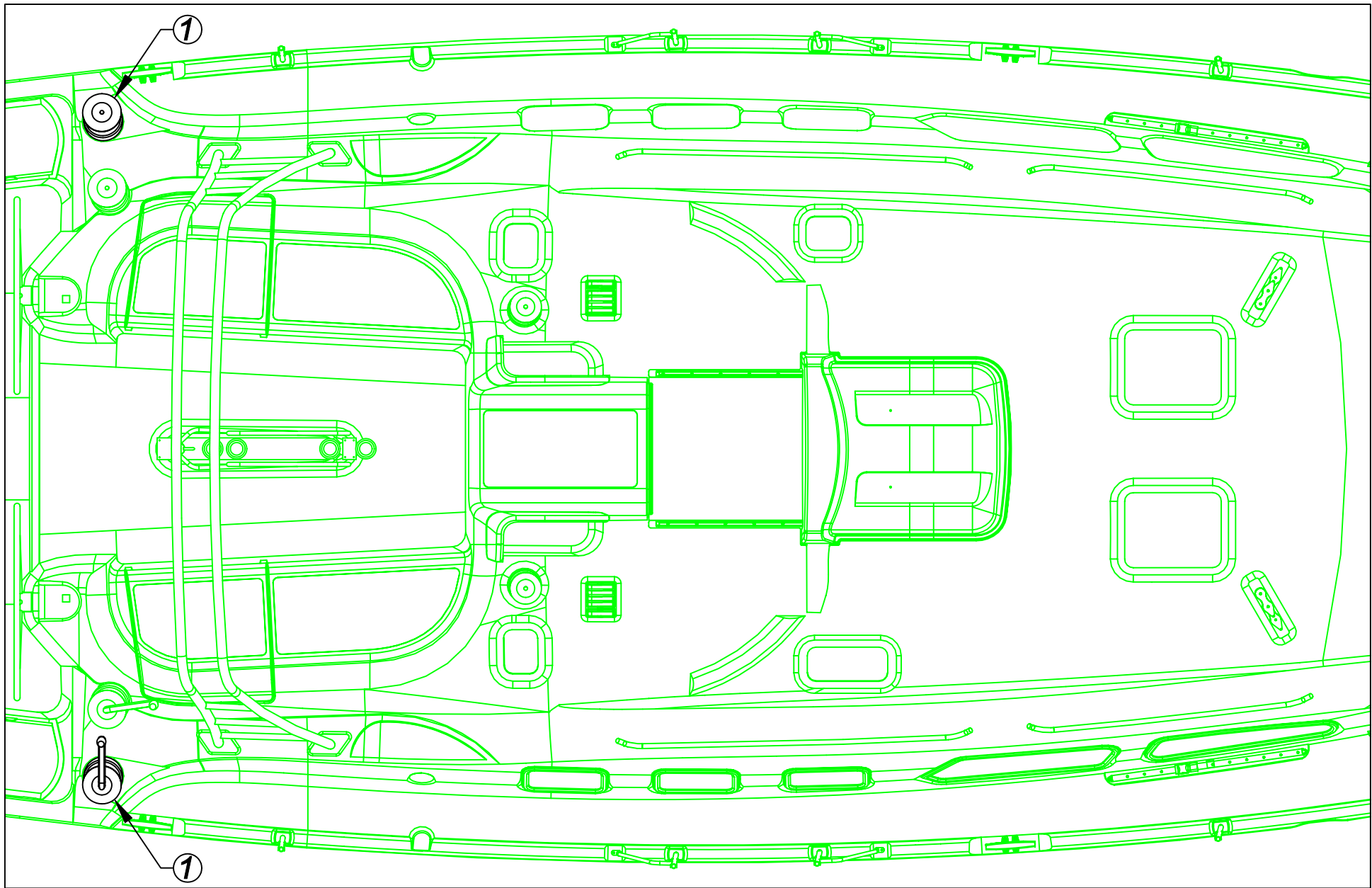


1 STANDARD RIGGING WINCH
2 STANDARD MAINSHEET WINCH

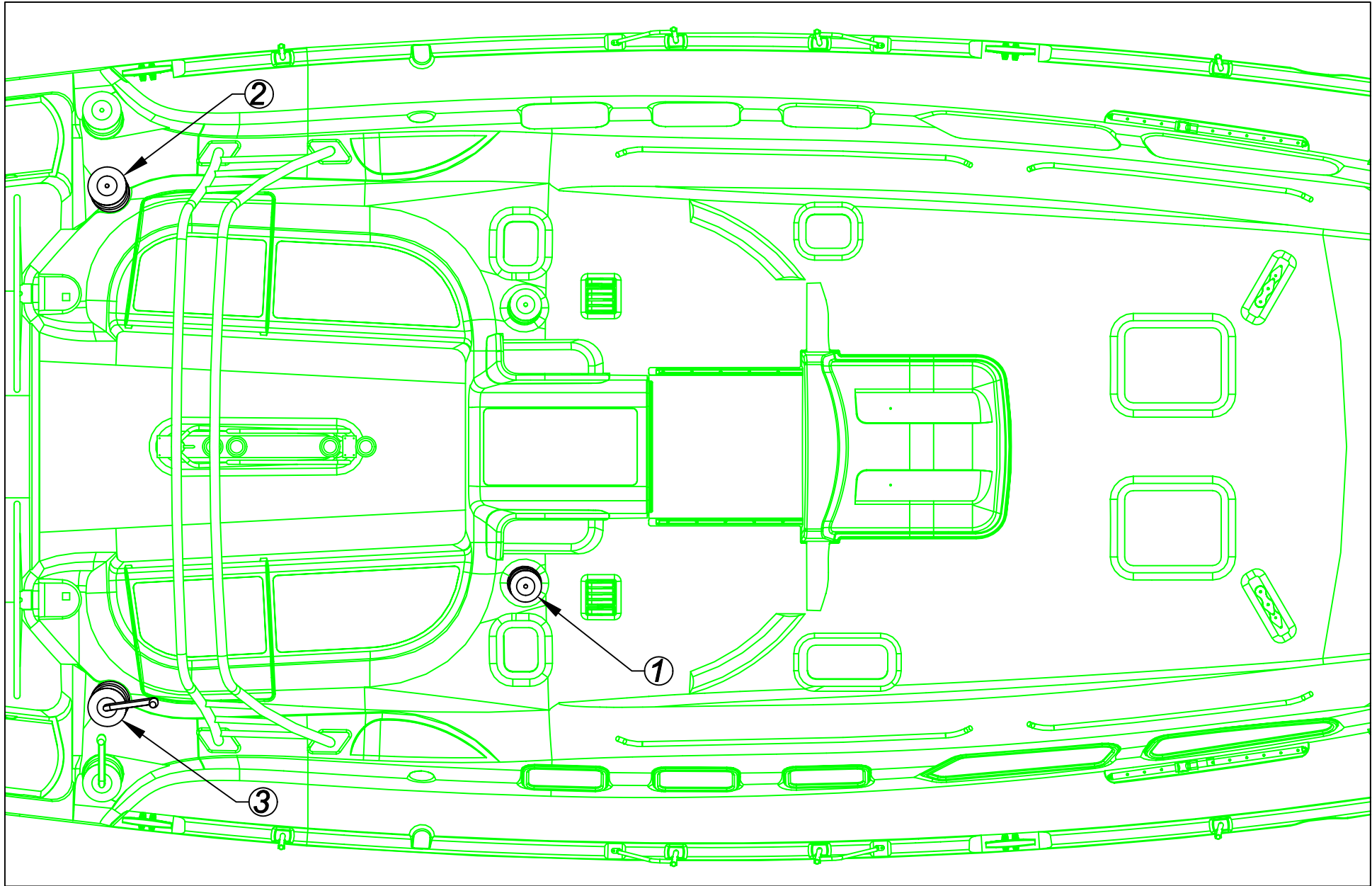


- 1 OPTIONAL OVERLAPPING JIB SHEET TRACK
- 2 OPTIONAL OVERLAPPING JIB SHEET WINCH
- 3 STD. MAINSHEET / OVERLAPPING JIB SHEET WINCH

DRAWING TITLE: OPT. OVERLAPPING JIB WINCH LAYOUT	
DRAWING NO. 488038C	REVISION NO. None
DRAWN BY: ENG	DATE: 03/01/06



1 OPTIONAL SPINNAKER SHEET WINCH (#54)



- 1 STD RIGGING WINCH (OPT. ELEC. #44)
- 2 STD. MAINSHEET WINCH (OPT. ELEC. #54)
- 3 OPT. OVERLAPPING JIB SHEET WINCH (OPT. ELEC. #54)

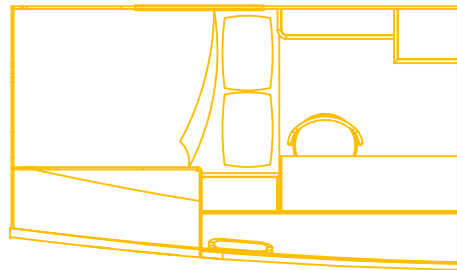
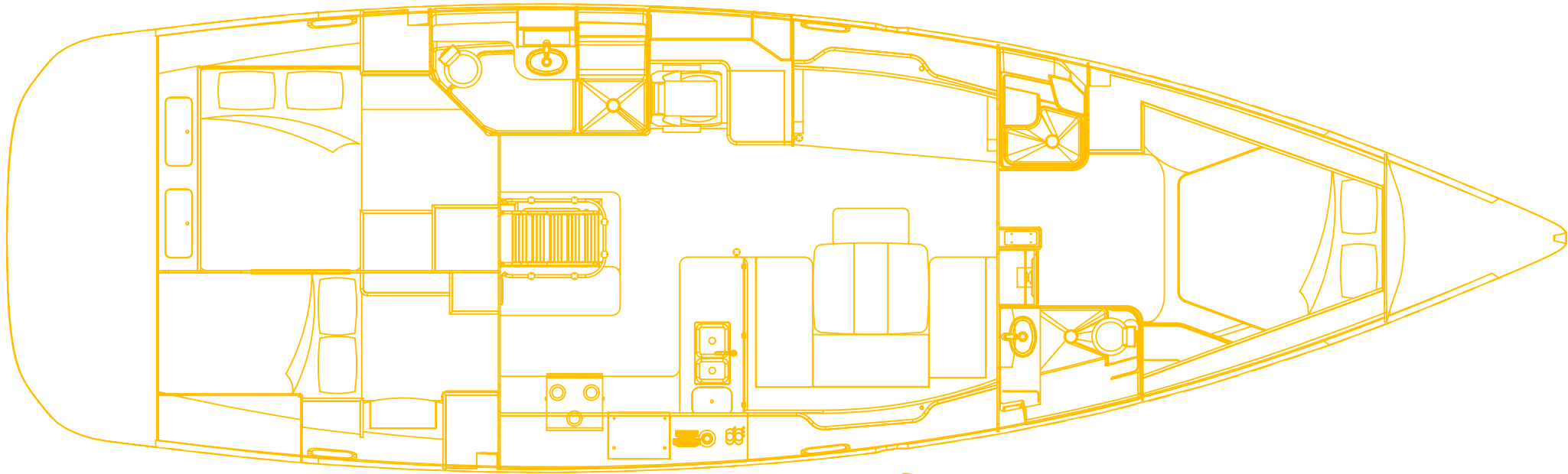
DRAWING TITLE: OPTIONAL ELECTRIC WINCH LAYOUT	
DRAWING NO. 488038E	REVISION NO. None
DRAWN BY: ENG	DATE: 03/01/06

H49 DECK HARDWARE LIST

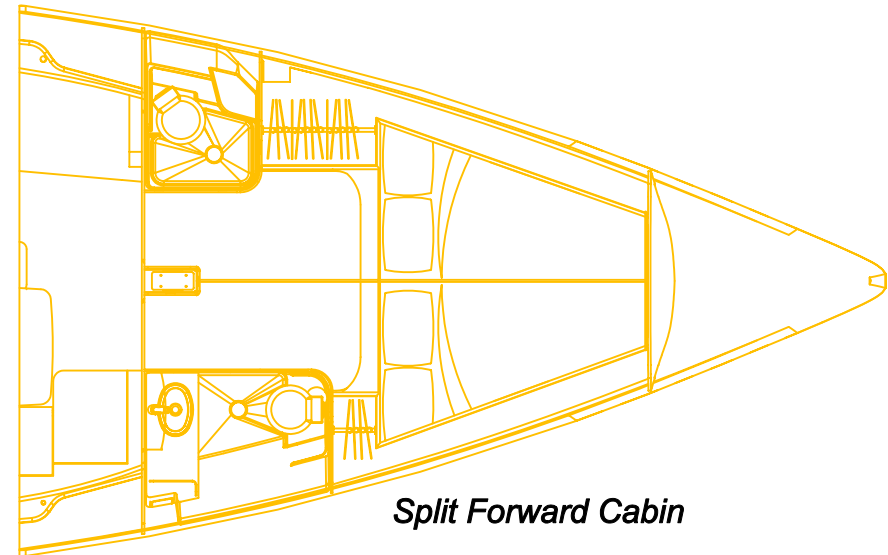
Item Label	Qty	Description
1	1	Bowroller Assembly
2	1	Bowrail with 4 stanchion bases
3	1	Anchorlid (RTM part)
4	2	Anchorlid Hinges
5	1	Anchorlid latch with striker plate
6	1	Windlass
7	1	Anchorwell U-Bolt
8	1	Anchorwell Cleat
9	8	Cleats
10	8	2-line Stanchion with base
11	4	Gate Stanchion with base
12	2	Outer Chainplate
13	2	Inner Chainplate
14	2	Size 44 Winch
15	4	Size 54 Winch
16	1	Mast Step
17	1	Compression Post
18	1	Seahood (small part)
19	2	Deck Organizers
20	2	Sheetstoppers
21	1	Size 60 Hatch (smoked)
22	2	Size 10 Hatch (frosted)
23	4	Size 54 Hatch (smoked)
24	1	Size 41 Hatch (smoked)
25	4	Jib Track Lead System (1m)
26	2	Dorade Vent
27	2	Dorade deck plate
28	1	Quad Cover
29	1	Companionway Slider Asm
30	1	Companionway Drop-Board Asm
31	1	Engine Panel
32	2	Steering System
33	1	Line Locker - port (RTM part)
34	1	Line Locker - stbd (RTM part)
35	1	LPG Locker liner (small part)
36	1	LPG Locker lid (RTM part)
37	2	LPG Hinges
38	1	LPG Lid Latch
39	1	Storage Locker Liner (small part)
40	1	Storage Locker Lid (RTM part)
41	2	Storage Locker lid hinges
42	1	Storage Locker lid latch
43	1	Arch
44	1	Size 3 Portlight (smoked opening)
45	2	Size 1 Portlight (smoked opening)
46	2	Size 1 Portlight (frosted opening)
47	1	Size 3 Portlight (frosted opening)
48	2	Size 03 Hatch (smoked)
49	1	Size 03 Hatch (frosted)
50	1	Custom Portlight STBD (fixed)
51	1	Custom Portlight Port (fixed)
52	2	Windshield custom plexiglass (STBD/Port)
53	1	Cockpit Flexiteak
54	1	Transom Flexiteak
55	1	Sternrail - port
56	1	Sternrail - stbd
57	1	Transom Lid - port (RTM part)
58	1	Transom Lid - stbd (RTM part)
59	4	Locker Lid Hinges
60	4	Locker Lid Latches
61	1	Transom storage liner - port (small part)
62	1	Transom storage liner - stbd (small part)
63	1	Gullwing Locker Lid - port (RTM part)
64	1	Gullwing Locker Lid - stbd (RTM part)
65	4	Locker Lid Hinges
66	2	Locker Lid Hatch
67	1	Gullwing Storage Liner - port (small part)
68	1	Gullwing Storage Liner - stbd (small part)
69	1	Transom Swim Ladder (16"wide)
70	1	Helm Seat Locker Lid - port (RTM part)
71	1	Helm Seat Locker Lid - stbd (RTM part)
72	4	Locker Lid Hinges
73	2	Locker Lid Latch
74	1	Helm Seat Storage Liner - port (small part)
75	1	Helm Seat Storage Liner - stbd (small part)
76	1	Cockpit Table Assembly
77	1	Self-Tacking Jib Track Assembly

H49

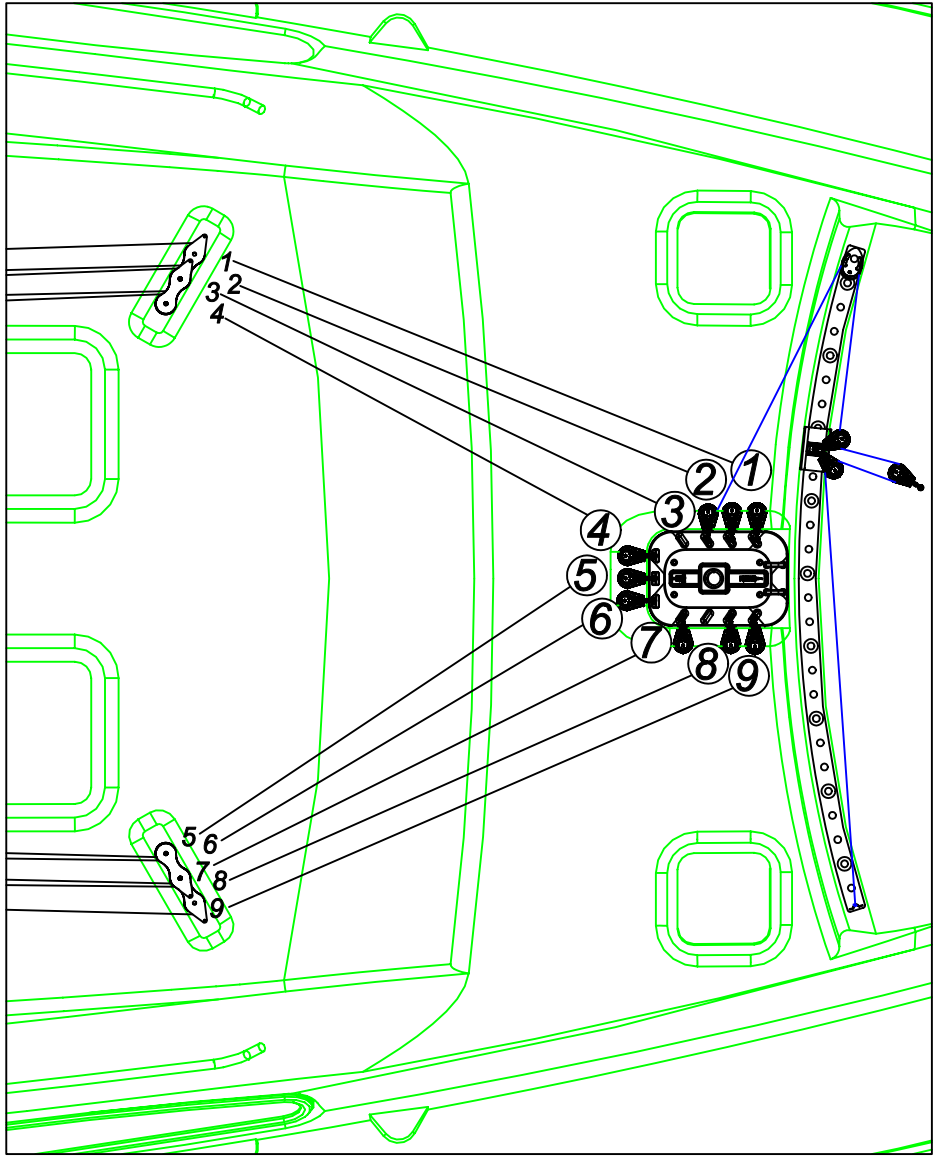
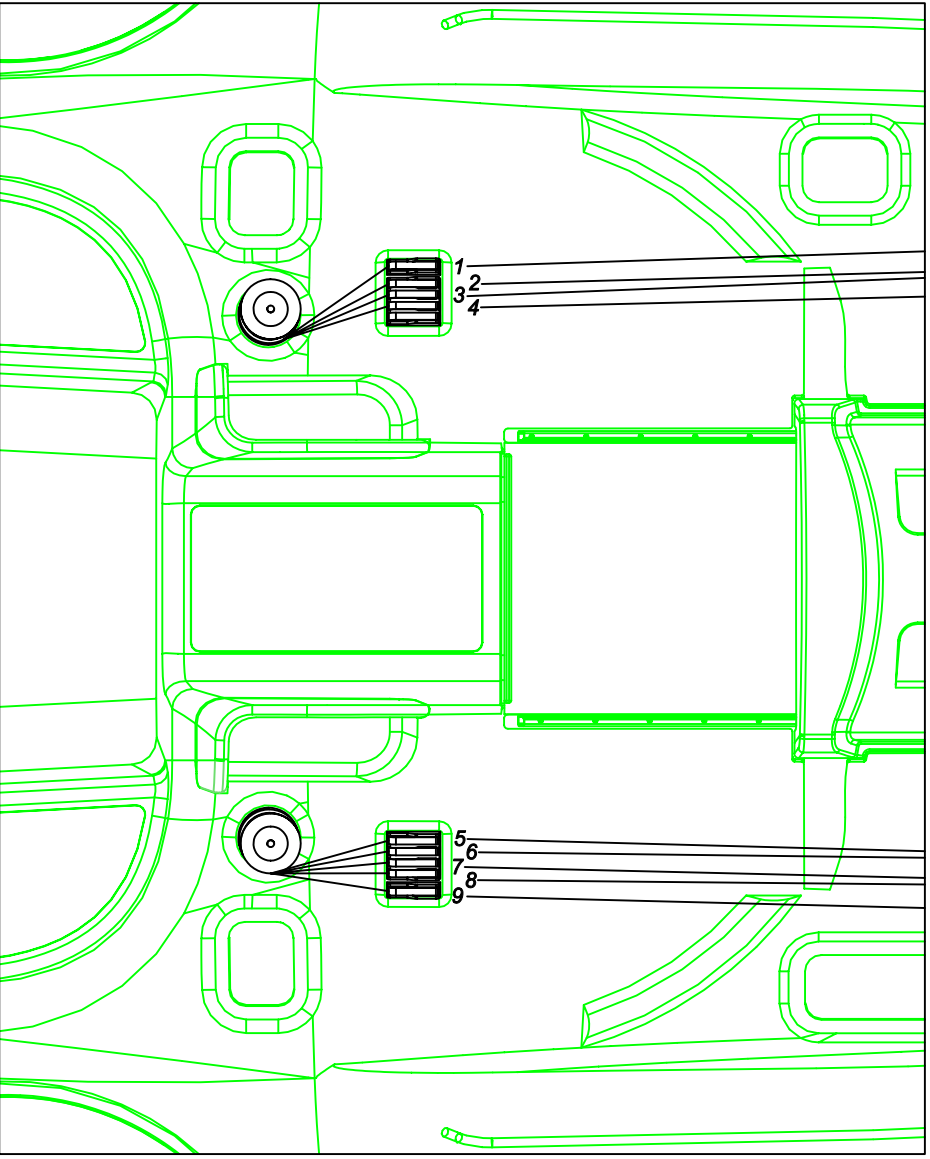
Interior Layout



Workbench/Desk Layout

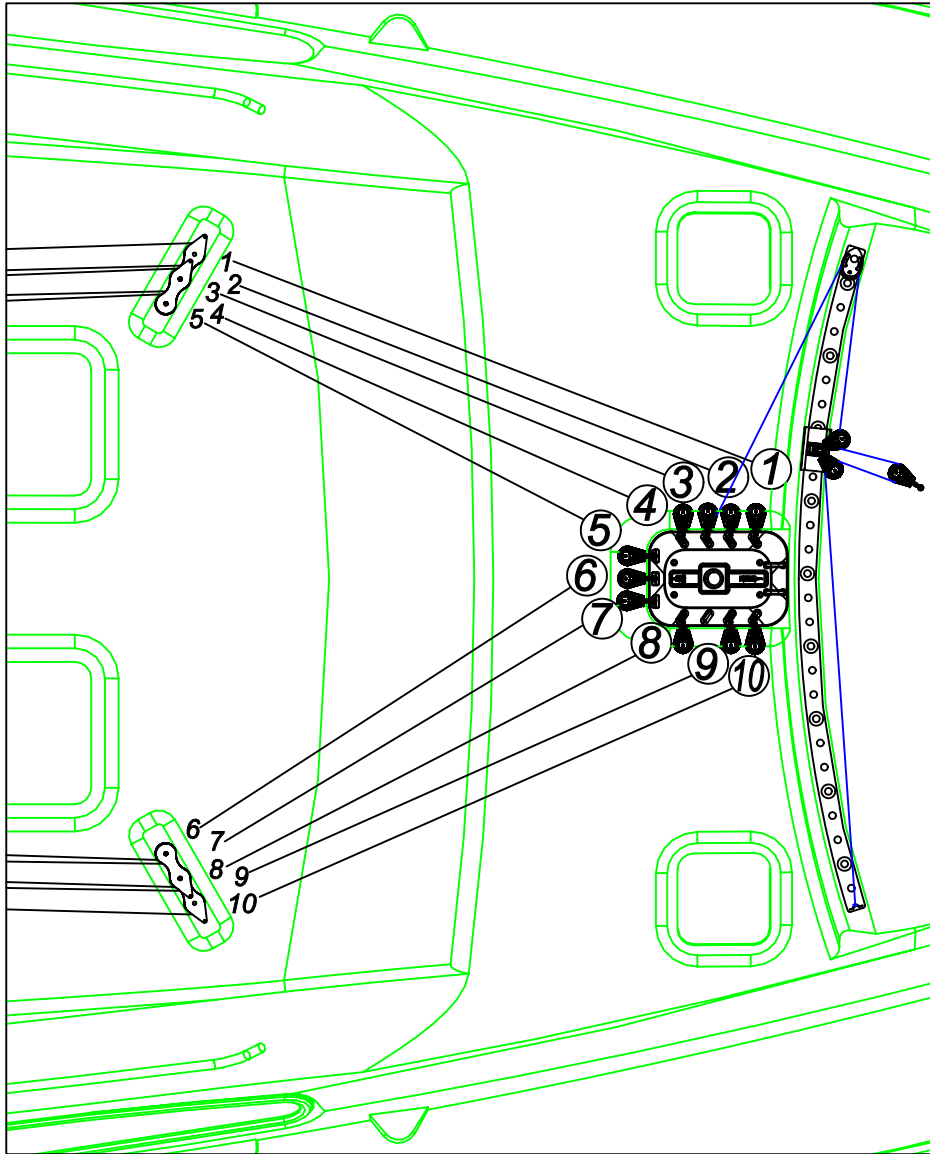
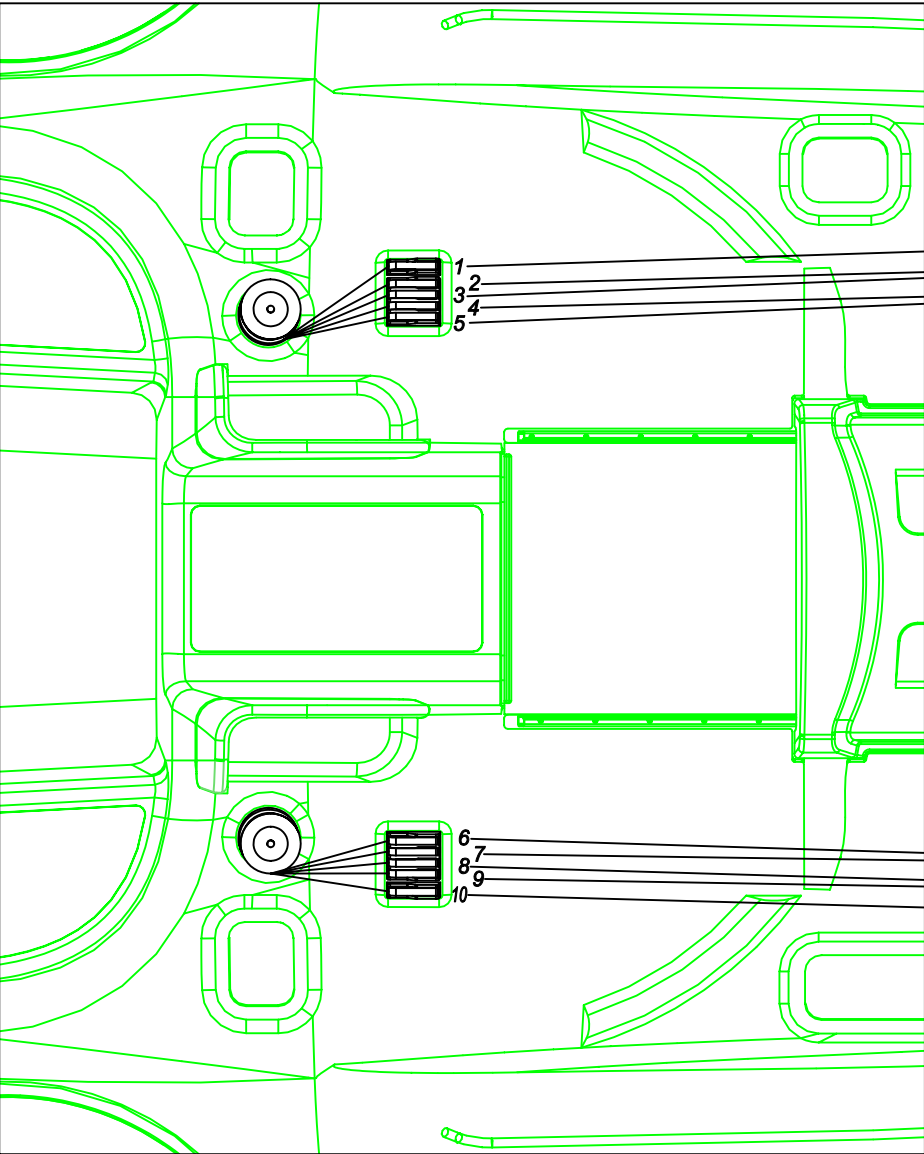


Split Forward Cabin



- 1 OPT SPINNAKER HALYARD
 - 2 JIB HALYARD *
 - 3 SELF-TACKING JIB SHEET
 - 4 #2 REEF *
 - 5 VANG LINE
 - 6 #1 REEF *
 - 7 MAINSHEET
 - 8 MAIN HALYARD
 - 9 OPT STAYSAIL HALYARD
- * RUNS THROUGH TOP ORGANIZER BLOCK

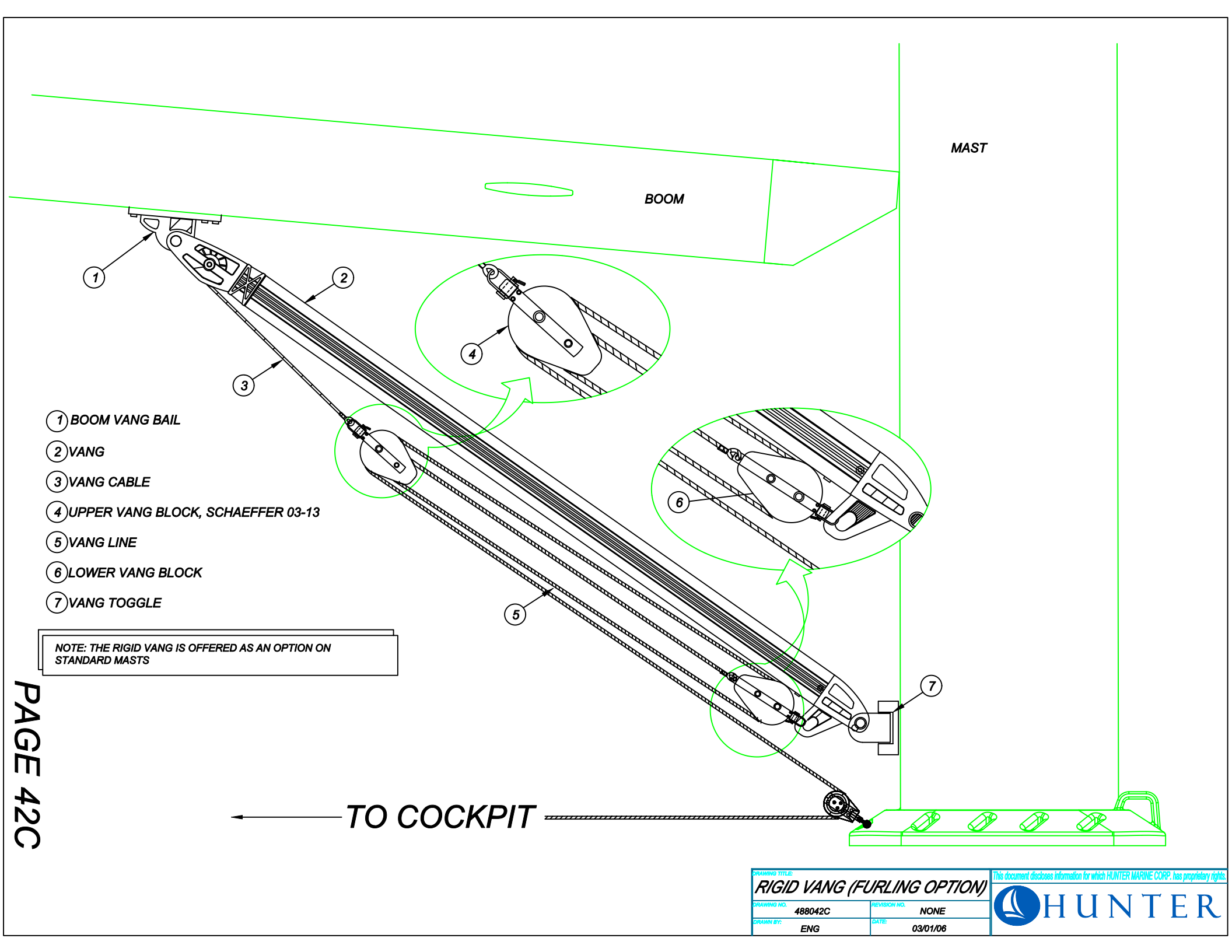
DRAWING TITLE: STANDARD RUNNING RIGGING	
DRAWING NO: 488042A-1	REVISION NO: None
DRAWN BY: ENG	DATE: 03/01/06



- 1 OPT SPINNAKER HALYARD
 - 2 JIB HALYARD *
 - 3 SELF-TACKING JIB SHEET
 - 4 FURLING LINE *
 - 5 FURLING LINE
 - 6 VANG LINE
 - 7 OUTHAUL *
 - 8 MAINSHEET
 - 9 MAIN HALYARD *
 - 10 STAYSAIL HALYARD
- * RUNS THROUGH TOP ORGANIZER BLOCK

DRAWING TITLE: FURLING RUNNING RIGGING	
DRAWING NO: 488042A-2	REVISION NO: None
DRAWN BY: ENG	DATE: 03/01/06

This document discloses information for which HUNTER MARINE CORP. has proprietary rights.



MAST

BOOM

① BOOM VANG BAIL

② VANG

③ VANG CABLE

④ UPPER VANG BLOCK, SCHAEFFER 03-13

⑤ VANG LINE

⑥ LOWER VANG BLOCK

⑦ VANG TOGGLE

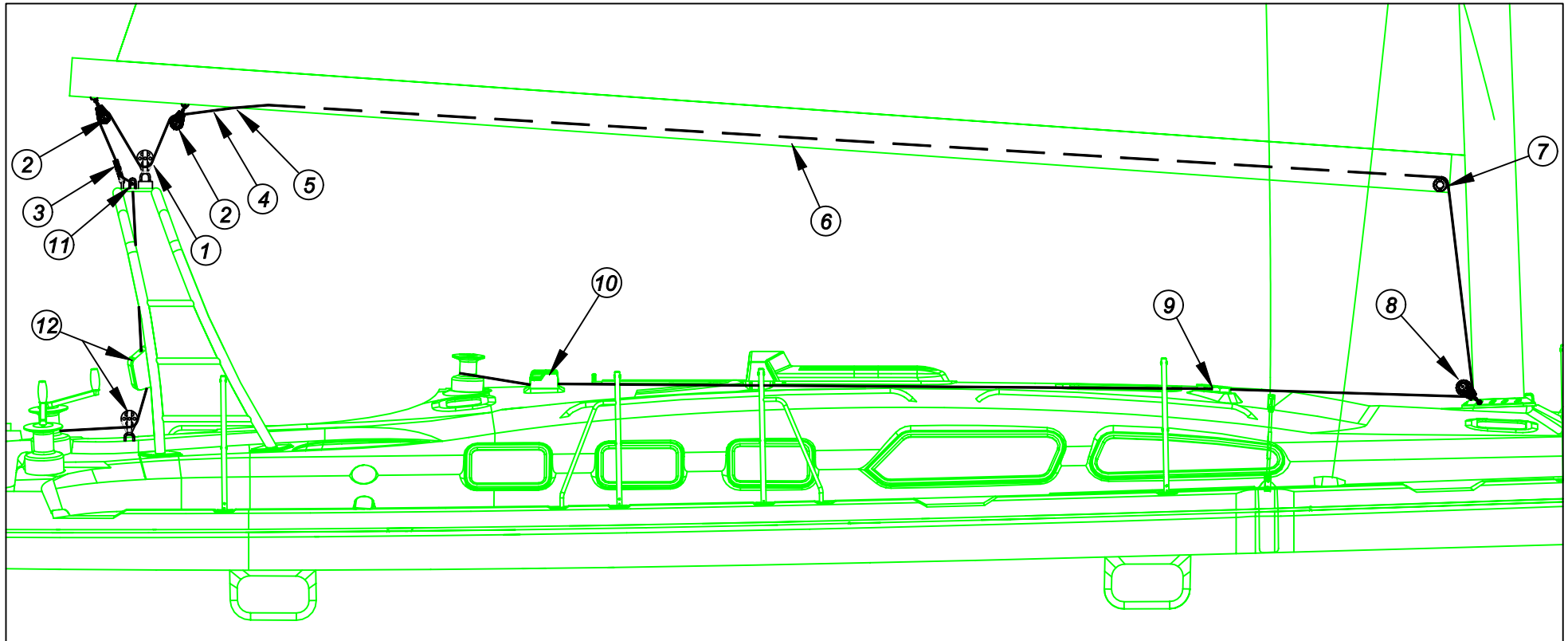
NOTE: THE RIGID VANG IS OFFERED AS AN OPTION ON STANDARD MASTS

← TO COCKPIT

PAGE 42C

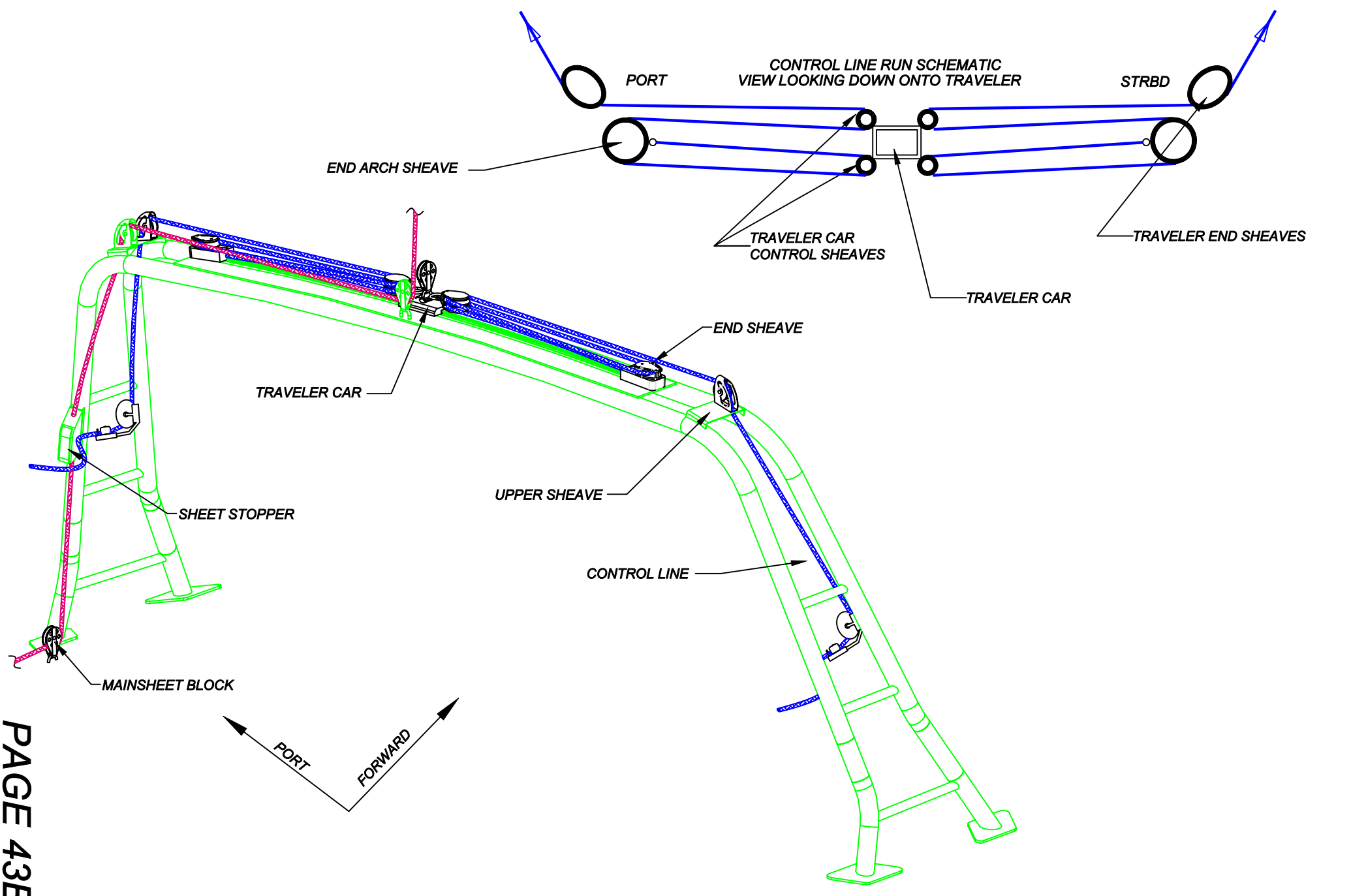
DRAWING TITLE: RIGID VANG (FURLING OPTION)	
DRAWING NO. 488042C	REVISION NO. NONE
DRAWN BY: ENG	DATE: 03/01/06

This document discloses information for which HUNTER MARINE CORP. has proprietary rights.



- 1 BLOCK ON TRAVELER CAR
- 2 BOOM BALE AND MAINSHEET BLOCK
- 3 ARCH BLOCK ON BALE TO ARCH UPPER SHEAVE
- 4 MAINSHEET
- 5 MAINSHEET BOOM EXIT
- 6 MAINSHEET RUN INSIDE BOOM
- 7 MAINSHEET SHEAVE INSIDE FWD BOOM END
- 8 MAINSHEET BLOCK AT MAST STEP
- 9 MAINSHEET THRU BLOCK ORGANIZERS
- 10 MAINSHEET THROUGH SHEET STOPPER TO WINCH
- 11 ARCH UPPER SHEAVE FOR MAIN SHEET (PORT SIDE)
- 12 MAINSHEET THROUGH SHEET STOPPER AND BLOCK TO WINCH

<small>DRAWING TITLE:</small> DUAL ENDED MAINSHEET PURCHASE LAYOUT	
<small>DRAWING NO.</small> 488043A	<small>REVISION NO.</small> None
<small>DRAWN BY:</small> ENG	<small>DATE:</small> 03/01/06

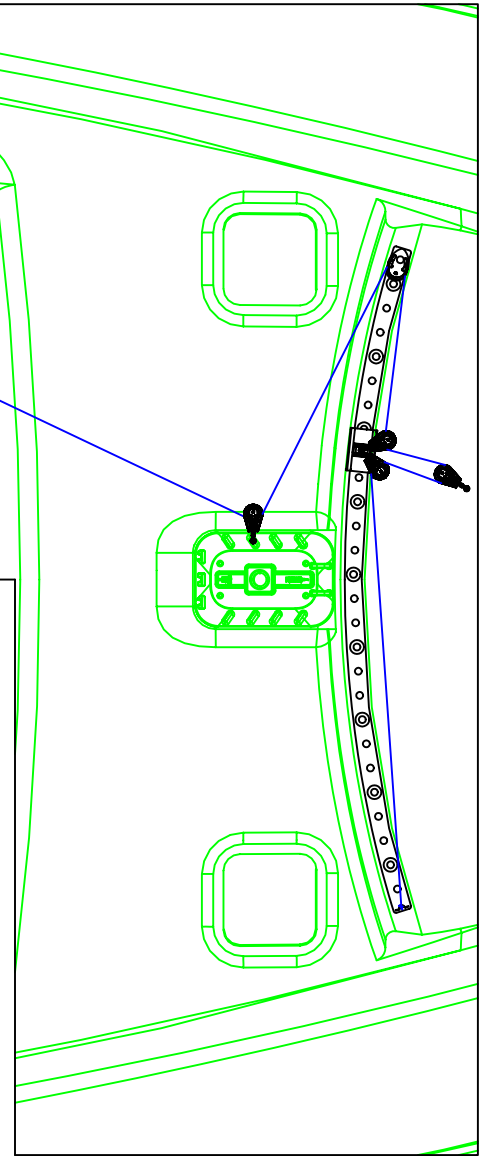
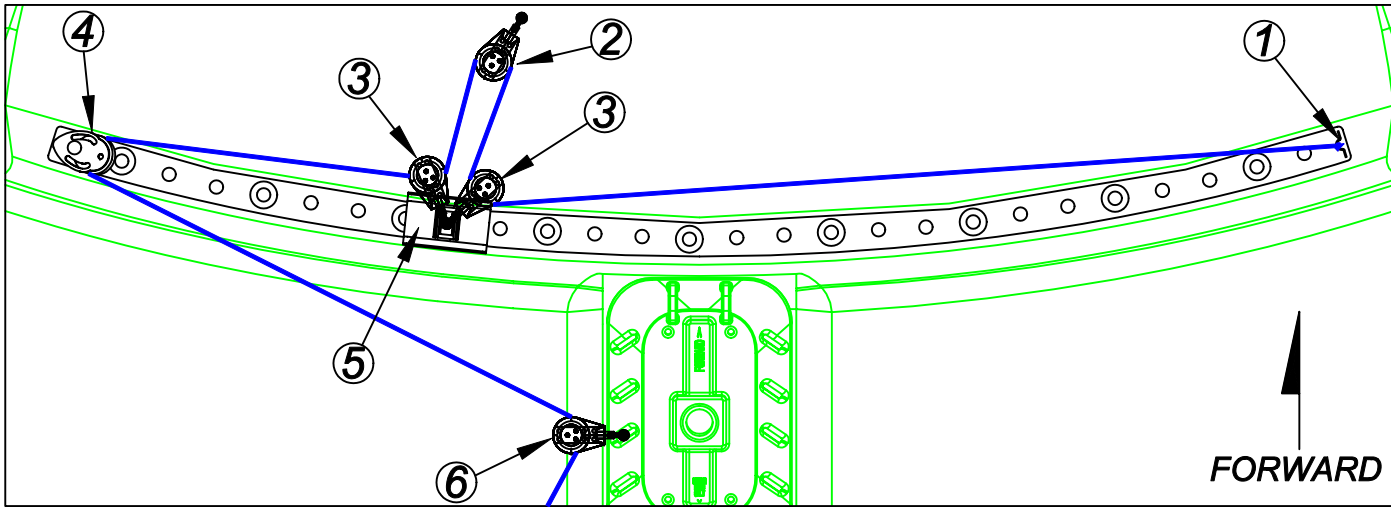
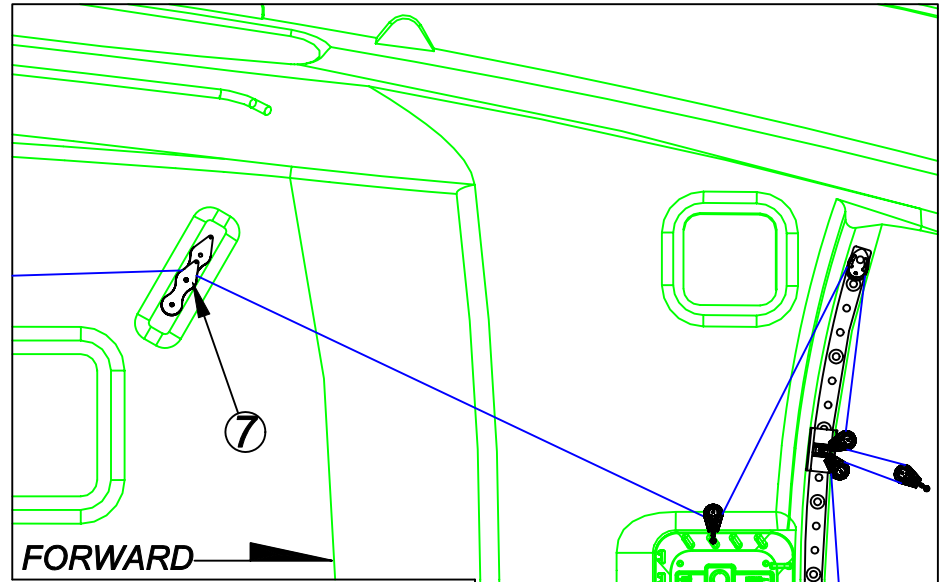
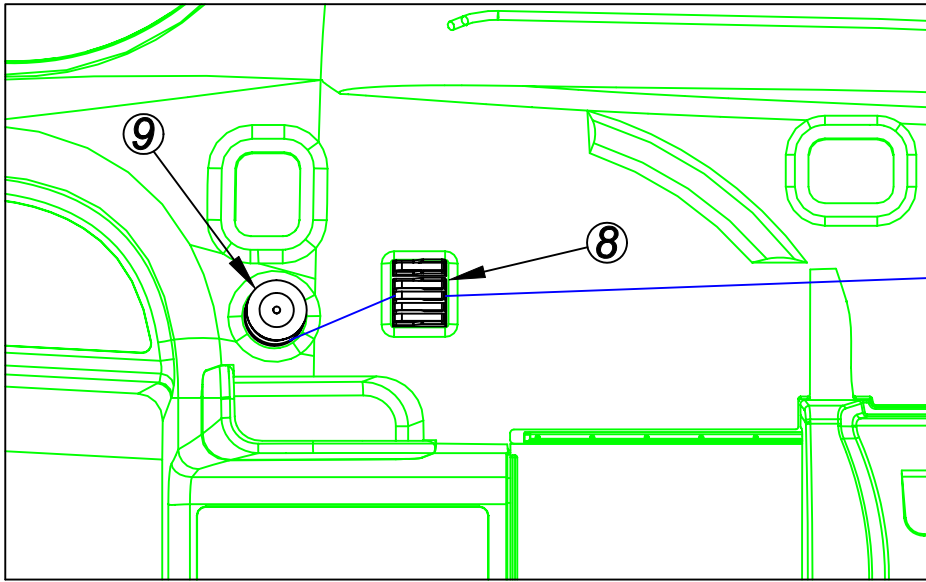


PAGE 43B

DRAWING TITLE: MAINSHEET TRAVELER	
DRAWING NO. 488043B	REVISION NO. NONE
DRAWN BY: ENG	DATE: 03/01/06

This document discloses information for which HUNTER MARINE CORP. has proprietary rights.





- | | |
|----------------------------------|-------------------|
| 1 JIB SHEET BAIL FOR DEAD END | 6 JIB SHEET BLOCK |
| 2 JIB CLEW BLOCK | 7 DECK ORGANIZER |
| 3 JIB SHEET CAR BLOCK | 8 SHEET STOPPER |
| 4 JIB SHEET TRACK TURNING SHEAVE | 9 WINCH |
| 5 JIB SHEET CAR | |

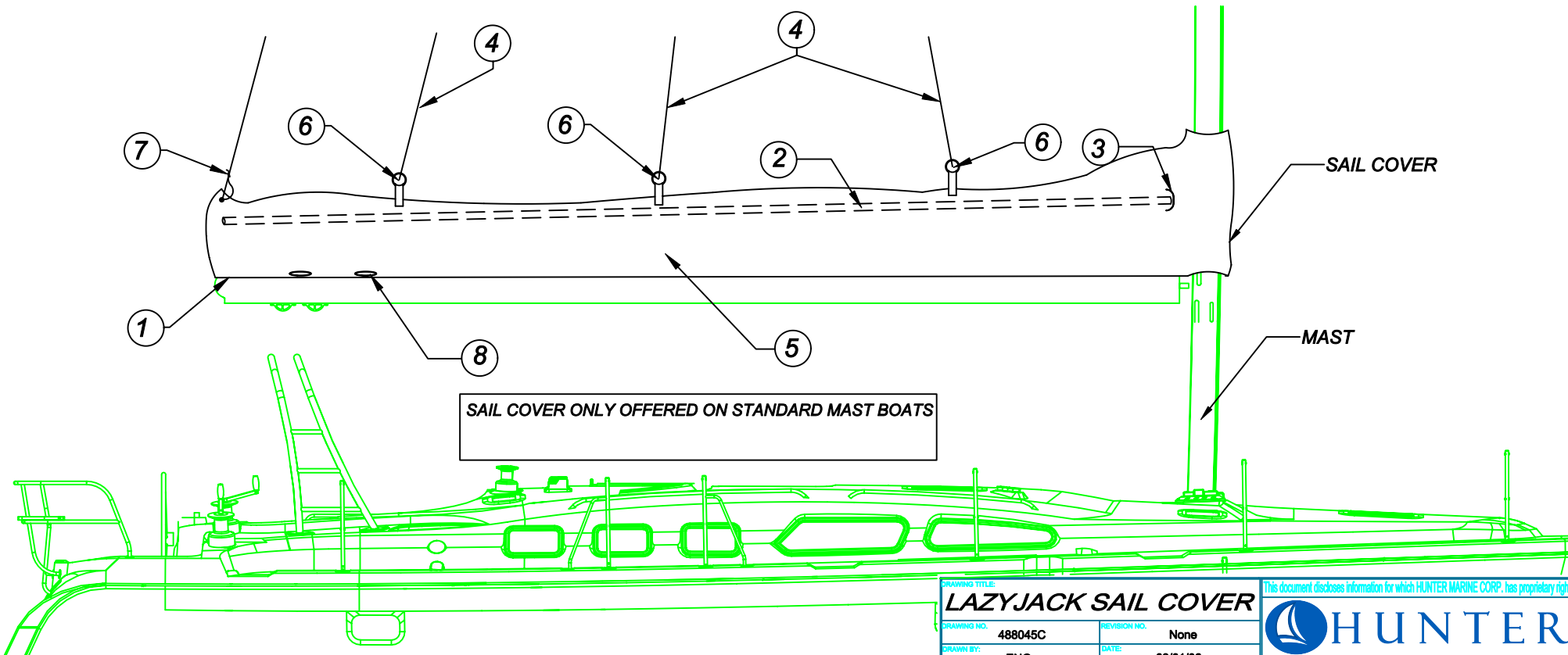
DRAWING TITLE: SELF-TACKING JIB SHEET	
DRAWING NO. 488043C	REVISION NO. None
DRAWN BY: ENG	DATE: 03/01/06

SLIDE THE BOLTROPE INTO BOOM TRACK①. START FROM THE AFT END AND MAKE YOUR WAY FORWARD.

INSTALL THE PVC BATTENS② INTO EACH HALF OF THE SAIL COVER. THERE ARE POCKETS③ THAT OPEN TOWARDS THE FRONT, ON THE INSIDE OF THE COVER. SLIDE THE BATTENS INTO PLACE FROM THE FRONT, AND ROLL THE INSIDE LIP OF THE POCKET BACK IN ORDER TO HOLD THE BATTENS STATIONARY.

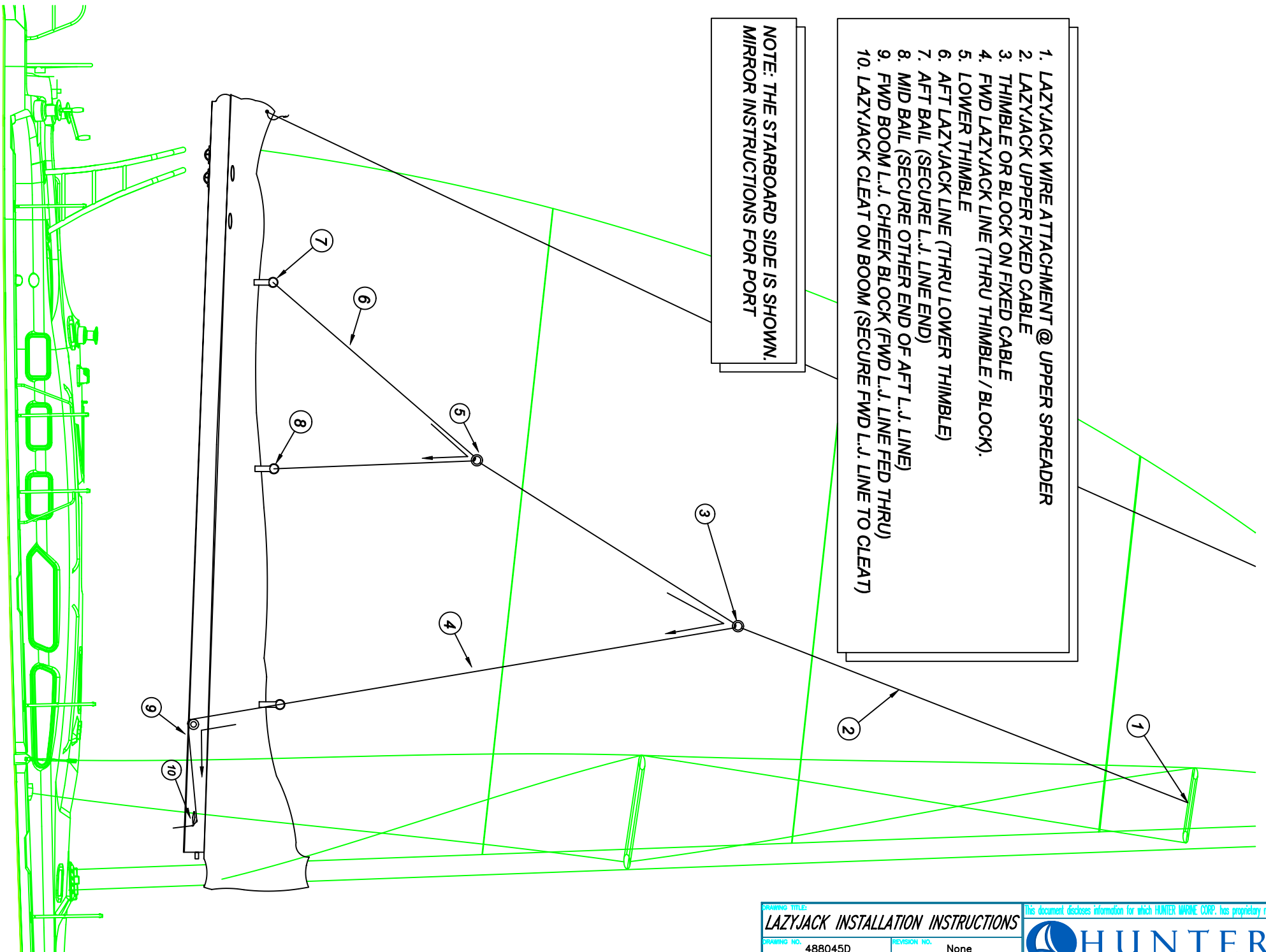
FEED THE LAZYJACK LINES ④ TO THE SAIL COVER ⑤ AND DEAD END THE LINES TO THE FWD AND AFT BAILS ⑥ ON THE SAIL COVER.

TIE THE AFT END OF THE SAIL COVER UP TO THE TOPPING LIFT LINE USING THE PIECE OF STRING PROVIDED⑦. USE HALF HITCH KNOTS TO SECURE THE COVER IN PLACE AT THE OUTER END OF THE BOOM. THE REEF LINES RUN OUT THROUGH THE COVER SLOTS⑧ AND TIE OFF.



1. LAZYJACK WIRE ATTACHMENT @ UPPER SPREADER
2. LAZYJACK UPPER FIXED CABLE
3. THIMBLE OR BLOCK ON FIXED CABLE
4. FWD LAZYJACK LINE (THRU THIMBLE / BLOCK).
5. LOWER THIMBLE
6. AFT LAZYJACK LINE (THRU LOWER THIMBLE)
7. AFT BAIL (SECURE L.J. LINE END)
8. MID BAIL (SECURE OTHER END OF AFT L.J. LINE)
9. FWD BOOM L.J. CHEEK BLOCK (FWD L.J. LINE FED THRU)
10. LAZYJACK CLEAT ON BOOM (SECURE FWD L.J. LINE TO CLEAT)

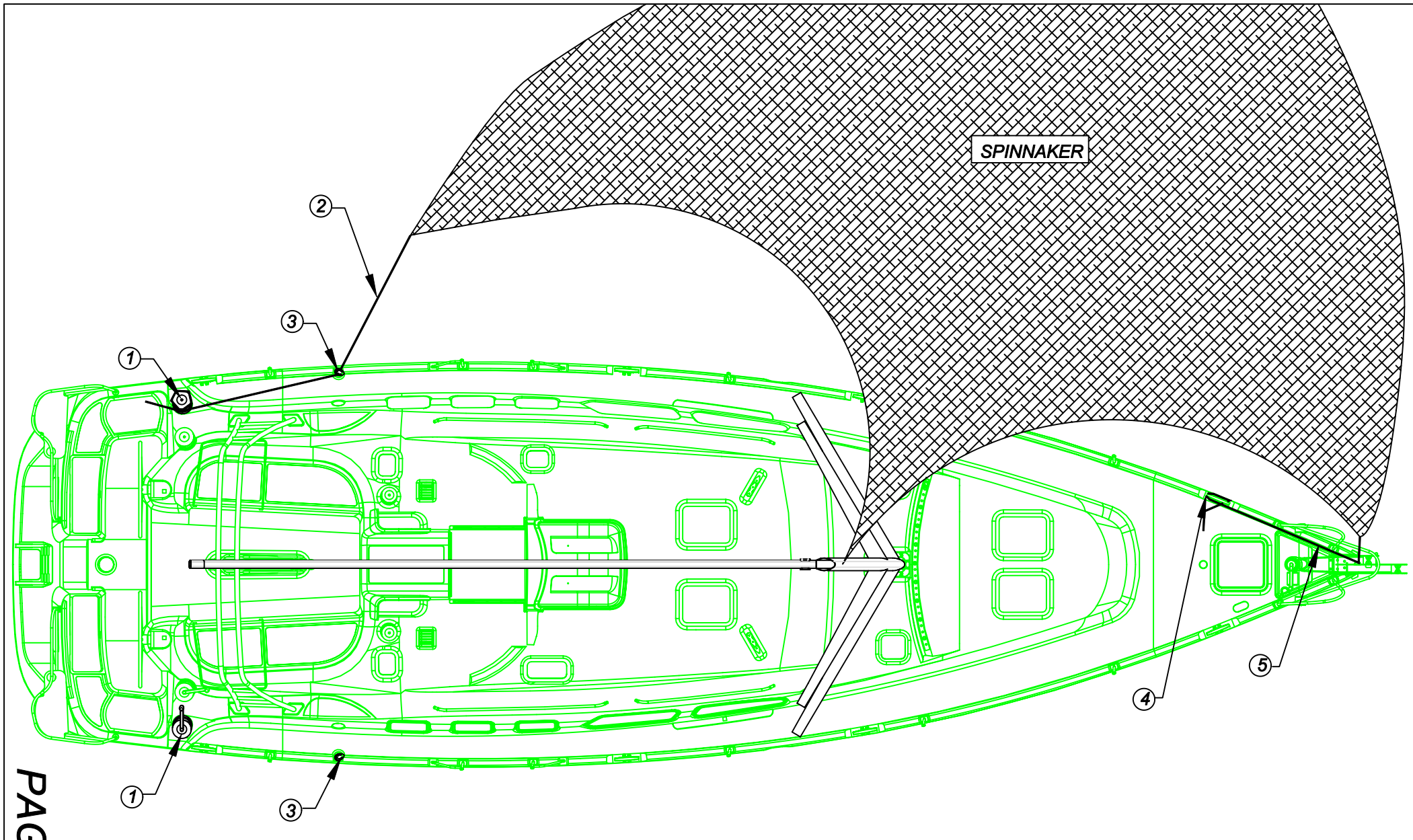
NOTE: THE STARBOARD SIDE IS SHOWN.
MIRROR INSTRUCTIONS FOR PORT



This document discloses information for which HUNTER MARINE CORP. has proprietary rights.



DRAWING TITLE: LAZYJACK INSTALLATION INSTRUCTIONS	
DRAWING NO. 488045D	REVISION NO. None
DRAWN BY: ENG	DATE: 03/01/06



SPINNAKER

- 1.SPINNAKER WINCH
- 2.SPINNAKER SHEET
- 3.SPINNAKER SHEET BLOCK
- 4.SPINNAKER TACK LINE CLEAT
- 5.SPINNAKER TACK LINE

SEE PAGES 42A-1&2 FOR SPINNAKER HALYARD LAYOUT

PAGE 54

DRAWING TITLE: OPTIONAL SPINNAKER LAYOUT	
DRAWING NO. 488054	REVISION NO. None
DRAWN BY: ENG	DATE: 03/01/06

This document discloses information for which HUNTER MARINE CORP. has proprietary rights.

