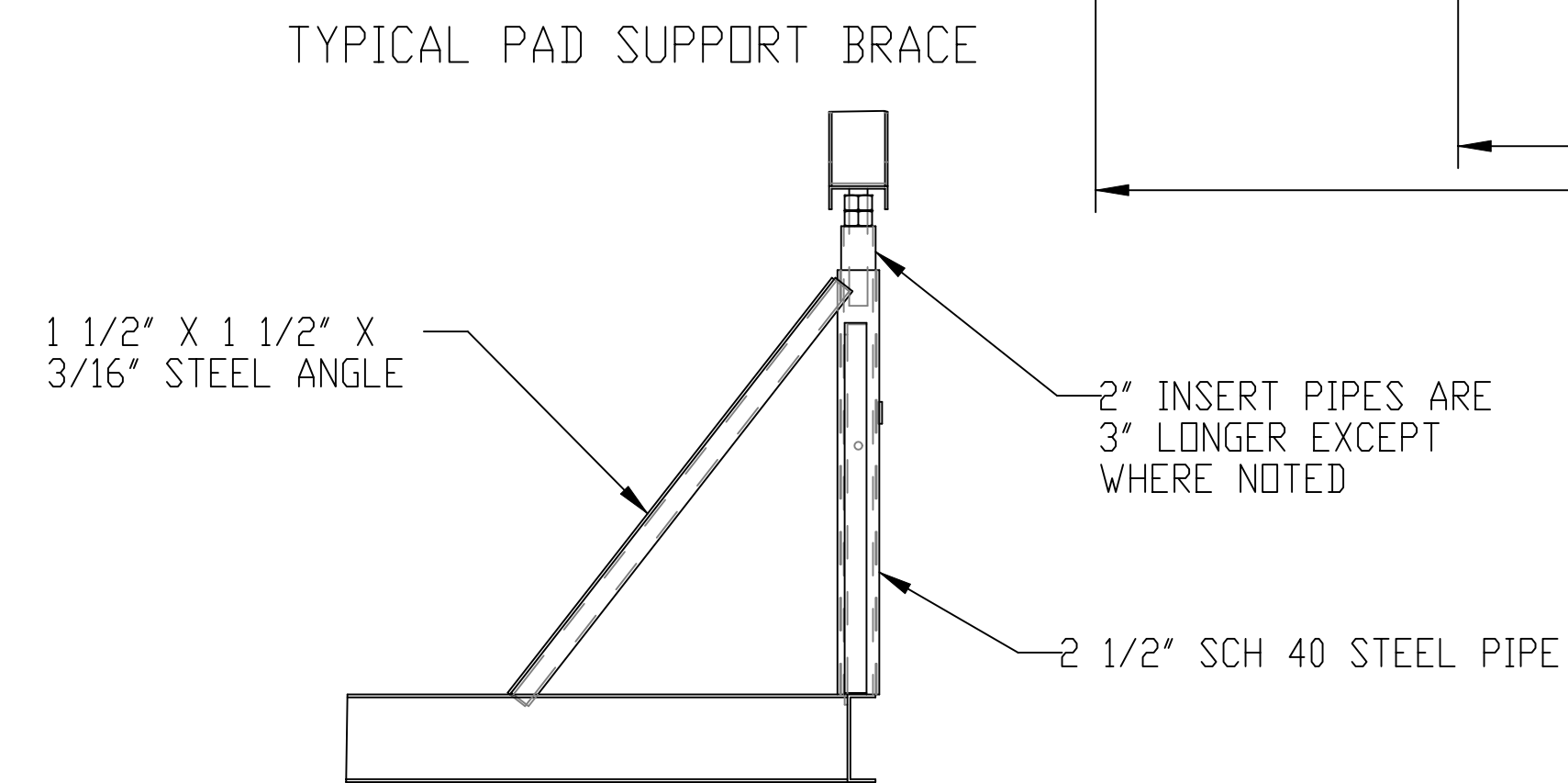
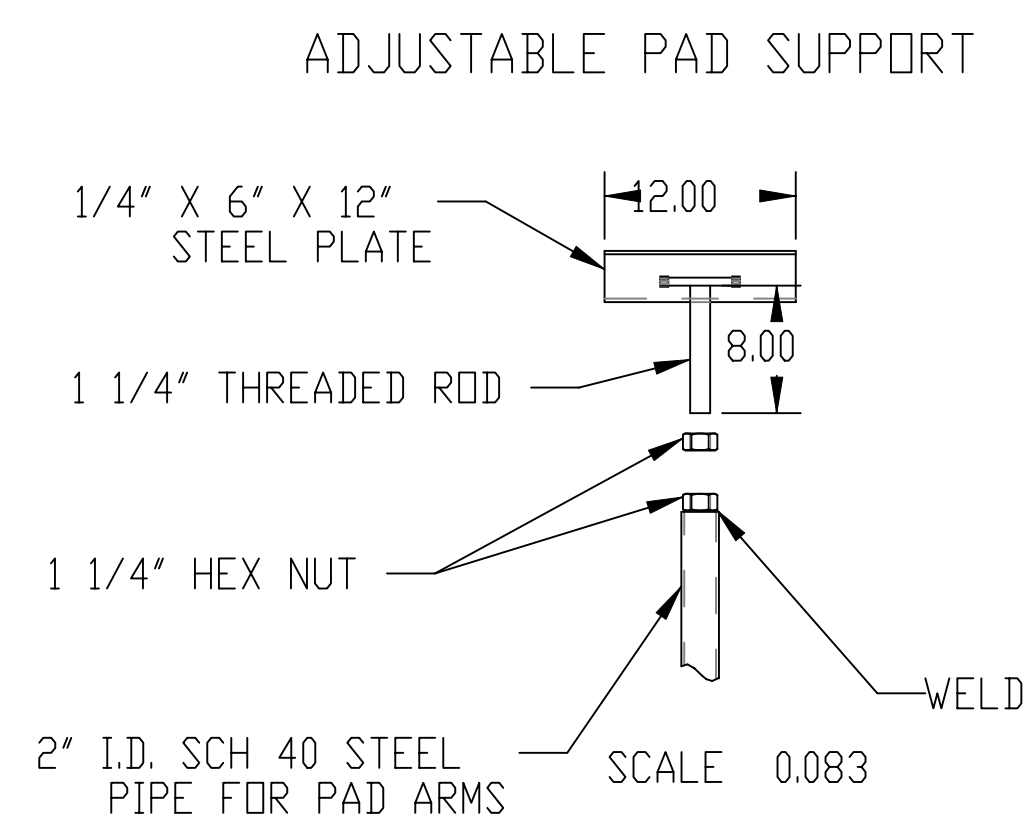
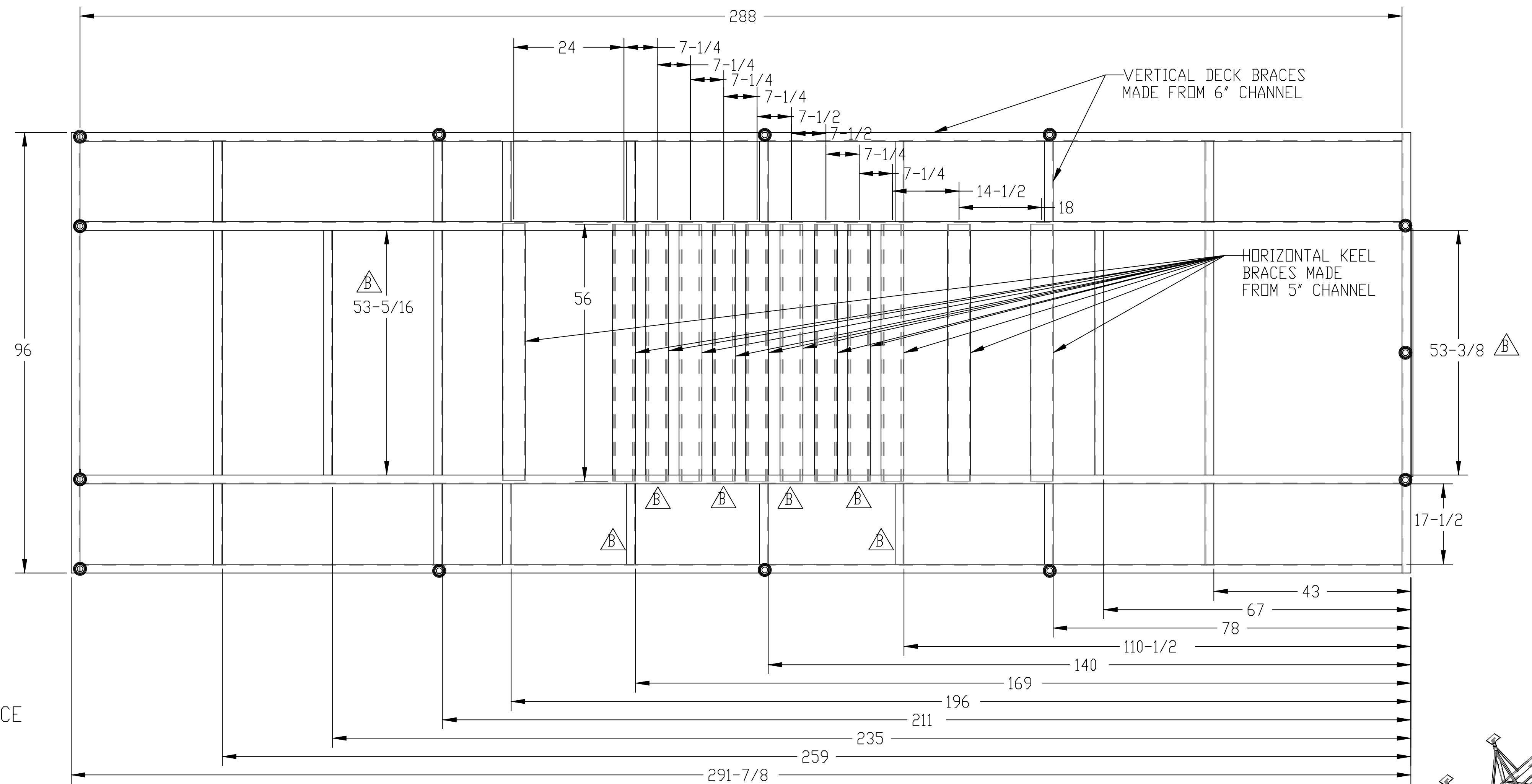
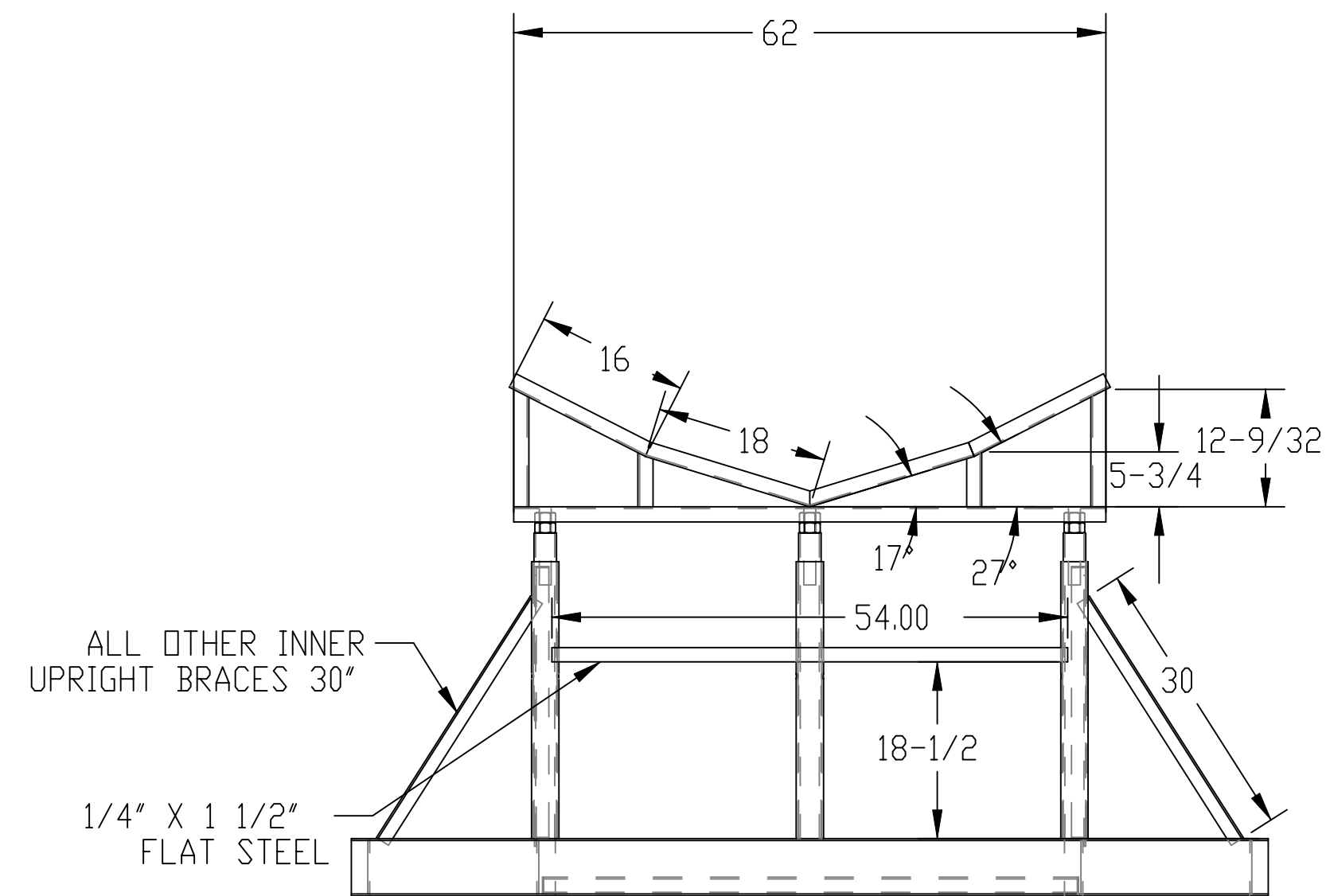
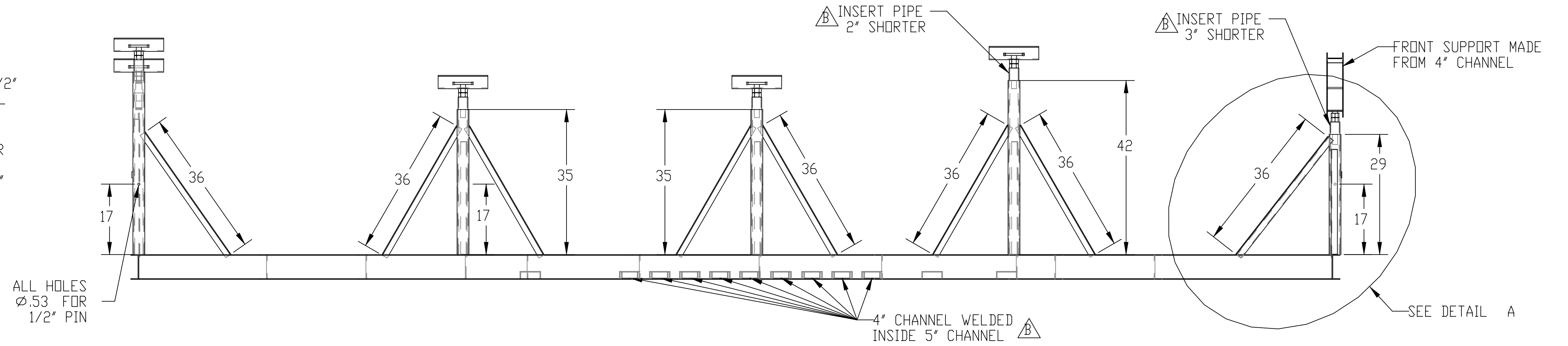
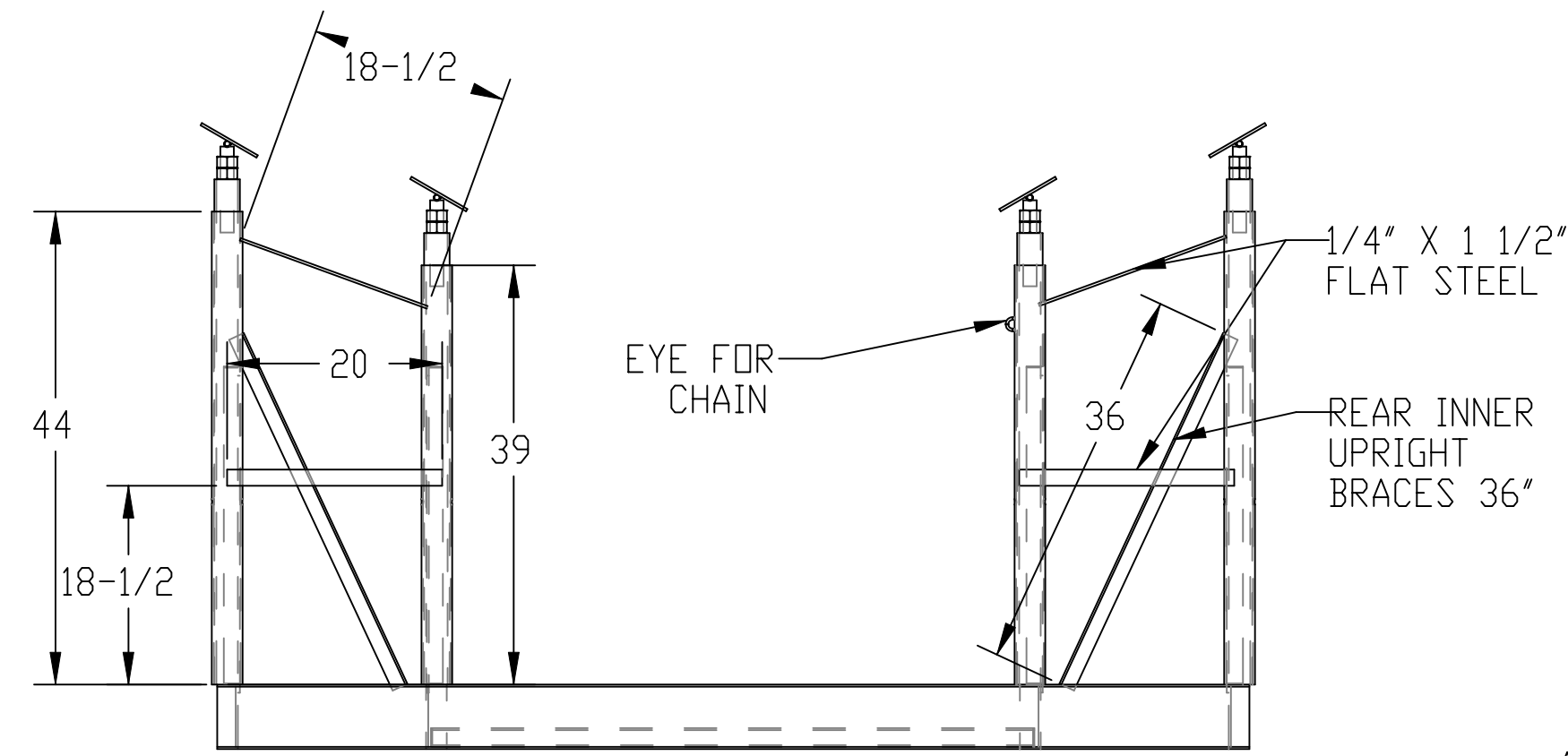
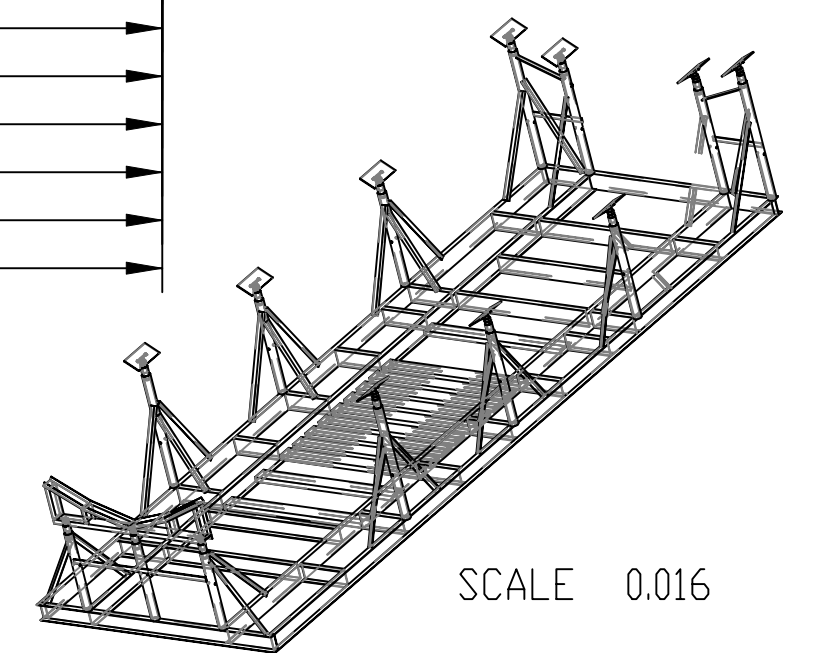


SYMBOL	REVISIONS	DATE	ENG
A	ORIGINAL ISSUE	7/18/05	AFF
B	UPDATED DIMS./ADDED BRACES	12-Apr-06	AFF



MATERIALS: 6" X .20" X 1.92" STEEL CHANNEL
 5" X .19" X 1.75" STEEL CHANNEL
 4" X .18" X 1.58" STEEL CHANNEL
 1 1/2" X 1 1/2" X 3/16" STEEL ANGLE
 2" I.D. SCH 40 STEEL TUBE
 2 1/2" I.D. SCH 40 STEEL TUBE
 1/4" X 1 1/4" FLAT STEEL



PROPRIETARY INFORMATION: THIS DRAWING CONTAINS INFORMATION FOR WHICH HUNTER MARINE CORPORATION HAS PROPRIETARY RIGHTS.

HUNTER 48

DRAWING TITLE: 48 SHIPPING CRADLE

DRAWN BY: AFF	DATE: 12-JULY-05	SHEET 1 OF 2
SCALE: 0.063	HUNTER PART NO: TBD	REVISION: A
		DRAWN BY: 48 SHIPPING CRADLE