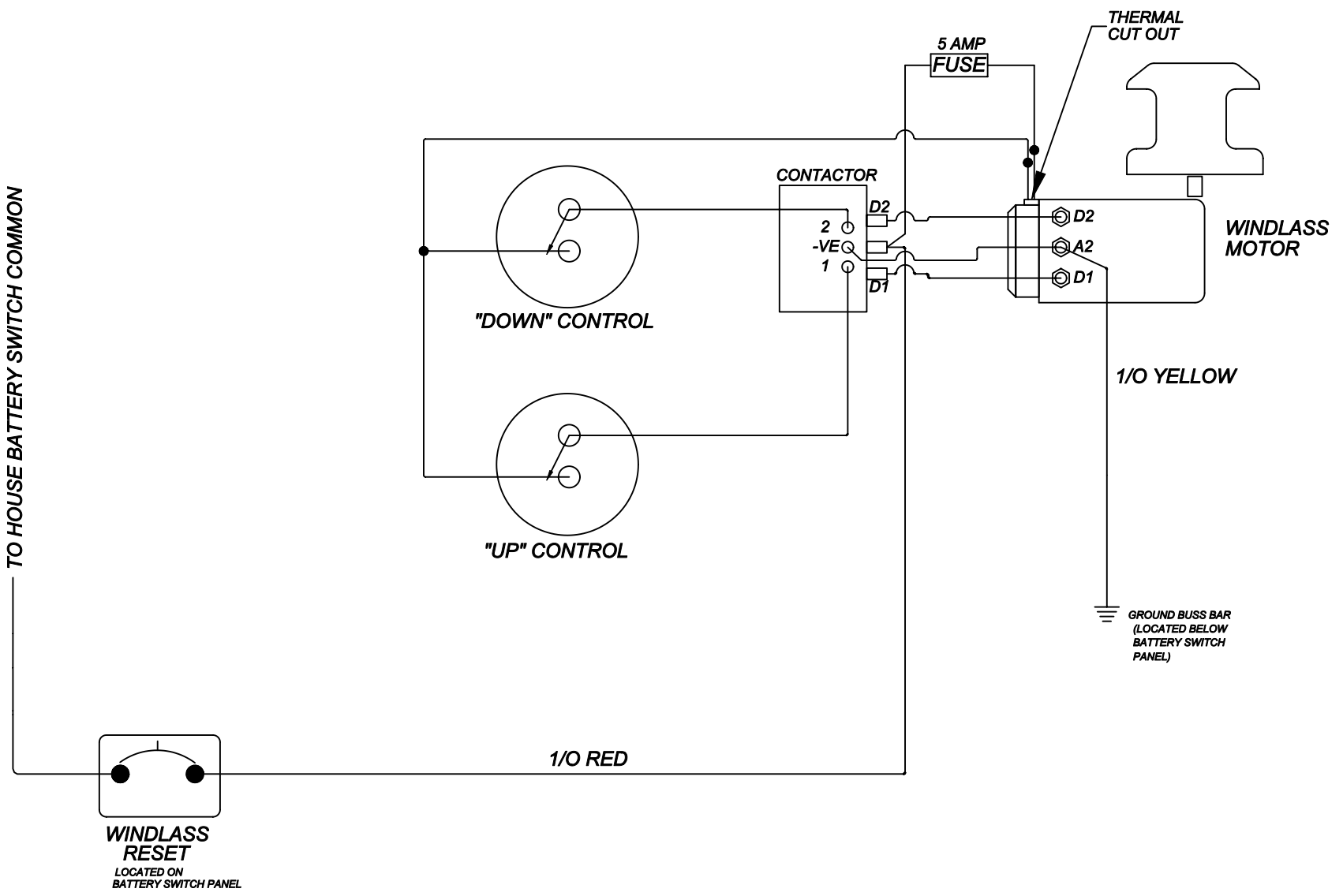


1. BATTERY SWITCH
2. WINDLASS BREAKER (ON BATTERY SW PANEL)
3. NEGATIVE BUS BAR IN BATTERY COMPARTMENT
4. NEGATIVE CABLE TO MOTOR
5. POWER LEAD FROM BREAKER TO SOLENOID BOX
6. 5 AMP IN-LINE FUSE
7. POWER LEADS TO "UP & DOWN" SWITCH
8. WINDLASS SOLENOID BOX
9. WINDLASS LOCATION
10. WINDLASS "UP & DOWN" CONTROLS

NOTE: SEE FOLLOWING PAGE FOR SCHEMATIC AND WIRE SPECS

DRAWING TITLE: OPTIONAL WINDLASS LAYOUT	
DRAWING NO. 488063H-2	REVISION NO. None
DRAWN BY: ENG	DATE: 03/01/06

TO HOUSE BATTERY SWITCH COMMON



DRAWING TITLE: WINDLASS WIRING SCHEMATIC	
DRAWING NO: 488064H-3	REVISION NO. NONE
DRAWN BY: ENG	DATE: 03/01/06

This document discloses information for which HUNTER MARINE CORP. has proprietary rights.

