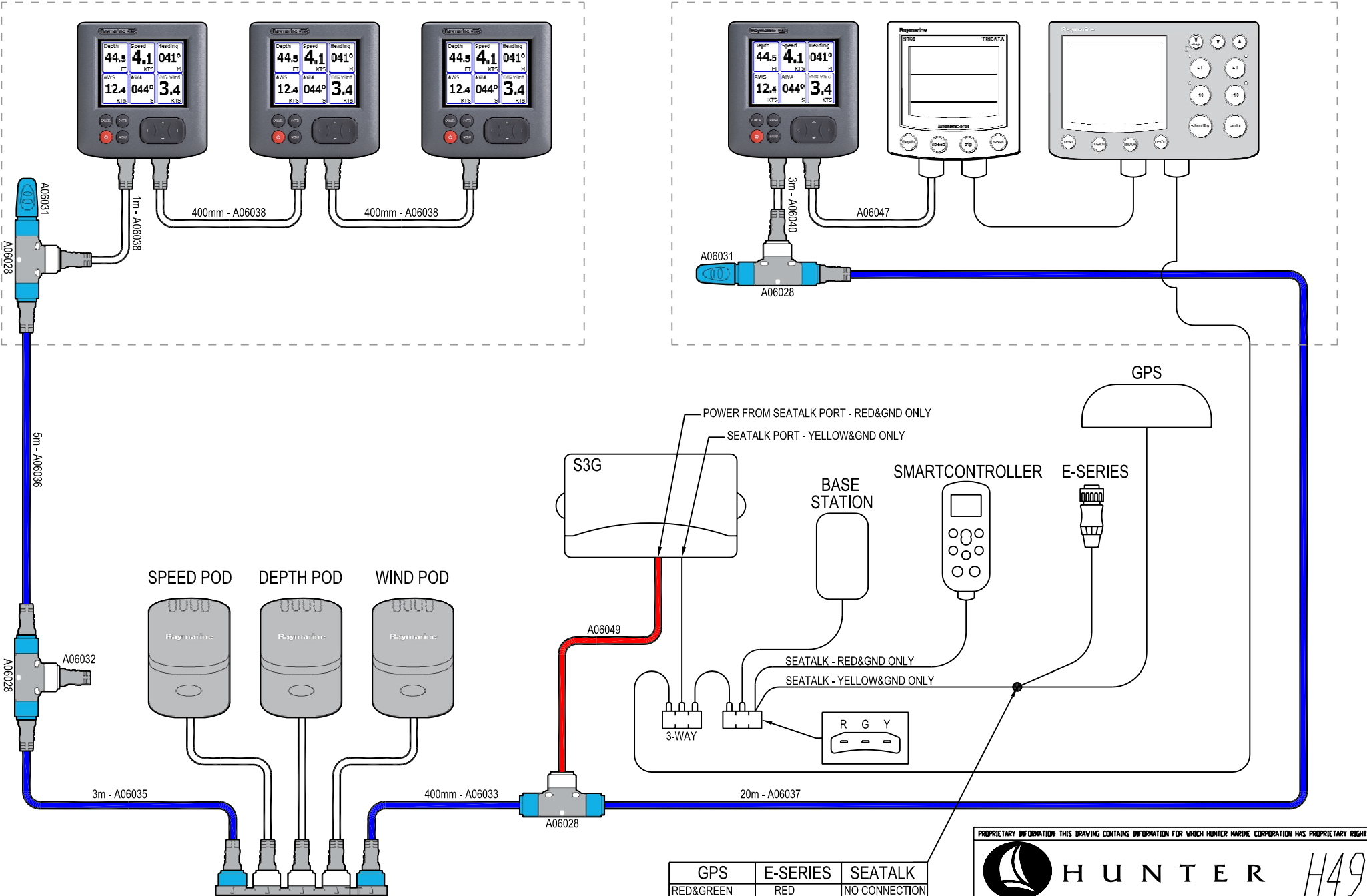


# SEAHOOD

# HELM



GPS	E-SERIES	SEATALK
RED&GREEN	RED	NO CONNECTION
YELLOW	YELLOW	YELLOW
SHIELD&BROWN	BLACK	BLACK

PROPRIETARY INFORMATION: THIS DRAWING CONTAINS INFORMATION FOR WHICH HUNTER MARINE CORPORATION HAS PROPRIETARY RIGHTS.



# HUNTER H49

DRAWING TITLE: **ST70 SYSTEM W/S3G**

DRAWN BY: **JLK**      DATE: **5-Nov-07**      SHEET **1** OF **1**

SCALE:      HUNTER PART NO.      REVISION      DRAW #

CHECKED