

# OPERATOR'S MANUAL SAFETY INSTRUCTIONS

for **ORIGO Alcohol Stoves**  
models **1500, 3000.**

**WARNING!**  
**WATER OR A CLASS A FIRE EXTINGUISHER WILL PUT OUT AN ALCOHOL FIRE.**

## SPECIAL SAFETY SECTION

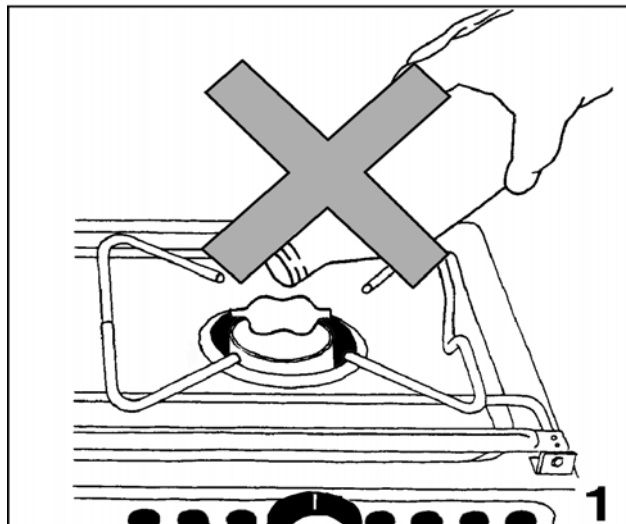
Carefully read and understand these instructions before operating your ORIGO stove. Save these instructions and review them periodically.

### Fuel Safety.

1. Use only denatured alcohol. Never use gasoline, kerosene, methanol, propane, charcoal lighter, diesel or other flammable substances or fuels. Uncontrollable operation and flare-ups can result and cause serious burns or personal injury.
2. Store fuel in an approved container away from the stove, the engine or other heat source.
3. Eliminate all sources of sparks or flames in the area where fuel is poured or stored.
4. Do not smoke while working with fuel.
5. Wipe up immediately any spilled fuel.

### Filling and Lighting Safety.

1. **Do not attempt to fill fuel tanks while they are still in stove.** Overfilling, spillage, or hot surfaces can cause serious burns and fires.
2. Never pour fuel through burner openings in top of stove. (Picture 1)
3. Remove fuel tanks from stove by carefully following instructions.
4. Move fuel tanks to a safe area away from all sparks, flames, or other heat sources before filling with fuel.
5. Make sure tanks are cool enough to be held in your bare hand before filling with fuel.
6. **Fuel may burn with almost invisible flame.** Make sure that flame and heat-glow are extinguished before filling the tanks. Flame or heat-glow can cause alcohol fire, resulting in serious burns and personal injury.
7. Do not overfill tanks. Filling instructions must be followed closely. Check the fuel by tilting the tank vertically (Picture 5). In this position, maximum fuel level occurs when fuel just begins to show in the recess inside the tank opening. Alcohol expands when heated. If the tank is overfilled, the surplus will overflow into the stove cavity and can cause uncontrollable burning.
8. Wipe tanks to remove any excess fuel before replacing tanks in the stove.
9. Light burners by holding a lit match or long lighter at the tank opening through the burner opening in the stovetop. As soon as the burner ignites, quickly remove hand to avoid burning your fingers. Long fireplace matches or an ORIGO lighter is recommended.



### Installation and Maintenance Safety.

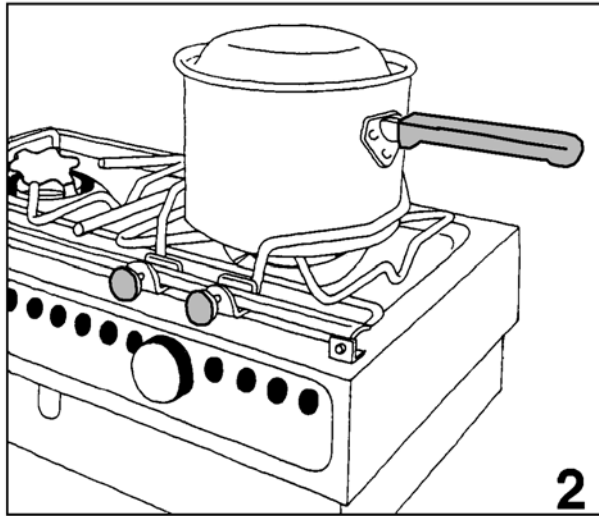
1. Place stove in a well-ventilated area away from all combustible material. Excessive draft must be avoided.
2. Do not hang or place towels, papers, curtains or other combustibles near an installed stove.
3. Keep all surfaces and interior parts free of grease, alcohol or other flammable substances.
4. To be sure of safe function of your ORIGO stove, do not use an oversize pot. Max. recommended pot diameter: 9" (230mm)
5. Make sure the appliance is securely in position when in operation as well as when not in use.

### General Safety.

**WARNING!**  
**BE EXTREMELY SAFETY CONSCIOUS AS WITH ANY APPLIANCE THAT OPERATES WITH AN OPEN FLAME. INSTRUCTIONS MUST BE FOLLOWED CLOSELY TO AVOID SEVERE BURNS OR CREATING A FIRE HAZARD.**

1. Make sure the stove is installed correctly. Repairs must be made by qualified service personnel. Ask your dealer to recommend qualified personnel.
2. Wear proper clothing when operating the stove. Never wear loose fitting or hanging garments as such can catch on fire.

3. Use ORIGO potholders to clamp pots to grate on the stove if there is any risk of motion while the stove is in use. Unsecured pots can shift or fall resulting in dangerous spills, which can cause serious burns. (Picture 2)



4. Allow all stove parts to cool to room temperature before touching or removing from the stove. When the burners are turned off, parts are still hot enough to cause serious burns for some time.
5. Know which knob controls which burner. Always turn to the full open position when igniting the burners. Then adjust the flame so it does not extend beyond the edge of the pot. Turn burner to "0" before removing the pot.
6. Never allow pot handles to extend beyond the edge of the stove. Turn pot handles inward, but not extending over other burners or so they are tilted when the stove moves, if gimbals are used. These precautions will help minimize the possibility of spillage, ignition of flammable materials, and/or serious burns.
7. Watch closely when heating fat or grease. Fat or grease will catch on fire if allowed to become too hot.
8. Avoid grease fires by cleaning after each use to keep all parts free of grease, particularly the area around the burners.
9. Never leave children alone or unattended in the area where the stove is in use. Never allow a child to sit or stand on or play with any part of the stove. As children grow, teach the proper, safe use of all appliances.
10. Do not store items of interest to children in cabinets above or to the side of a stove. Children climbing on or around the stove to reach such items can be seriously injured.
11. Never use the stove to heat or warm the cabin.
12. Use dry potholders only when handling a pot. Wet or damp potholders used on hot surfaces can result in steam burns. Do not allow the potholder to touch heating areas. A towel or bulky cloth used instead of a potholder can catch on fire.
13. Never leave the stove unattended while the burners are in operation. Boilovers can cause excessive smoke; greasy spillovers can cause fires; and a pan, which has boiled dry, can melt or crack.
14. Do not allow clothing or other flammable materials to come close to areas near the burners, or to the interior surfaces of the oven until they have had sufficient time to cool.
15. Do not place plastic items such as salt and peppershakers, spoon holders, wrappings or other utensils on top of the stove when it is in use as these can melt or ignite. Potholders, towels, or wooden spoons will catch on fire if allowed to come too close to a flame.
16. Do not store flammable materials in the oven or near the burners. Keep the stove free of all flammable materials.

17. Never modify or alter the construction of the stove including removal of panels, wire covers, or any other permanent part of the product.

**WARNING!**  
**OPEN FLAME COOKING APPLIANCES CONSUME OXYGEN, THIS CAN CAUSE ASPHYXIATION OR DEATH.**  
**MAINTAIN OPEN VENTILATION.**

## INSTRUCTIONS

These instructions apply to the following stoves:  
**Model: 1500 and 3000.**

These models of ORIGO stoves are equipped with non-pressurized alcohol burners.  
Alcohol is absorbed into the tanks in a non-flammable material. These units are not equipped with valves, which can develop leaks, or with other components requiring regular service, making safer and easier to maintain units.

**WARNING!**  
**SAFETY PRECAUTIONS ARE REQUIRED AS ALWAYS WHEN WORKING WITH AN EXPOSED FLAME. CAREFULLY READ AND UNDERSTAND ALL INSTRUCTIONS BEFORE USING YOUR NEW ORIGO STOVE.**

### Location of your ORIGO Stove.

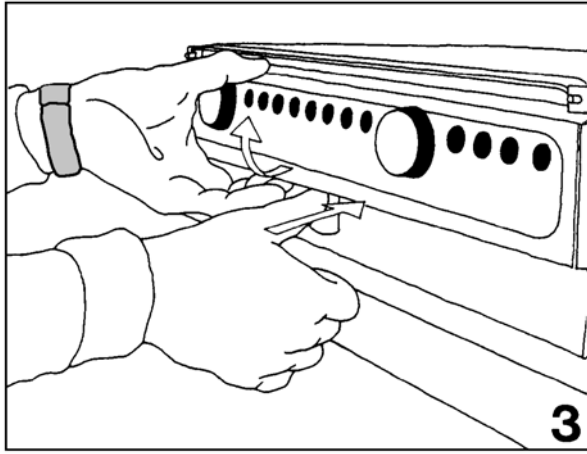
Your stove must be located in a well-ventilated space.

- Avoid excessive draft.
- Locate so that maximum protection against wind is obtained if the stove is to be used in an open cockpit or other open area.
- Mount the stove as far away from combustible materials as possible.

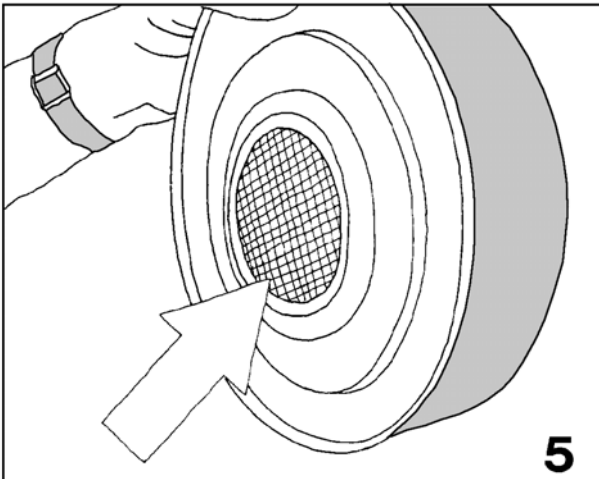
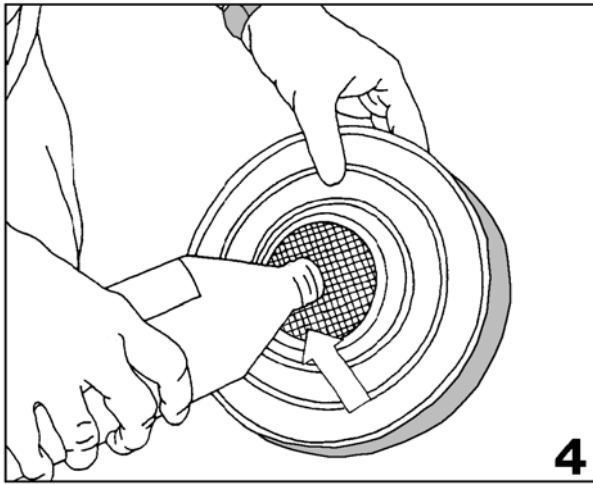
### Filling the Fuel Tanks.

The fuel tanks must be lifted out of the stove and moved away from open flames or hot objects before filling with fuel.

- Make sure all burners are turned off, otherwise top can not be opened.
- Allow the stove to cool to room temperature.
- Pull the forward lower edge of the stovetop slightly forward, while simultaneously pressing the catch. (Picture 3)
- Make sure that flames are completely extinguished and that there is no heat-glow on top of the tanks, and then lift out fuel tanks.
- Hold each tank (one at a time) as shown (Picture 4), then pour alcohol directly into the opening covered by wire mesh. Maximum capacity from empty to full is 1 quart.
- Check fuel level by tilting the tank on its side vertically as shown. (Picture 5)
- Hold in this position a few moments. When fuel is visible in recess, tank is filled to maximum recommended level.  
**Do not overfill.**



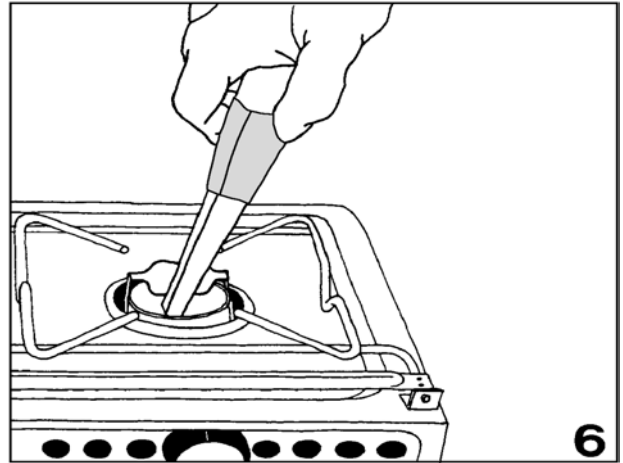
**NOTE:** It is not necessary to fill tank completely to operate. Stove will operate with less than maximum capacity of fuel.



- Wipe tank dry and replace tank in stove making sure it is fitted properly in the mounting.
- Closing: Knobs in 0 position, otherwise top will not fold! Fold down the stove top, the catch will lock. (Make certain that the regulating plates cover the burner openings so that stovetop is level.)

### To Light the Alcohol Burner.

- An ORIGO lighter is recommended for lighting purposes.
- Turn knob to the maximum position to open the burner.
  - Place a long match or long butane lighter at tank opening. (Picture 6)



**NOTE:** If stove is warm from previous use, burner may ignite, then immediately go out. In this event, blow down into the burner opening to dissipate vapor and relight as above.

### To Extinguish the Alcohol Burner.

- Turn knob all the way to "0".
- Wait a moment, then turn burner back towards "Max" to make sure flame is out.
- Turn knob to "0" again.

### Gaskets.

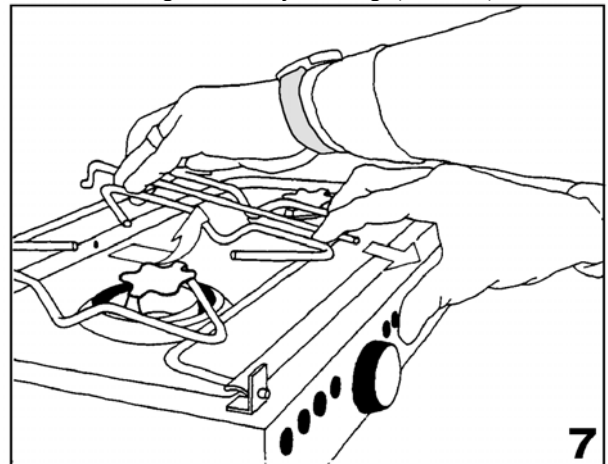
The stove is equipped with a rubber gasket for each fuel tank. Gaskets are to be installed when the stove will not be operated for a period of time and will protect against alcohol evaporation.

To install:

- Open stovetop and make sure all parts are cool.
- Place the gaskets over the tank openings.
- Fold down the stovetop to horizontal position and open the burners to lock the top in closed position.

### Cleaning.

- Remove the grate for easy cleaning. (Picture 7)



# INSTALLATION.

## WARNING!

**PLACE UNIT IN A WELL-VENTILATED AREA AWAY FROM ALL COMBUSTIBLE MATERIALS. INSTALL A CLASS B-1 FIRE EXTINGUISHER IMMEDIATELY AT HAND.**

## Fitting of the Stove.

Your stove should be located in a well-ventilated space. Avoid excessive draft. If you fit in an open cockpit, or other open area, wind protection must be provided.

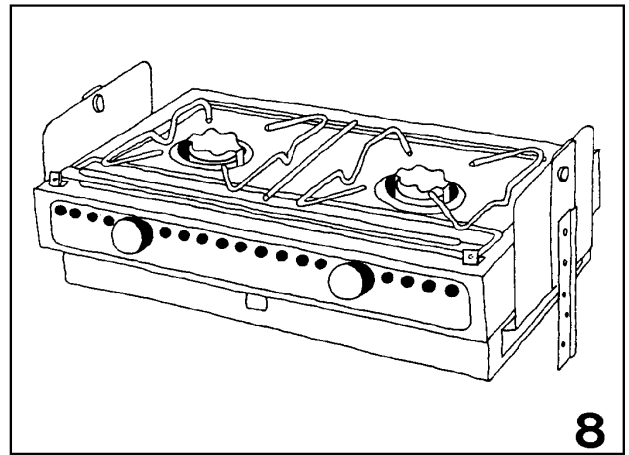
The stove shall be installed in accordance with national regulations. In USA it is advisable to follow the ABYC recommendations.

## Gimbals.

Gimbals for ORIGO 1500 and 3000 are optional.

Your ORIGO 1500 and 3000 gimbals should be mounted as follows: The gimbal sideplates are fastened to the lower body of the stove by enclosed nuts and bolts (Picture 8) they can only be attached in one way.

The gimbal arms, however, can be turned to enable the stove to be lowered forwards or backwards. Before mounting the gimbal arms, make a test by attaching them to the gimbal plates in order to determine which alternative is right for your boat. Remember that the stovetop must be raised to full upright position in order to remove the fuel tanks for filling, when the gimbals are in down position. Also be sure that your ORIGO 1500 and 3000 stove has sufficient room to swing freely when gimbals are used. Take care that stove is not mounted too close to combustible materials, or materials likely to deteriorate from the heat. When lifting the stove into position you fasten the gimbal side plates to the gimbal arms at the pivot point using the two special thumbscrews supplied. Be sure that the installation is done in the correct sequence. Fibre washers with round holes must be placed on the gimbal arm side. Then hang stove. Place fibre washers with oblong hole between body of stove and gimbal plate. They are cut to fit the end of the plate, and fasten the screws. Adjust the tension of the screws to the desired friction.



## Technical Data.

Height: approx. 5 3/8" (137mm) incl. cooking grid  
Depth: approx. 10 7/8" (275mm)  
Length: approx. 18 1/4" (464mm)  
(1500, 9 5/6" 236mm)  
Tank volumes: approx. 2,5 pints each (1,2 L)  
Fuel: Denatured alcohol, Methylated spirit

Optional extras  
Gimbals  
Potholders

## DOMETIC AB

Internet [www.dometic.com](http://www.dometic.com)  
Phone +46 35 165700  
Fax +46 35 165710  
Olofsdalsvägen 15  
SE-302 41 Halmstad, Sweden

Dometic Environmental Corporation  
2000 N. Andrews Avenue Ext.  
Pompano Beach, FL 33069, USA  
Phone: (954)973-2477  
Fax: (954)979-4414