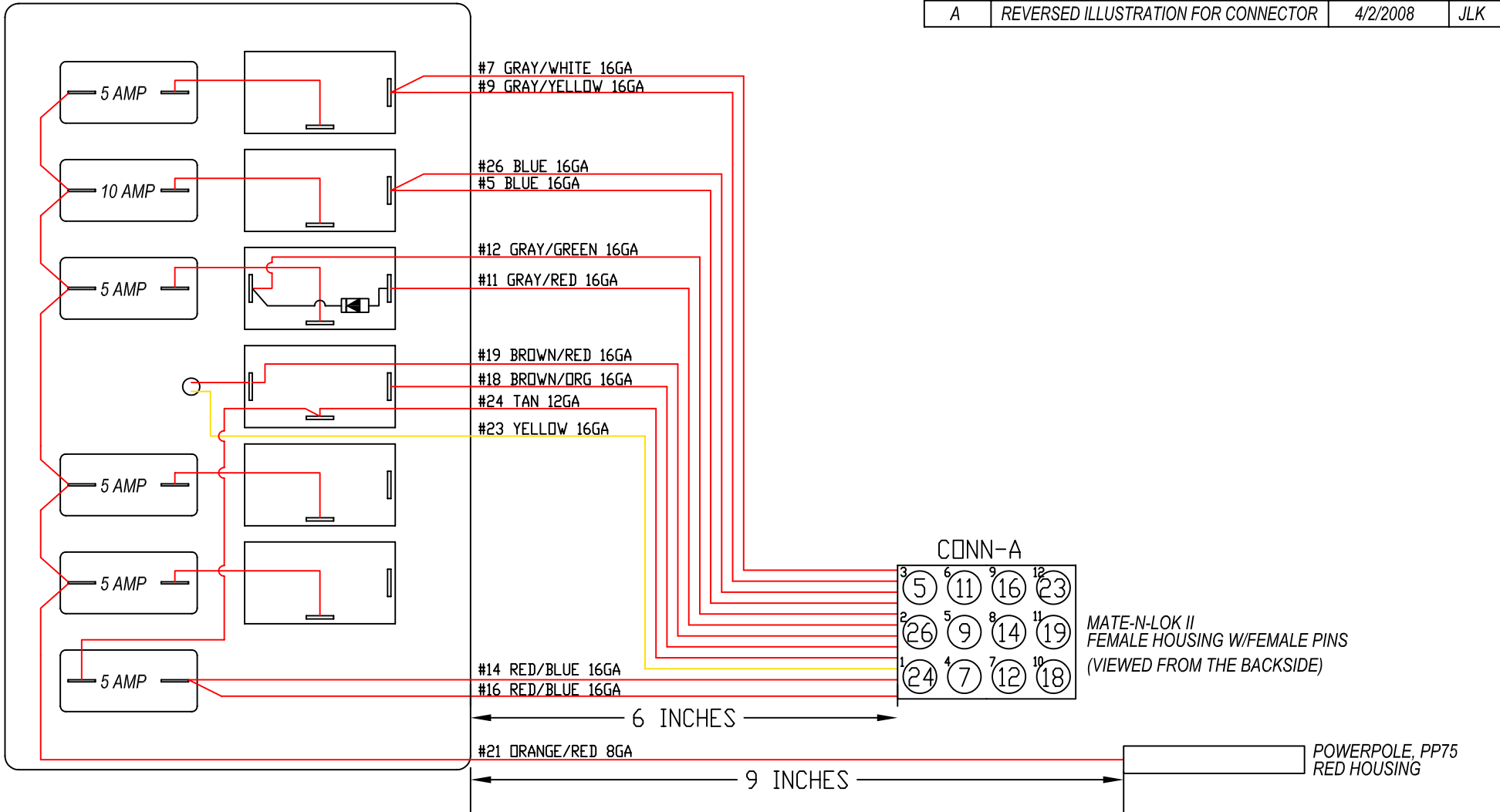
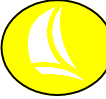


SYMBOL	REVISIONS	DATE	ENG
A	REVERSED ILLUSTRATION FOR CONNECTOR	4/2/2008	JLK



PROPRIETARY INFORMATION THIS DRAWING CONTAINS INFORMATION FOR WHICH HUNTER MARINE CORPORATION HAS PROPRIETARY RIGHTS



HUNTER GEN

DRAWING TITLE:
25 DC PANEL, W/CONNECTORS

DRAWN BY: **JLK** DATE: **30-Nov-04** SHEET **1** OF **1**

SCALE: **1.000** HUNTER PART NO. **TBD** REVISION **-** DRAW # **25_DC_PANEL_SCH**

CHECKED